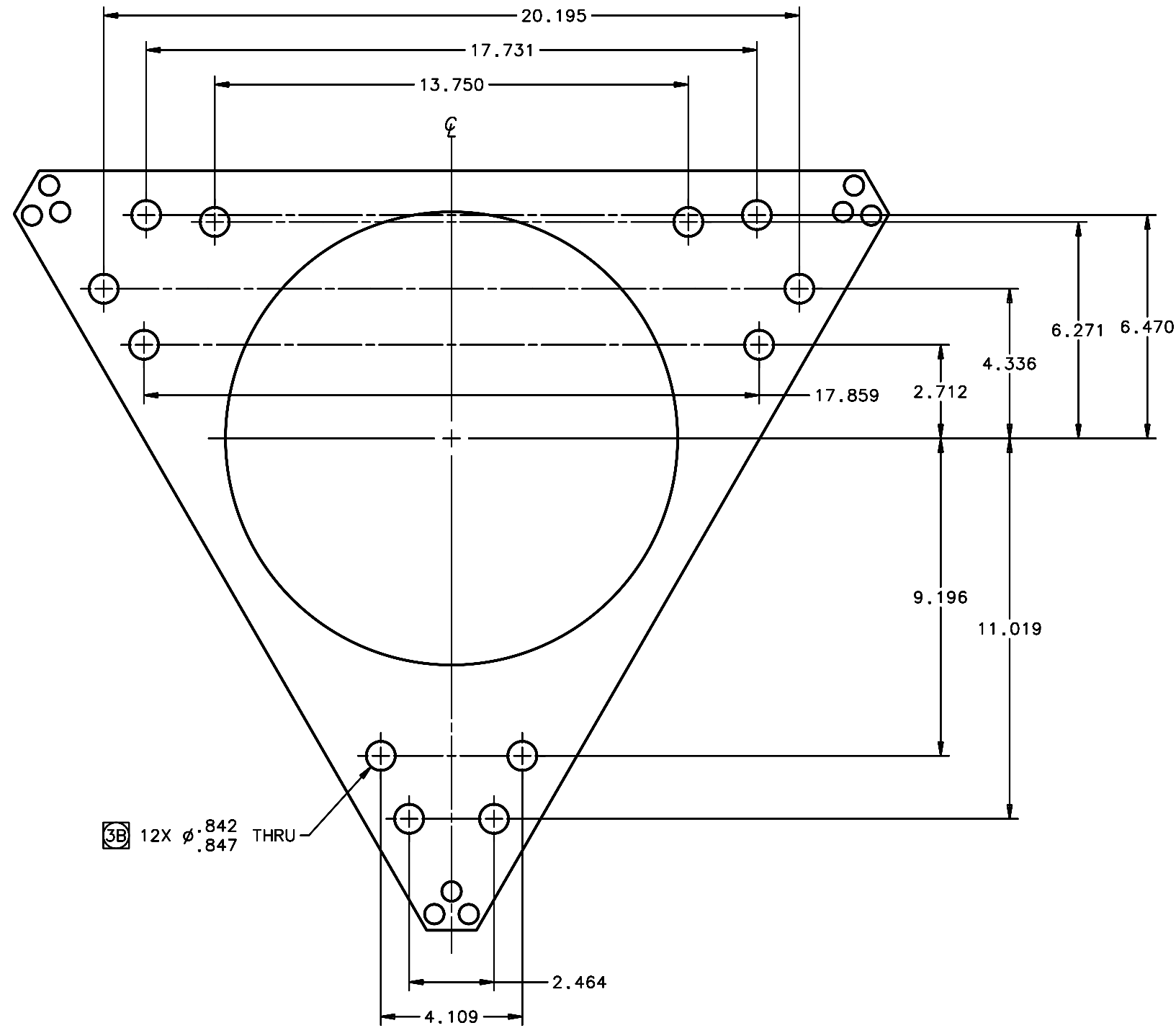


REVISIONS				
LTR	DESCRIPTION	DATE	REVISED BY	APPROVED
A	INITIAL RELEASE	12/7/05	R. NAGY	J. BECHTOLD



3B 12X ϕ .842 THRU
 ϕ .847

DETAIL A
 (SHT 1)
 SCALE 1:2

DO NOT SCALE DRAWING		THIS DRAWING CREATED IN:		Steward Observatory, University of Arizona	
INTERPRET DIMENSIONS AND TOLERANCES IN ACCORDANCE WITH ASME Y14.5M-94		ACAD <input type="checkbox"/>	MECH <input type="checkbox"/>	IDEAS <input checked="" type="checkbox"/>	933 N. Cherry Avenue, Tucson, AZ 85721 (520)621-7659
TOLERANCES UNLESS OTHERWISE SPECIFIED		DESIGNED BY: D. DEAN		DATE: 3/5/04	CATEGORY: MMT
LINEAR .XX = ±.03		DRAWN BY: R. NAGY		9/7/05	PROJECT: MAESTRO
ANGULAR .XXX = ±.010		CHECKED BY: J. BECHTOLD		10/19/05	TITLE: TRUSS SPACE FRAME LENS CAN SUPPORT BULKHEAD PANEL (W/O INSERTS)
DIAMETRICAL SEE SPEC S-002		APPROVED: J. BECHTOLD		12/7/05	
DIMENSIONS ARE IN INCHES / DIMENSIONS IN 1:1 ARE METRIC		APPROVED: R. WARNER		12/7/05	
MATERIAL		14999	MMT-MAESTRO	APPROVED:	PLOT SIZE SCALE: D -
1		NEXT ASSY	USED ON	APPROVED:	DRAWING NUMBER: 13246
FINISH NONE		ASSEMBLY APPLICATION		CURRENT TIME/DATE/FILE LOCATION:	REVISION: A
				DRAWING ARCHIVE LOCATION: http://dovinci.as.arizona.edu/ccad/default.html	SHEET 2 OF 2