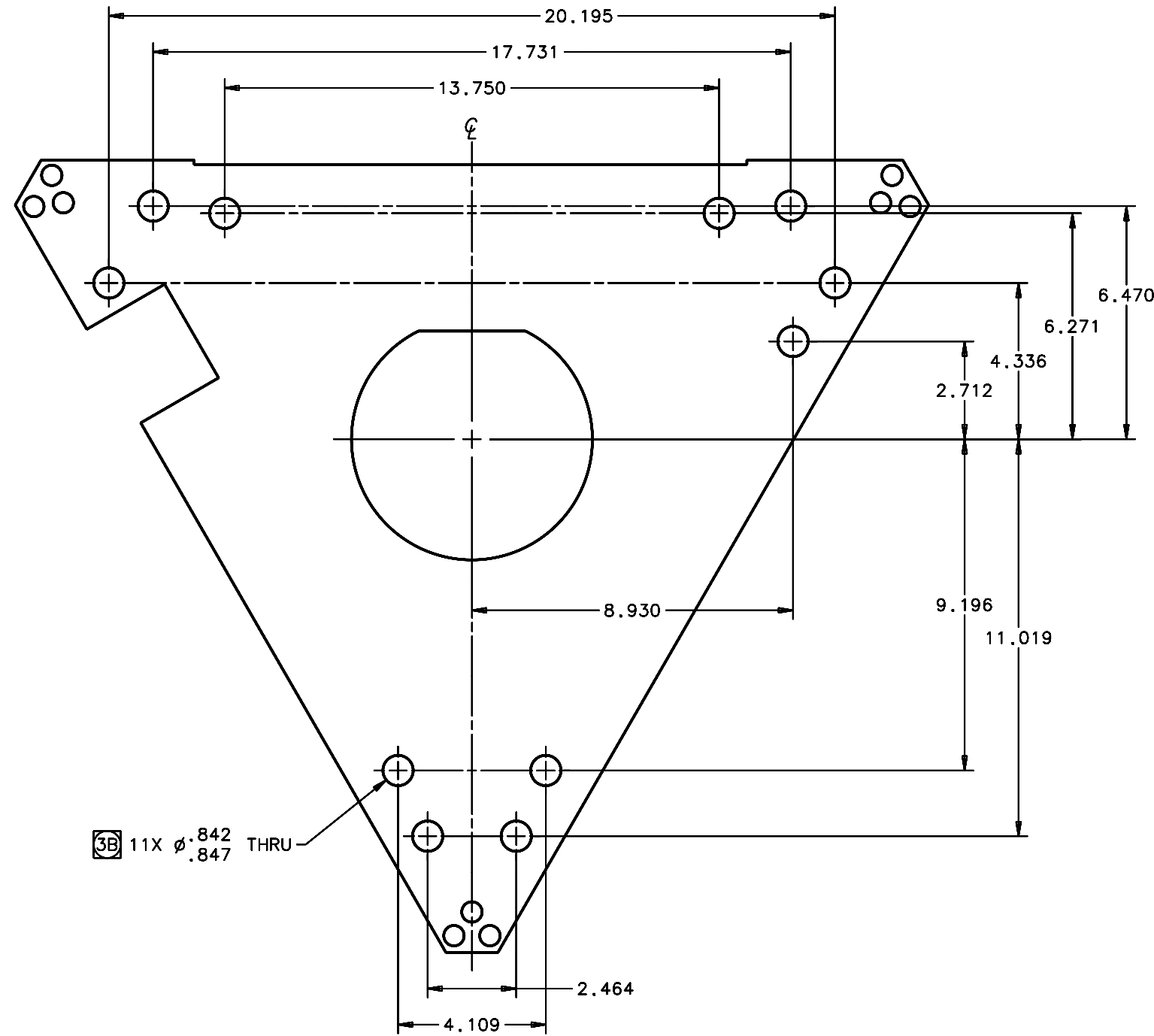


REVISIONS				
LTR	DESCRIPTION	DATE	REVISED BY	APPROVED
A	INITIAL RELEASE	12/7/05	R. NAGY	J. BECHTOLD



3B 11X  $\phi$ .842 THRU

**DETAIL A**  
(SHT 1)  
SCALE 1:2

DO NOT SCALE DRAWING INTERPRET DIMENSIONS AND TOLERANCES IN ACCORDANCE WITH ASME Y14.5M-94		THIS DRAWING CREATED IN: ACAD <input type="checkbox"/> MECH <input type="checkbox"/> IDEAS <input checked="" type="checkbox"/>		Steward Observatory, University of Arizona 933 N. Cherry Avenue, Tucson, AZ 85721 (520)621-7659	
TOLERANCES UNLESS OTHERWISE SPECIFIED LINEAR .X = ±.06 .XX = ±.03 .XXX = ±.010 ANGULAR ± 1° DIAMETRICAL SEE SPEC S-002		DESIGNED BY: D. DEAN DATE: 9/22/03		CATEGORY: MMT	
MATERIAL 1		DRAWN BY: R. NAGY DATE: 10/22/03		PROJECT: MAESTRO	
FINISH NONE		CHECKED BY: J. BECHTOLD DATE: 10/19/05		TITLE: TRUSS SPACE FRAME INJECTION OPTICS BULKHEAD PANEL (W/O INSERTS)	
ASSEMBLY APPLICATION		APPROVED: R. WARNER DATE: 12/7/05		PLOT SIZE SCALE: D -	
		APPROVED:		DRAWING NUMBER: 13245	
		CURRENT TIME/DATE/FILE LOCATION:		REVISION: A	
		DRAWING ARCHIVE LOCATION: <a href="http://dovinci1.as.arizona.edu/ocod/default.html">http://dovinci1.as.arizona.edu/ocod/default.html</a>		SHEET 2 OF 2	