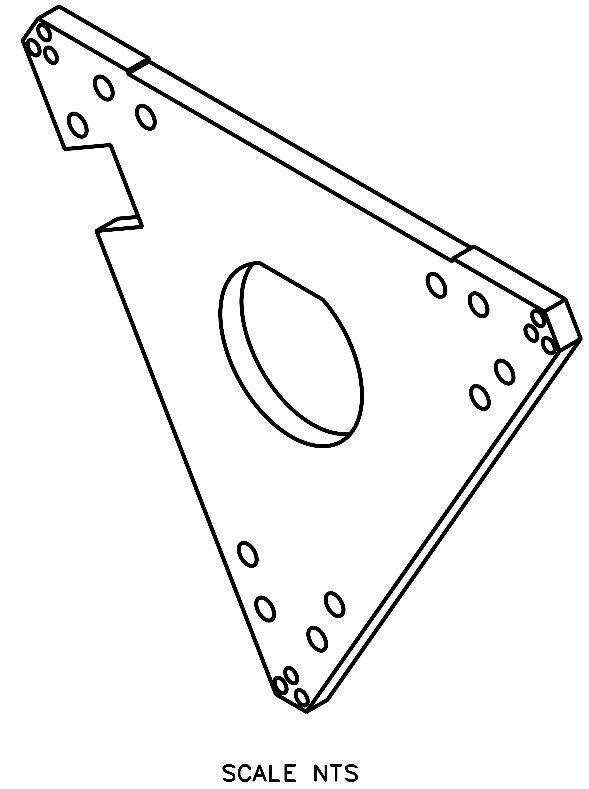
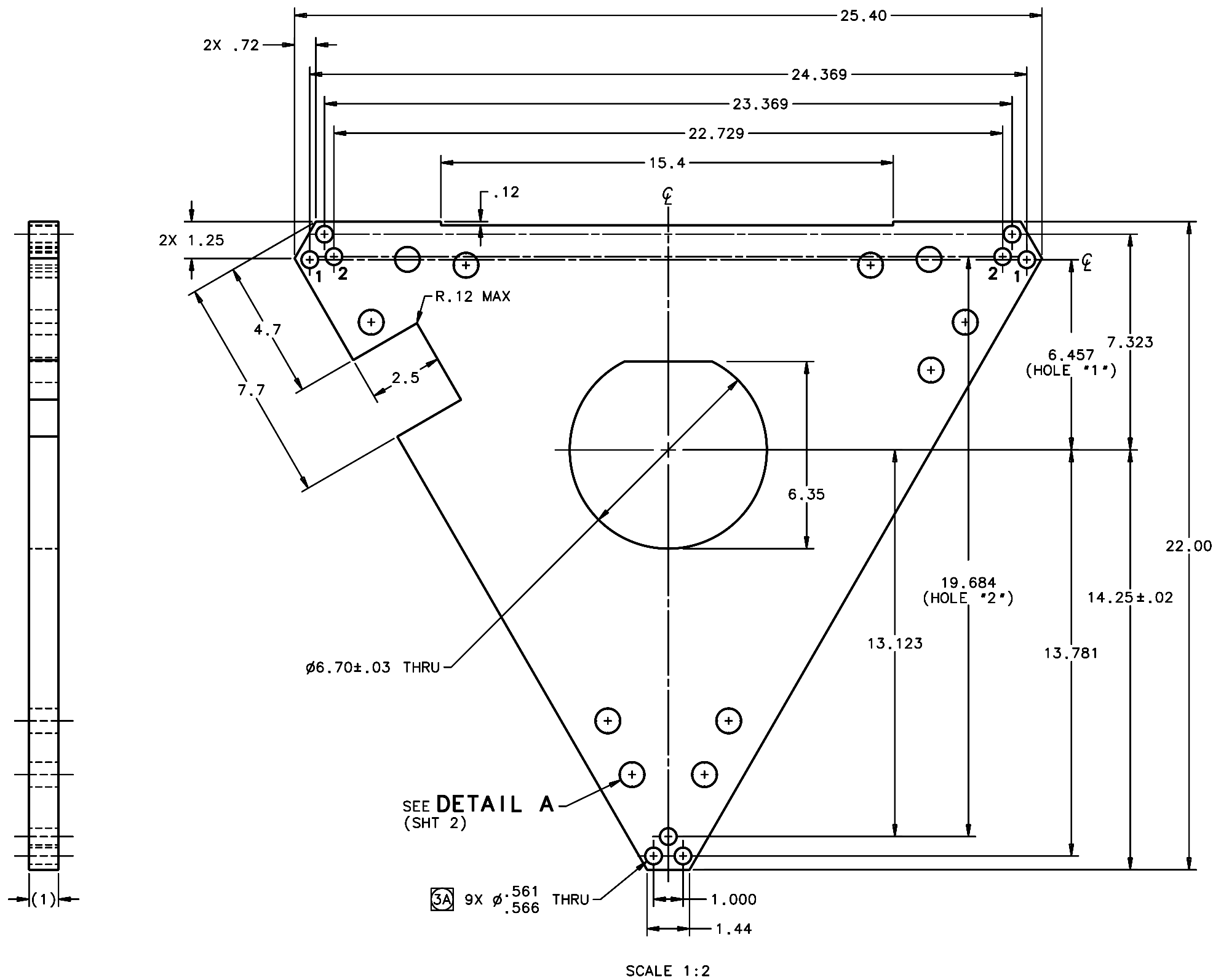


REVISIONS				
LTR	DESCRIPTION	DATE	REVISED BY	APPROVED
A	INITIAL RELEASE	12/7/05	R. NAGY	J. BECHTOLD



- NOTES:
- MATERIAL: MAKE FROM BLANK AS CUT FROM 13594 COMPOSITE PANEL PART LAYUOT.
 - BREAK SHARP EDGES & DEBURR.
 - NOTED HOLES ARE FOR: A. NAS1834A3-1000
B. NAS1834A6-1000
INSERTS AS SPECIFIED PER NEXT ASSEMBLY.
ALSO SEE DOCUMENT NO. SP14038 FOR ANY ADDITIONAL HOLE PREPARATION DATA.
 - QTY REQD: 1.

DO NOT SCALE DRAWING INTERPRET DIMENSIONS AND TOLERANCES IN ACCORDANCE WITH ASME Y14.5M-94		THIS DRAWING CREATED IN: ACAD <input type="checkbox"/> MECH <input type="checkbox"/> IDEAS <input checked="" type="checkbox"/>		Steward Observatory, University of Arizona 933 N. Cherry Avenue, Tucson, AZ 85721 (520)621-7659	
TOLERANCES UNLESS OTHERWISE SPECIFIED LINEAR .X = ±.06 .XX = ±.03 .XXX = ±.010 ANGULAR ± 1° DIAMETRICAL SEE SPEC S-002		DESIGNED BY: D. DEAN DATE: 9/22/03 CATEGORY: MMT		PROJECT: MAESTRO	
MATERIAL ①		DRAWN BY: R. NAGY 10/22/03		TITLE: TRUSS SPACE FRAME INJECTION OPTICS BULKHEAD PANEL (W/O INSERTS)	
FINISH NONE		CHECKED BY: J. BECHTOLD 10/19/05		DRAWING NUMBER: 13245	
ASSEMBLY APPLICATION		APPROVED BY: J. BECHTOLD 12/7/05		REVISION: A	
		APPROVED BY: R. WARNER 12/7/05		PLOT SIZE SCALE: D -	
		CURRENT TIME/DATE/FILE LOCATION:		SHEET 1 OF 2	
		DRAWING ARCHIVE LOCATION: http://dovinc1.as.arizona.edu/ocod/default.html			