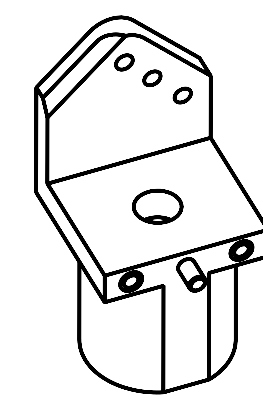
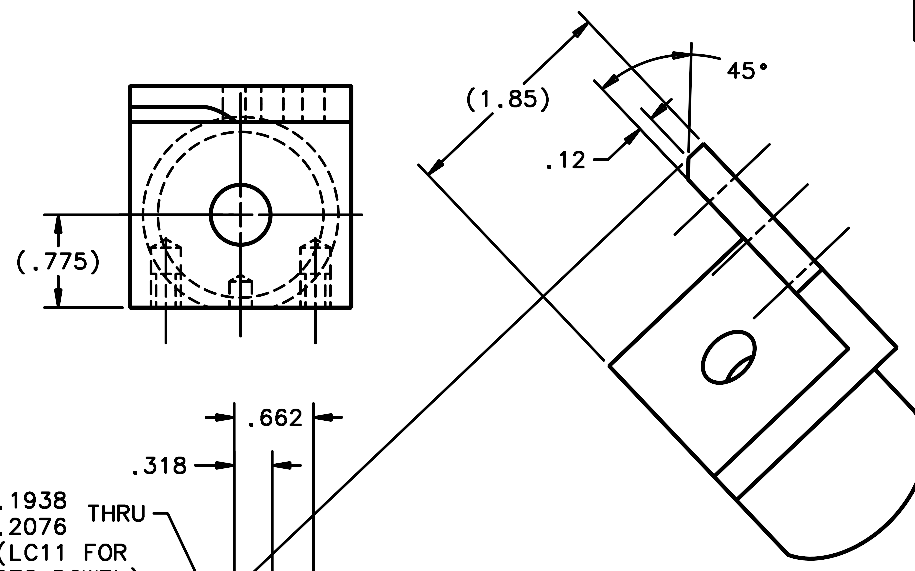
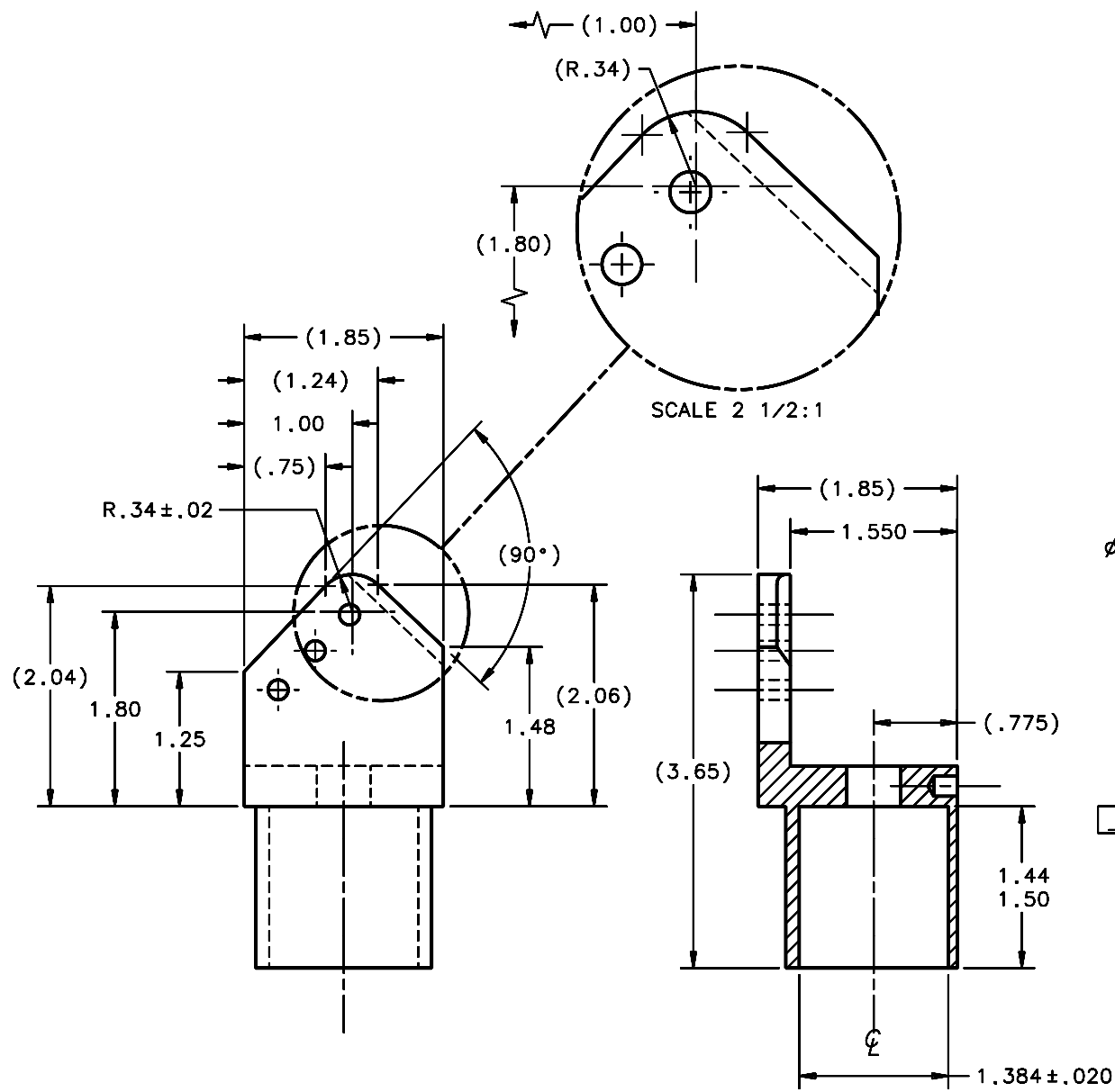
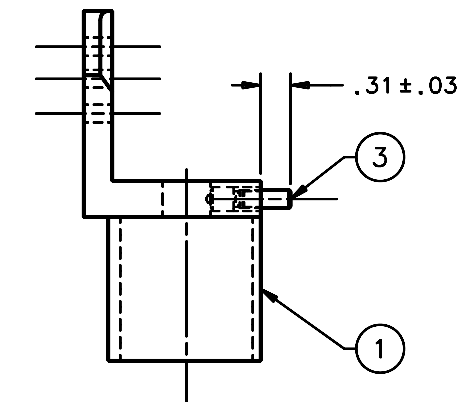
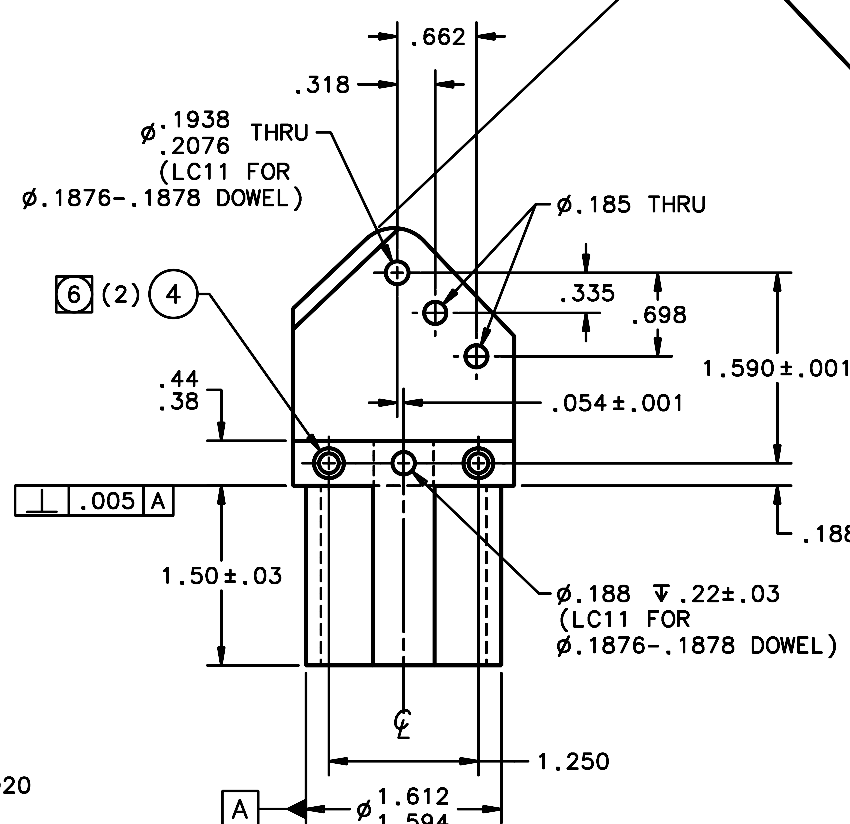


REVISIONS				
LTR	DESCRIPTION	DATE	REVISED BY	APPROVED
A	INITIAL RELEASE	10/19/05	R. NAGY	J. BECHTOLD

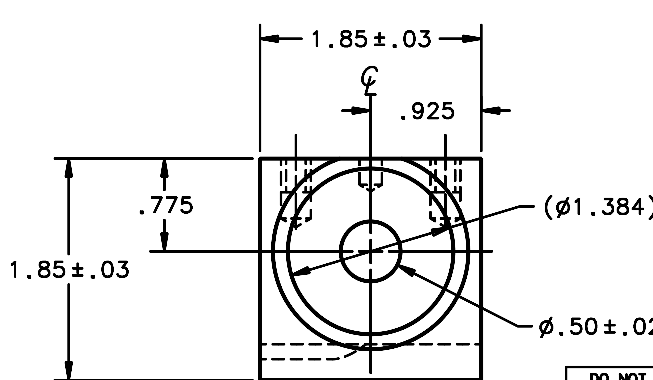


SCALE NTS



ASSEMBLY
SCALE 1:1

① "RL" END FITTING
SCALE 1 1/4:1



OPPOSITE HAND OF 13241

QTY PER ASSY	PART NUMBER	PART DESCRIPTION	MANUFACTURER OF MAT'L SPEC	ITEM NO.
2	94165A423	INSERT, THREADED OD (1/4-28), EXT NYLON LOCK, 8-32 x 9/32 LG, 18-8 SS	McMASTER-CARR	4
1	90145A505	PIN, DOWEL, STANDARD, UNHARDENED, φ3/16 (.1876-.1878) x 1/2 LG, 18-8 SS	McMASTER-CARR	3
1	13243-5	"RL" END FITTING		1

LIST OF MATERIALS
Steward Observatory, University of Arizona
933 N. Cherry Avenue, Tucson, AZ 85721 (520)621-7659

- NOTES:
- BREAK SHARP EDGES & DEBURR.
 - MACHINED SURFACE FINISH TO BE 125 RMS OR BETTER.
 - MACHINED FILLETS TO BE .015 MAX.
 - ANODIZE PER MIL-A-8625, TYPE II, CLASS 2 - BLACK.
 - ALL DIMENSIONS APPLICABLE BEFORE ANODIZING.
 - INSTALL INSERTS PER MANUFACTURER'S DIRECTIONS. FOR THIS APPLICATION, INSERT TAP DRILL MUST BE .50 MIN DEEP.
 - QTY REQD: 2.

DO NOT SCALE DRAWING	THIS DRAWING CREATED IN:	Steward Observatory, University of Arizona	
INTERPRET DIMENSIONS AND TOLERANCES IN ACCORDANCE WITH ASME Y14.5M-94	ACAD <input type="checkbox"/> MECH <input type="checkbox"/> IDEAS <input checked="" type="checkbox"/>	933 N. Cherry Avenue, Tucson, AZ 85721 (520)621-7659	
TOLERANCES UNLESS OTHERWISE SPECIFIED	DESIGNED BY: D. DEAN	DATE: 9/3/03	CATEGORY: MMT
LINEAR: .X = NA, .XX = ±.01, .XXX = ±.005	DRAWN BY: R. NAGY	7/27/05	PROJECT: MAESTRO
ANGULAR: ± 1°	CHECKED BY: J. BECHTOLD	10/19/05	TITLE: TRUSS SPACE FRAME
DIAMETRICAL: SEE SPEC S-002	APPROVED: J. BECHTOLD	10/19/05	DIAGONAL BRACE
DIMENSIONS ARE IN INCHES / DIMENSIONS IN 1 ARE METRIC	APPROVED: R. WARNER	10/19/05	"RL" END FITTING
MATERIAL: 6061-T6 Al	APPROVED:	PLOT SIZE SCALE: D -	DRAWING NUMBER: 13243
FINISH: ④	16008 MMT-MAESTRO	APPROVED:	REVISION: A
ASSEMBLY APPLICATION	NEXT ASSY USED ON	CURRENT TIME/DATE/FILE LOCATION:	SHEET 1 OF 1
		DRAWING ARCHIVE LOCATION: http://dov.incl.us.arizona.edu/ocod/default.html	