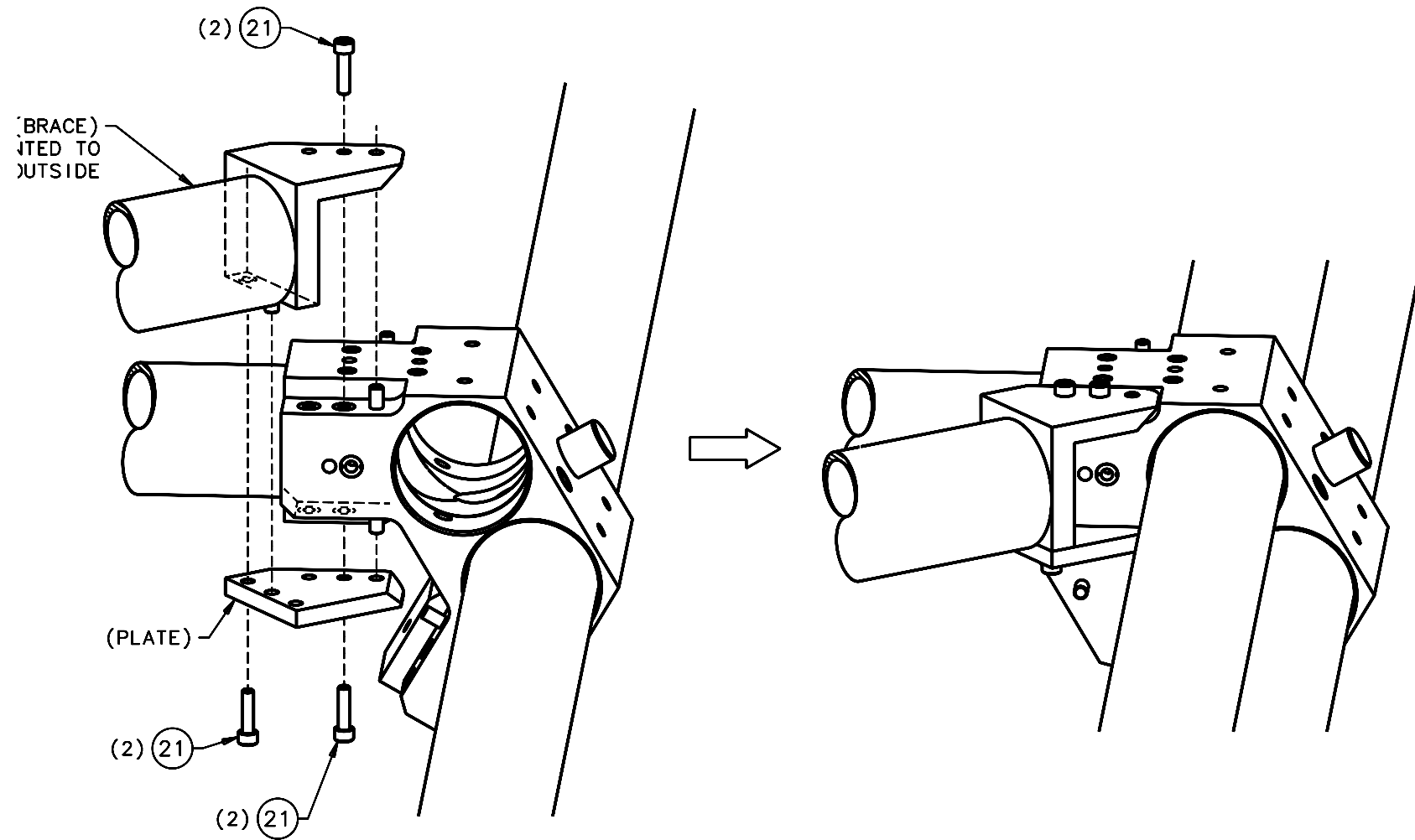
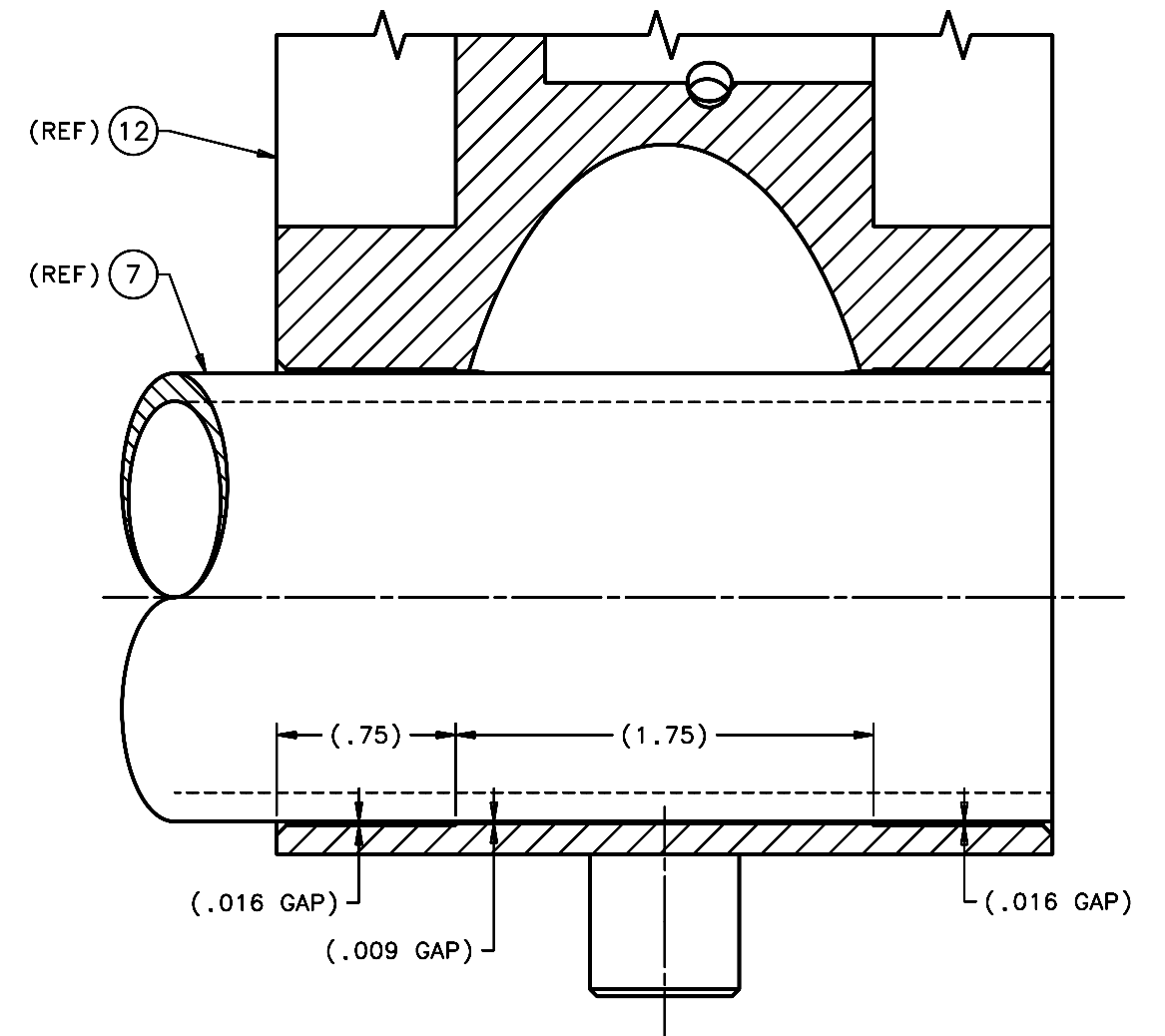


REVISIONS				
LTR	DESCRIPTION	DATE	REVISED BY	APPROVED
A	INITIAL RELEASE	12/7/05	R. NAGY	J. BECHTOLD



(20X) **DETAIL E**
 (SHT 1)
 SCALE NTS
 TYP BRACE & PLATE ATTACHMENT



SECTION G-G
 (SHT 6)
 SCALE 2 1/2:1

DO NOT SCALE DRAWING INTERPRET DIMENSIONS AND TOLERANCES IN ACCORDANCE WITH ASME Y14.5M-94	THIS DRAWING CREATED IN:			Steward Observatory, University of Arizona 933 N. Cherry Avenue, Tucson, AZ 85721 (520)621-7659			
	ACAD <input type="checkbox"/>	MECH <input type="checkbox"/>	IDEAS <input checked="" type="checkbox"/>	DESIGNED BY: D. DEAN	DATE: 11/7/02	CATEGORY: MMT	
TOLERANCES UNLESS OTHERWISE SPECIFIED LINEAR ANGULAR .1 NA .05 NA .02 NA DIAMETRICAL SEE SPEC S-002	TBD	MMT-MAESTRO	DRAWN BY: R. NAGY	10/7/05	PROJECT: MAESTRO		
			CHECKED BY: J. BECHTOLD	10/19/05	TITLE:		
			APPROVED: J. BECHTOLD	12/7/05	TRUSS SPACE FRAME ASSEMBLY		
			APPROVED: R. WARNER	12/7/05			
MATERIAL			APPROVED:		PLOT SIZE SCALE:	DRAWING NUMBER:	REVISION:
-					D -	13234	A
FINISH	ASSEMBLY APPLICATION	CURRENT TIME/DATE/FILE LOCATION:				DRAWING ARCHIVE LOCATION: http://dovinci.as.arizona.edu/ccad/default.html	
-						SHEET 4 OF 6	