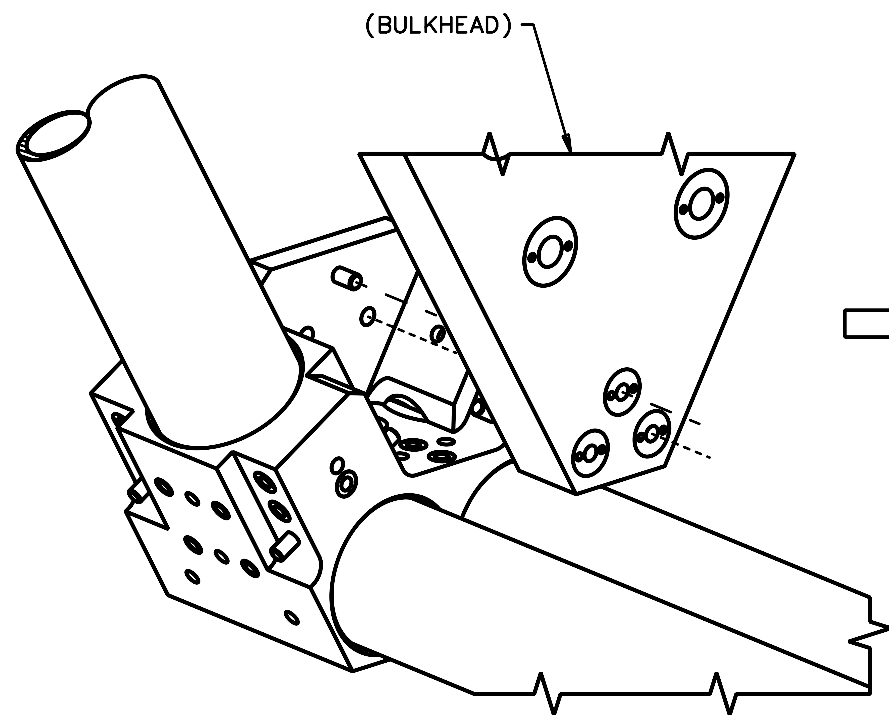
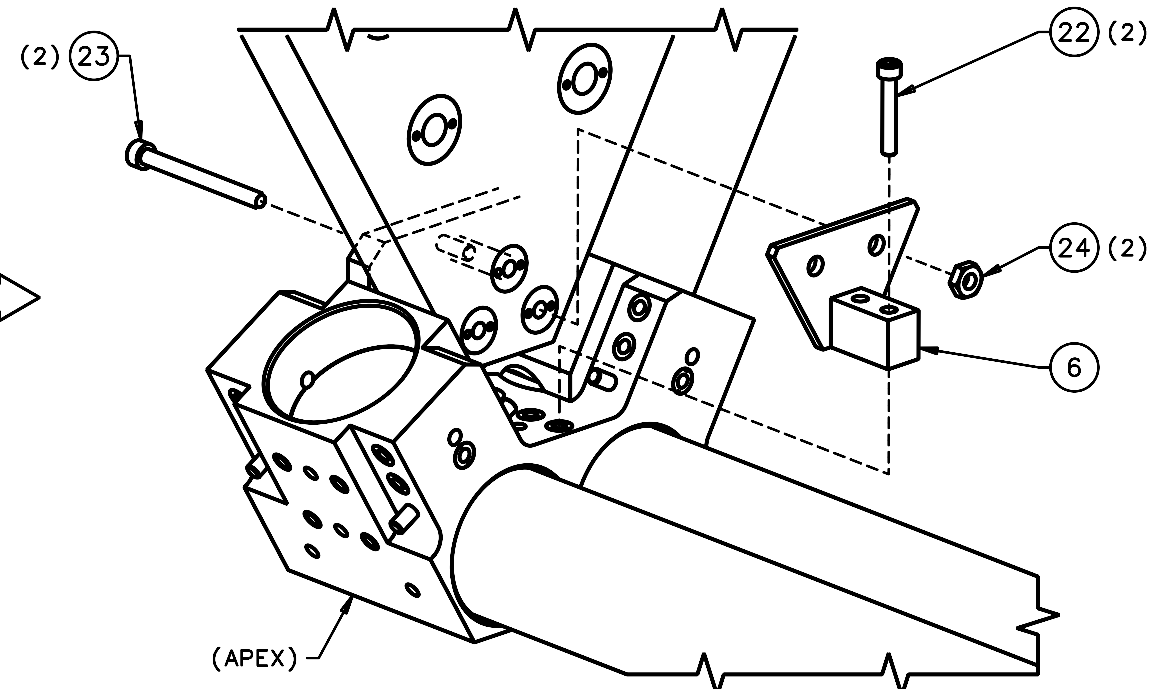


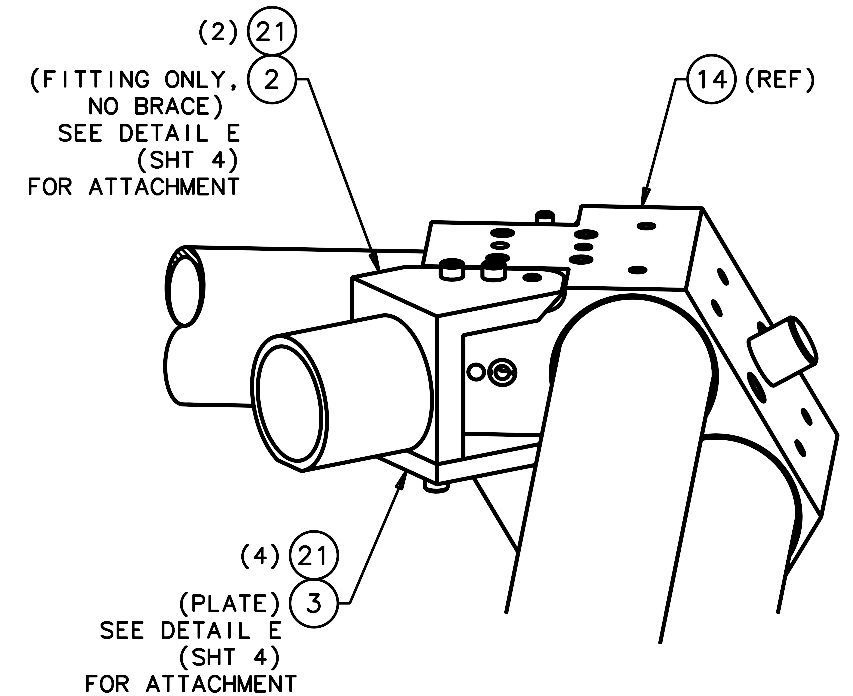
REVISIONS				
LTR	DESCRIPTION	DATE	REVISED BY	APPROVED
A	INITIAL RELEASE	12/7/05	R. NAGY	J. BECHTOLD



(3X) INSTALLATION



(3X) ATTACHMENT PER BULKHEAD



**DETAIL D**  
(SHT 1)  
SCALE NTS  
ROTATED;  
ASSEMBLE LOOSE FOR NEXT ASSEMBLY

**DETAIL C**  
(SHT 1)  
SCALE NTS  
TYP BULKHEAD INSTALLATION & ATTACHMENT

DO NOT SCALE DRAWING INTERPRET DIMENSIONS AND TOLERANCES IN ACCORDANCE WITH ASME Y14.5M-94	THIS DRAWING CREATED IN:			Steward Observatory, University of Arizona 933 N. Cherry Avenue, Tucson, AZ 85721 (520)621-7659			
	ACAD	MECH	IDEAS	DESIGNED BY: D. DEAN	DATE: 11/7/02	CATEGORY: MMT	
TOLERANCES UNLESS OTHERWISE SPECIFIED LINEAR            ANGULAR .1                 NA .05               NA .02               NA DIAMETRICAL SEE SPEC S-002			<input checked="" type="checkbox"/>	DRAWN BY: R. NAGY	10/7/05	PROJECT: MAESTRO	
FINISH -	TBD	MMT-MAESTRO		CHECKED BY: J. BECHTOLD	10/19/05	TITLE: TRUSS SPACE FRAME ASSEMBLY	
	NEXT ASSY	USED ON		APPROVED: J. BECHTOLD	12/7/05	PLOT SIZE SCALE: D -	
	ASSEMBLY APPLICATION			APPROVED: R. WARNER	12/7/05	DRAWING NUMBER: 13234	REVISION: A
CURRENT TIME/DATE/FILE LOCATION:				DRAWING ARCHIVE LOCATION: <a href="http://dovinci.as.arizona.edu/ccad/default.html">http://dovinci.as.arizona.edu/ccad/default.html</a>			
							SHEET 3 OF 6