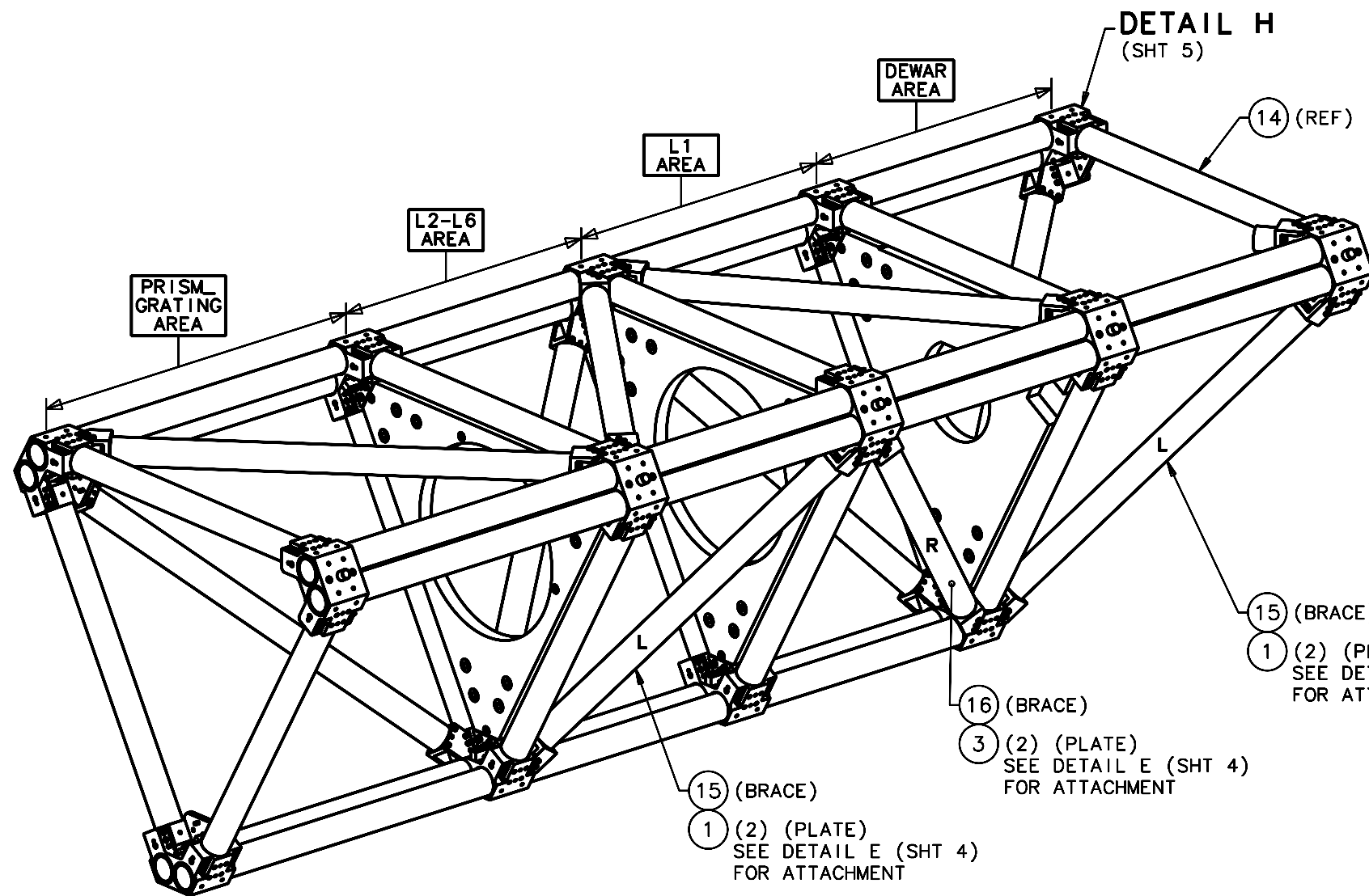
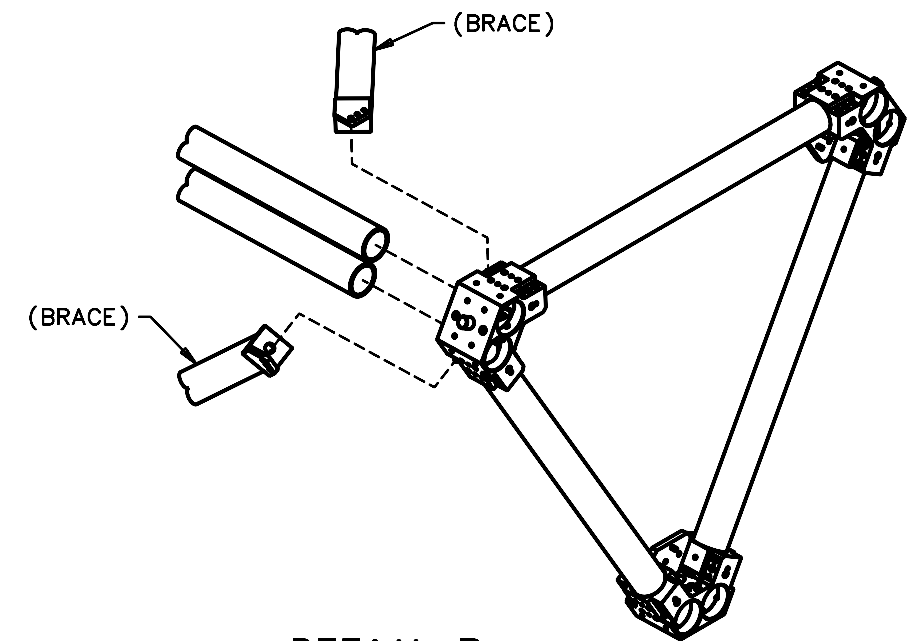


REVISIONS				
LTR	DESCRIPTION	DATE	REVISED BY	APPROVED
A	INITIAL RELEASE	12/7/05	R. NAGY	J. BECHTOLD



DETAIL A
(SHT 1)
SCALE NTS
ROTATED TO SHOW BRACES ON THIS SIDE



DETAIL B
(SHT 1)
SCALE NTS
MODULAR TYPE ASSEMBLY

DO NOT SCALE DRAWING INTERPRET DIMENSIONS AND TOLERANCES IN ACCORDANCE WITH ASME Y14.5M-94	THIS DRAWING CREATED IN:			Steward Observatory, University of Arizona 933 N. Cherry Avenue, Tucson, AZ 85721 (520)621-7659			
	ACAD <input type="checkbox"/>	MECH <input type="checkbox"/>	IDEAS <input checked="" type="checkbox"/>	DESIGNED BY: D. DEAN	DATE: 11/7/02	CATEGORY: MMT	
TOLERANCES UNLESS OTHERWISE SPECIFIED LINEAR ANGULAR .1 .005 .05 .002 .001 .0005 DIAMETRICAL SEE SPEC S-002	TBD	MMT-MAESTRO	DRAWN BY: R. NAGY	10/7/05	PROJECT: MAESTRO		
			CHECKED BY: J. BECHTOLD	10/19/05	TITLE: TRUSS SPACE FRAME ASSEMBLY		
MATERIAL -			APPROVED: J. BECHTOLD	12/7/05			
			APPROVED: R. WARNER	12/7/05			
FINISH -	NEXT ASSY	USED ON	APPROVED:		PLOT SIZE SCALE: D -	DRAWING NUMBER: 13234	REVISION: A
	ASSEMBLY APPLICATION			CURRENT TIME/DATE/FILE LOCATION:		DRAWING ARCHIVE LOCATION: http://dovinci.as.arizona.edu/ccad/default.html	