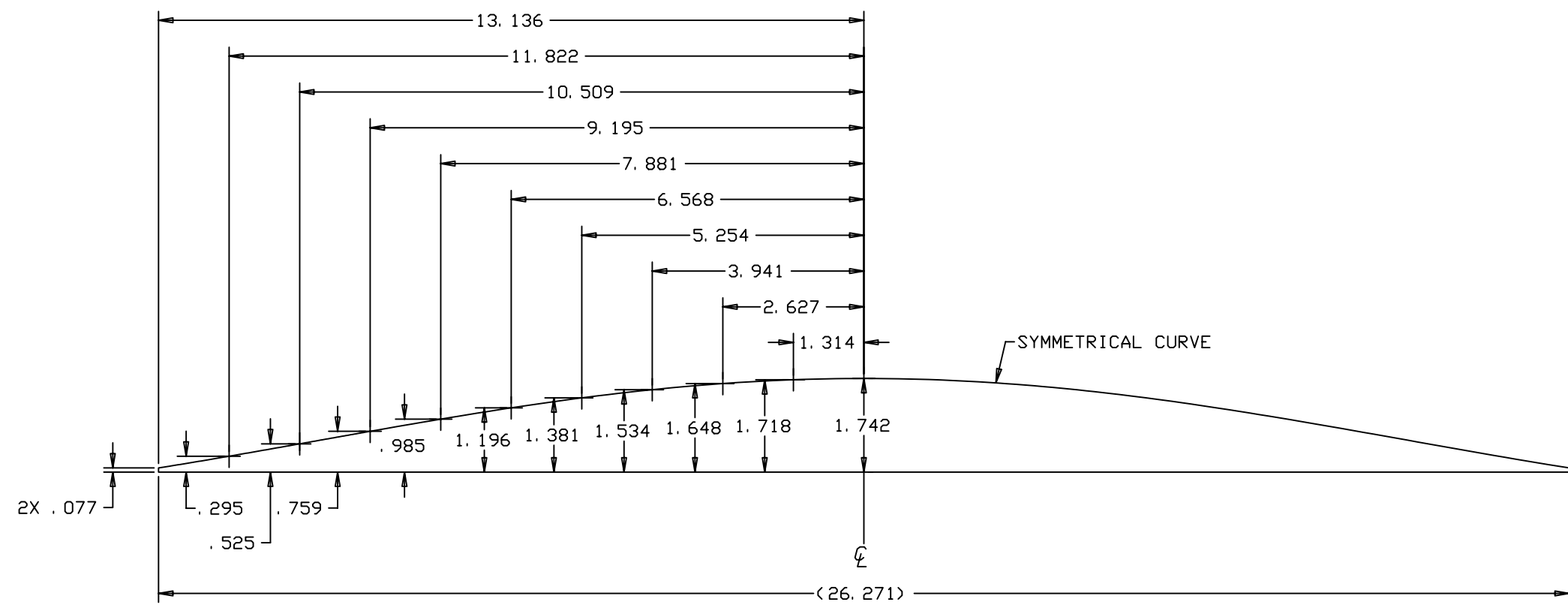
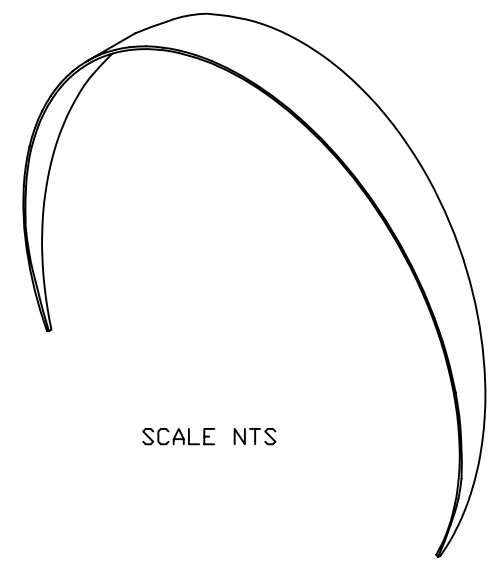
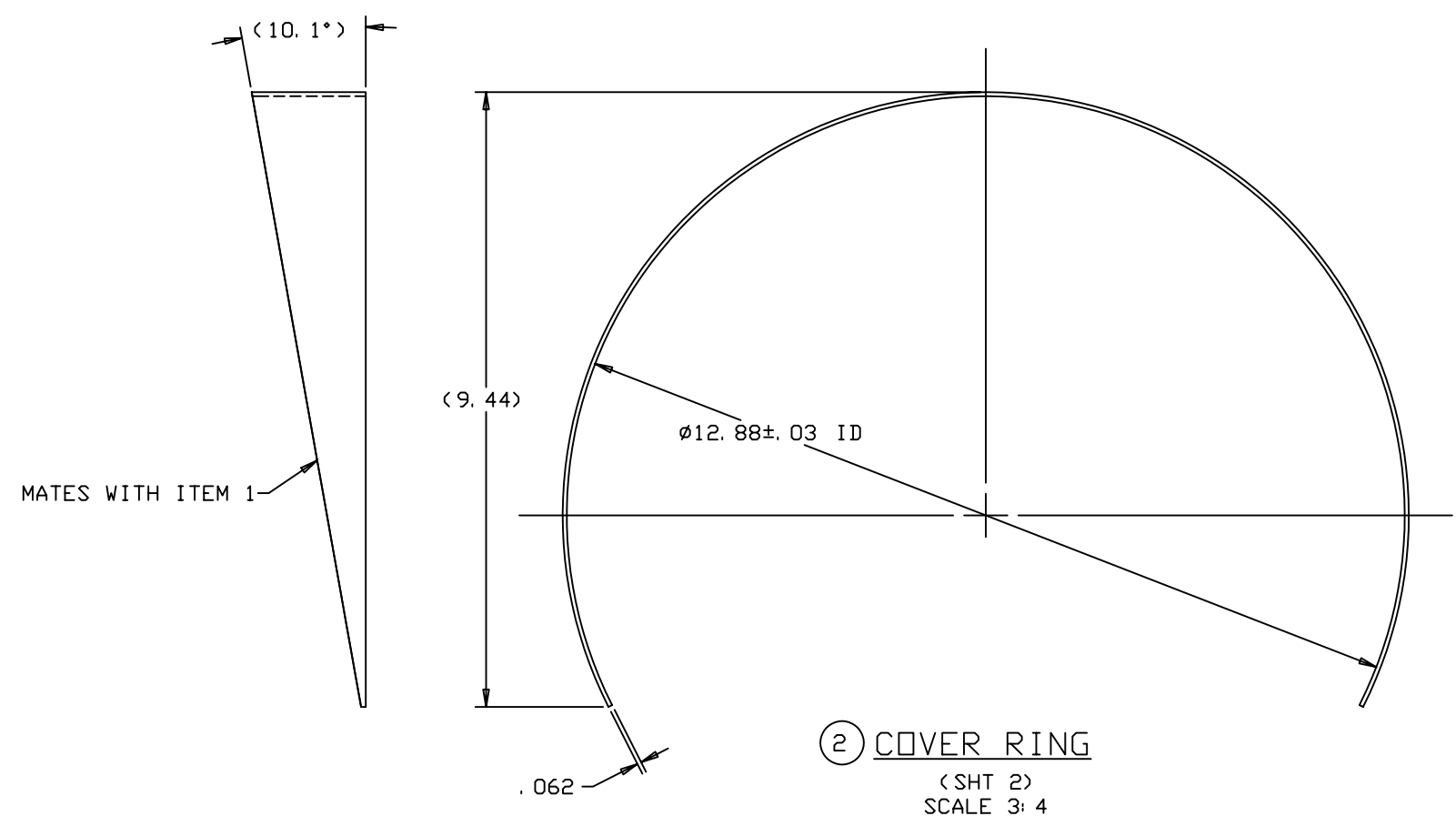


REVISIONS				
LTR	DESCRIPTION	DATE	REVISED BY	APPROVED
A	INITIAL RELEASE	8/2/04	R. NAGY	B. CUERDEN
B	ADDED NOTE 7; NOTE 8 WAS PART OF VIEW A-A; ITEM 4, SHT 4: 1.00, 2.69 WAS 1.000, 2.688	9/8/04	R. NAGY	B. CUERDEN



FLAT PATTERN
(BASED ON ID)
SCALE 3: 4



DO NOT SCALE DRAWING INTERPRET DIMENSIONS AND TOLERANCES IN ACCORDANCE WITH ASME Y14.5M-94		THIS DRAWING CREATED IN: ACAD <input type="checkbox"/> MECH <input type="checkbox"/> IDEAS <input checked="" type="checkbox"/>			Steward Observatory, University of Arizona 933 N. Cherry Avenue, Tucson, AZ 85721 (520)621-7659			
TOLERANCES UNLESS OTHERWISE SPECIFIED LINEAR .XX = ±.03 .XXX = ±.010 ANGULAR 1° DIAMETRICAL SEE SPEC S-002		DESIGNED BY: B. CUERDEN/D. DEAN		DATE: 3/5/04		CATEGORY: MMT		
DIMENSIONS ARE IN INCHES / DIMENSIONS IN () ARE METRIC		DRAWN BY: R. NAGY		7/26/04		PROJECT: MAESTRO		
MATERIAL INVAR 36 ALLOY		CHECKED BY: G. LANDIS		8/2/04		TITLE: PRISM CELL PRISM FLEXURE RING WELDMENT		
FINISH ⑤		APPROVED: B. CUERDEN		8/2/04		DRAWING NUMBER: 13288		
NEXT ASSY USED ON		APPROVED: M. REED		8/2/04		REVISION: B		
ASSEMBLY APPLICATION		APPROVED: J. BECHTOLD		8/2/04		CURRENT TIME/DATE/FILE LOCATION: DRAWING ARCHIVE LOCATION: http://davinci.as.arizona.edu/ocad/default.html		
		PLOT SIZE SCALE: D -		DRAWING NUMBER: 13288		SHEET 5 OF 6		