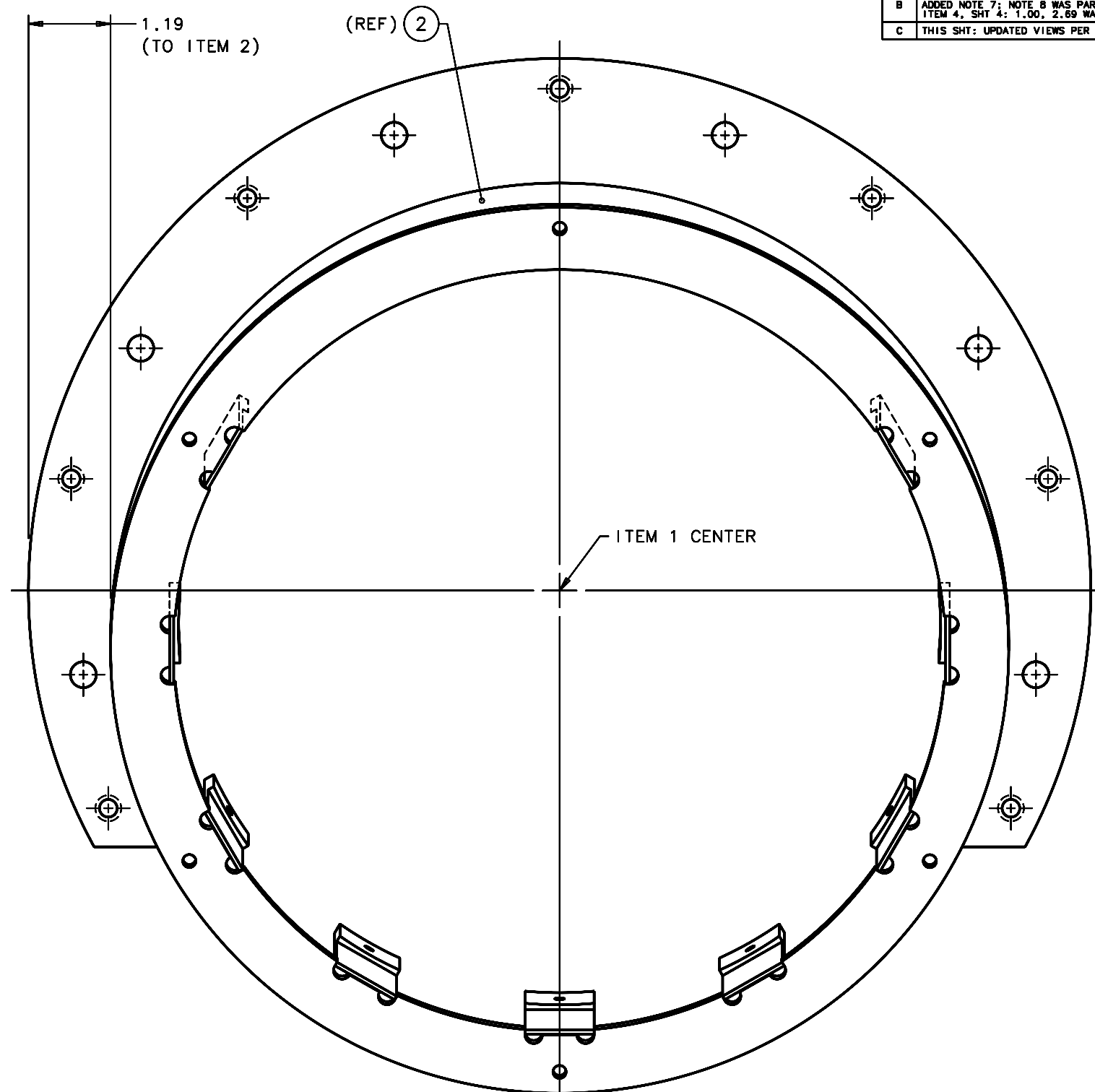
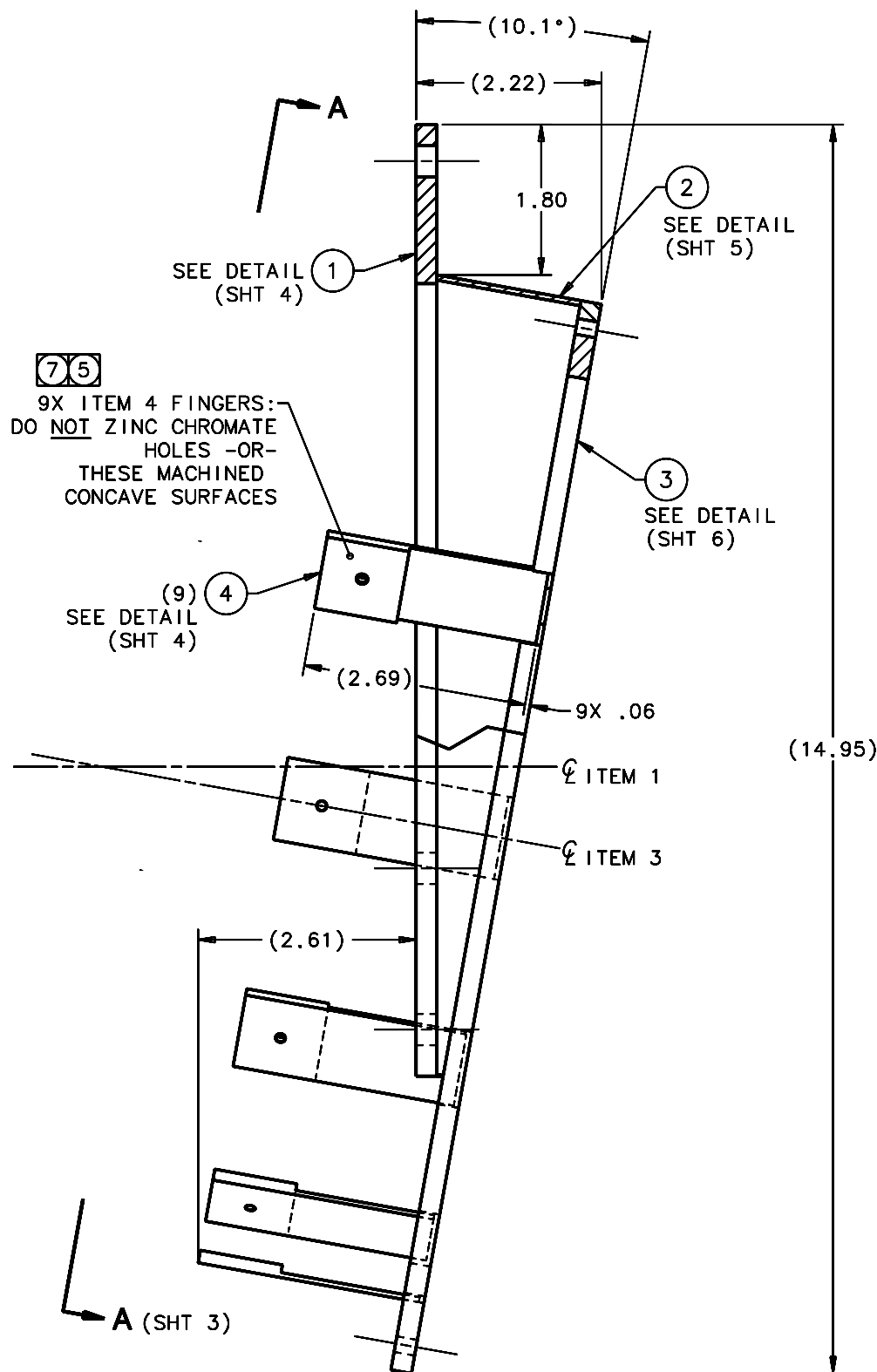


REVISIONS				
LTR	DESCRIPTION	DATE	REVISED BY	APPROVED
A	INITIAL RELEASE	8/2/04	R. NAGY	B. CUERDEN
B	ADDED NOTE 7; NOTE 8 WAS PART OF VIEW A-A; ITEM 4, SHT 4; 1.00, 2.69 WAS 1.000, 2.688	9/8/04	R. NAGY	B. CUERDEN
C	THIS SHT: UPDATED VIEWS PER ECO	2/14/05	R. NAGY	M. REED



SCALE 1:1

DO NOT SCALE DRAWING	THIS DRAWING CREATED IN:			Steward Observatory, University of Arizona		
INTERPRET DIMENSIONS AND TOLERANCES IN ACCORDANCE WITH ASME Y14.5M-94	ACAD	MECH	IDEAS	933 N. Cherry Avenue, Tucson, AZ 85721 (520)621-7659		
TOLERANCES UNLESS OTHERWISE SPECIFIED	<input type="checkbox"/>	<input type="checkbox"/>	<input checked="" type="checkbox"/>	DESIGNED BY: B. CUERDEN/D. DEAN	DATE: 3/5/04	CATEGORY: MMT
LINEAR				DRAWN BY: R. NAGY	3/11/04	PROJECT: MAESTRO
ANGULAR				CHECKED BY: G. LANDIS	7/26/04	TITLE: PRISM CELL PRISM FLEXURE RING WELDMENT
.1 - NA				APPROVED: B. CUERDEN	8/2/04	
.1x - $\pm .03$				APPROVED: M. REED	8/2/04	
.xxx - $\pm .010$				APPROVED: J. BECHTOLD	8/2/04	
DIAMETRICAL SEE SPEC 5-002				APPROVED:		
MATERIAL INVAR 36 ALLOY	13285	MMT		PLOT SIZE SCALE: DRAWING NUMBER: REVISION:		
FINISH 5	NEXT ASSY	USED ON		D - 13288 C		
ASSEMBLY APPLICATION	CURRENT TIME/DATE/FILE LOCATION:			SHEET 2 OF 6		
	DRAWING ARCHIVE LOCATION: http://dovinci.os.arizona.edu/ocod/default.html					