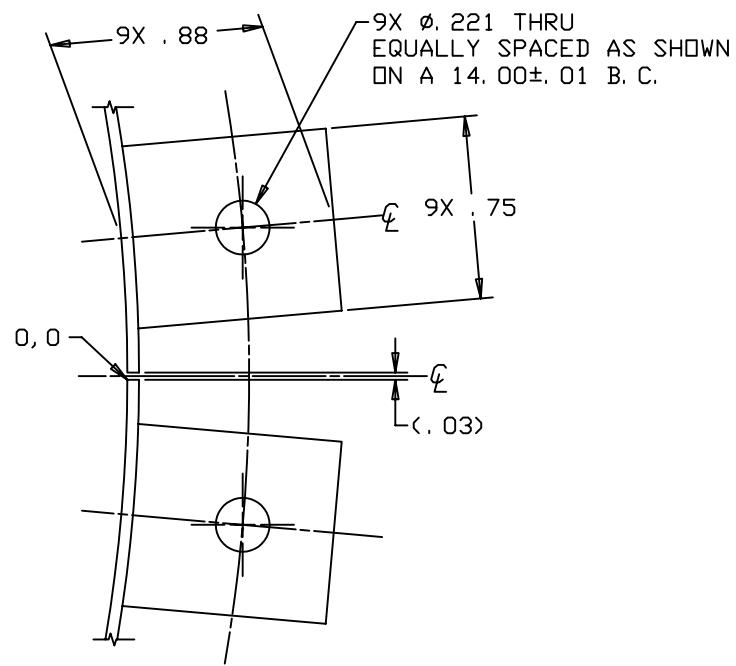
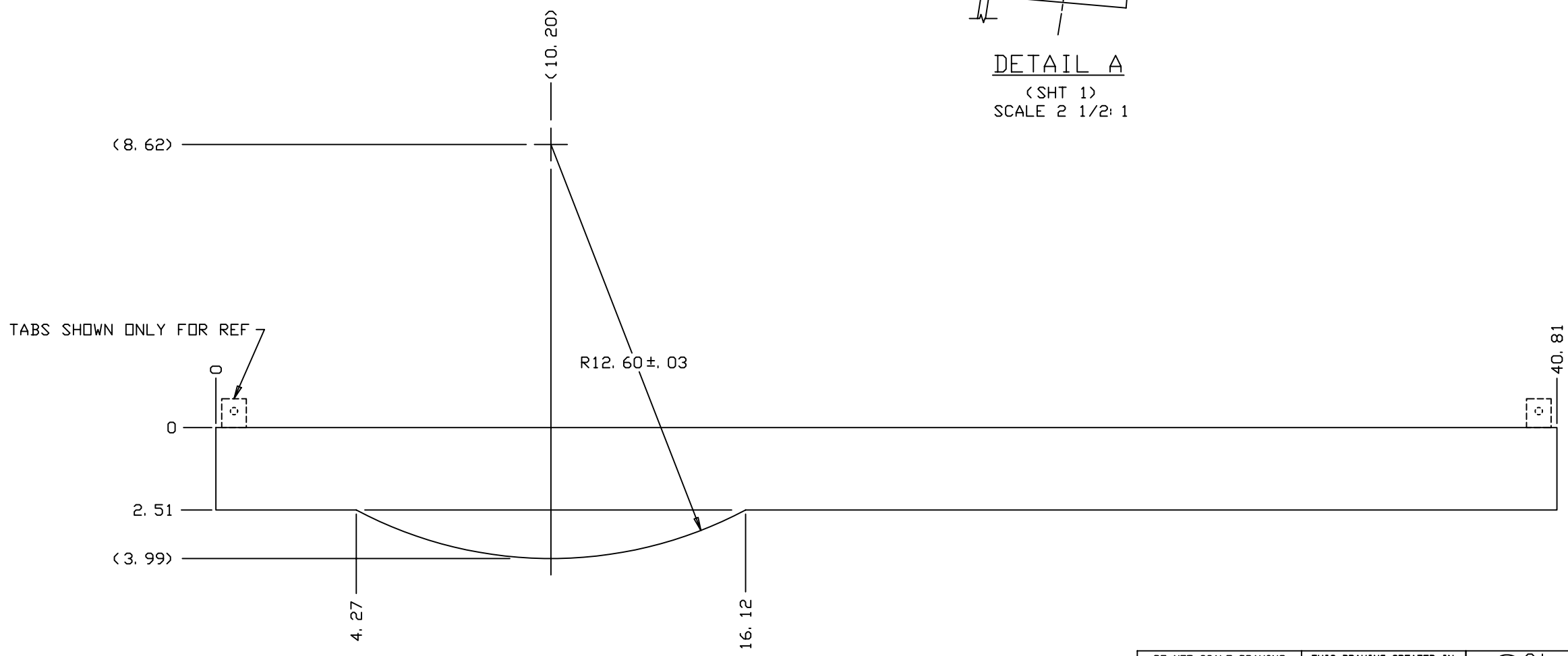


REVISIONS				
LTR	DESCRIPTION	DATE	REVISED BY	APPROVED
A	INITIAL RELEASE	8/2/04	R. NAGY	B. CUERDEN
B	UPDATED TO NEW DESIGN W/TABS & REVISED HOLE PATTERN; MATL WAS 1008 STL, 18 GA W/Zn CHROMATE	9/9/04	R. NAGY	S. MATHEWS



DETAIL A
(SHT 1)
SCALE 2 1/2: 1



FLAT PATTERN

SCALE 1: 2
(BASED ON ID)
ORIENT O, O WHERE SHOWN IN DETAIL A (THIS SHT)

DO NOT SCALE DRAWING		THIS DRAWING CREATED IN:		Steward Observatory, University of Arizona 933 N. Cherry Avenue, Tucson, AZ 85721 (520)621-7659			
INTERPRET DIMENSIONS AND TOLERANCES IN ACCORDANCE WITH ASME Y14.5M-94		ACAD	MECH	IDEAS	DESIGNED BY: B. CUERDEN/D. DEAN	DATE: 3/8/04	CATEGORY: MMT
TOLERANCES UNLESS OTHERWISE SPECIFIED		<input type="checkbox"/>	<input type="checkbox"/>	<input checked="" type="checkbox"/>	DRAWN BY: R. NAGY	3/12/04	PROJECT: MAESTRO
LINEAR .X = NA .XX = ±.03 .XXX = NA					CHECKED BY: G. LANDIS	7/26/04	TITLE: PRISM CELL PRISM REAR BAFFLE
ANGULAR 2°					APPROVED: B. CUERDEN	8/2/04	
DIAMETRICAL SEE SPEC S-002					APPROVED: M. REED	8/2/04	
DIMENSIONS ARE IN INCHES / DIMENSIONS IN [] ARE METRIC					APPROVED: J. BECHTOLD	8/2/04	
MATERIAL 5052-H32 AL, .050 SHT		13285	MMT		APPROVED:		PLOT SIZE: SCALE: DRAWING NUMBER: REVISION: D - 13287 B
FINISH 4		NEXT ASSY USED ON		CURRENT TIME/DATE/FILE LOCATION:		DRAWING ARCHIVE LOCATION: http://devinci1.as.arizona.edu/acad/default.html	
ASSEMBLY APPLICATION							SHEET 2 OF 2