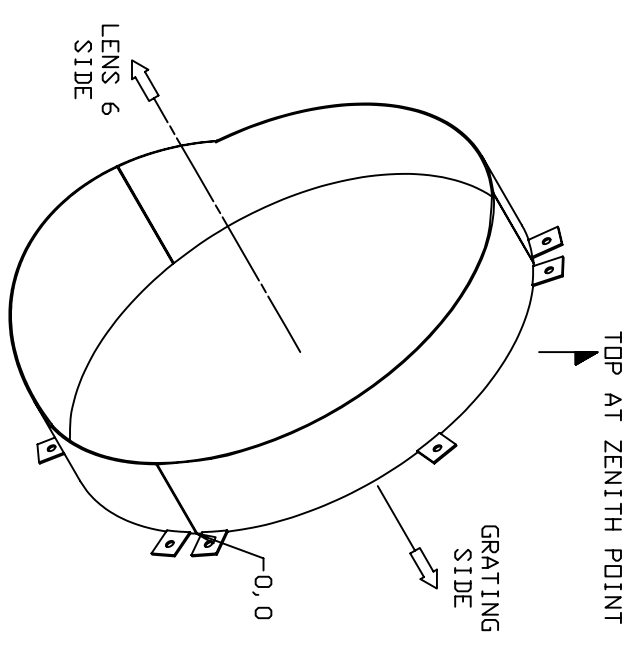
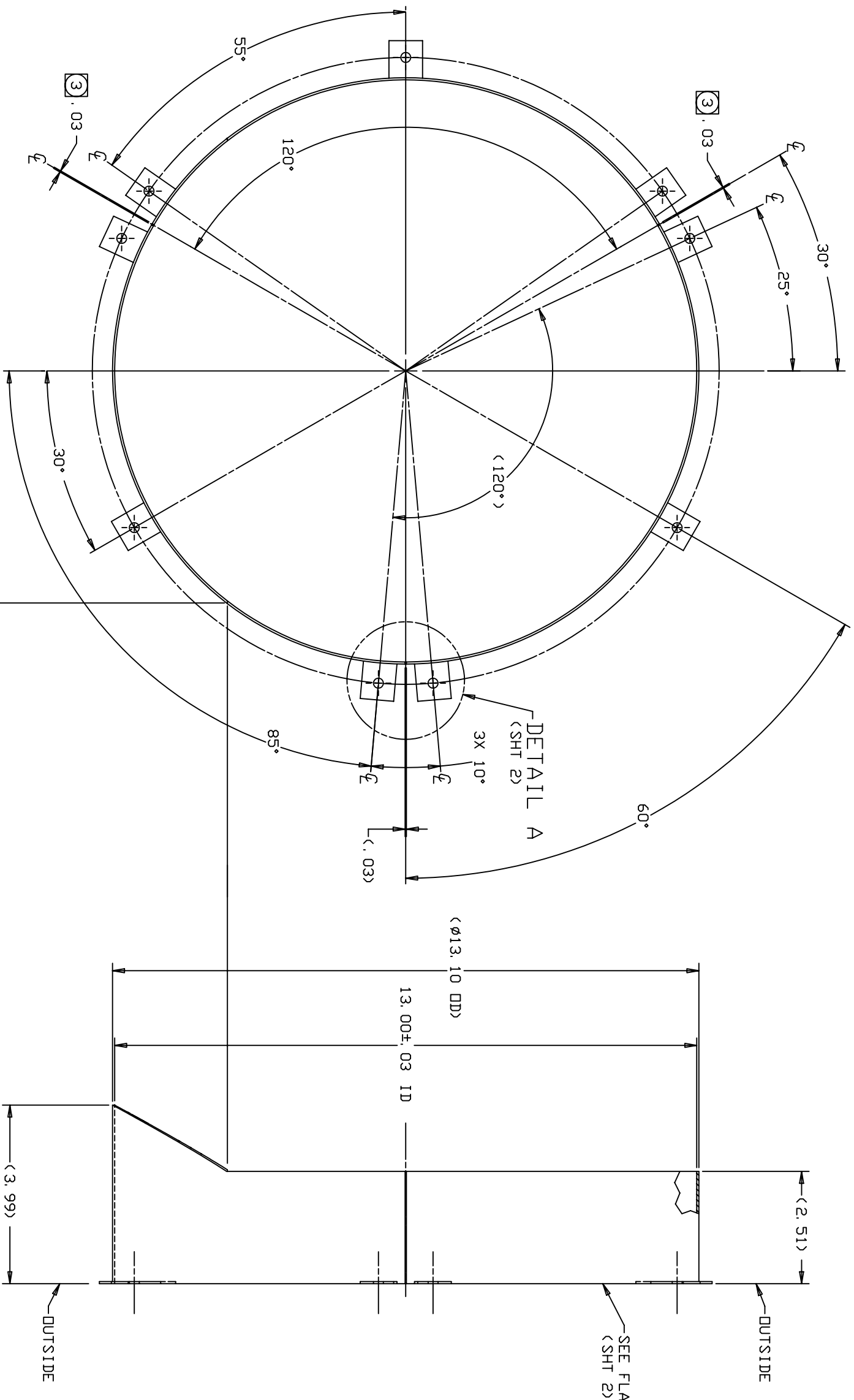


REVISIONS			
LTR	DESCRIPTION	DATE	REVISOR
A	INITIAL RELEASE	8/2/04	R. NAGY
B	UPDATED TO NEW DESIGN W/TABS & REVISED HOLE PATTERN. MATERIAL WAS 1008 STL, 18 GA W/2% CHROMIUM	9/9/04	R. NAGY
			S. MATHEWS



- NOTES:
- BREAK SHARP EDGES & DEBURR.
 - MACHINED SURFACE FINISH TO BE 125 RMS OR BETTER.
 - SEPARATE INTO 3-PIECES AS SHOWN; MAY BE SAW CUT OR INCORPORATED INTO FLAT PATTERN.
 - ANDDIZE EA PIECE PER MIL-A-8625, TYPE II, CLASS 2, BLACK.
 - DIMENSIONS ARE BEFORE ANDDIZING.

DO NOT SCALE DRAWING INTERPRET DIMENSIONS AND TOLERANCES IN ACCORDANCE WITH ASME Y14.5M-94		THIS DRAWING CREATED IN: ACAD <input type="checkbox"/> MECH <input type="checkbox"/> IDEAS <input checked="" type="checkbox"/>	
TOLERANCES UNLESS OTHERWISE SPECIFIED: LINEAR .003 ANGULAR 2° DIMENTIONAL SEE SPEC S-002		DESIGNED BY: B. CUERDEN/D. DEAN DATE: 3/8/04	
MATERIAL: 5052-H32 AL, .050 SHT		DRAWN BY: R. NAGY DATE: 3/12/04	
FINISH: 4		CHECKED BY: G. LANDIS DATE: 7/26/04	
NEXT ASSY USED ON: 13285		APPROVED BY: B. CUERDEN DATE: 8/2/04	
ASSEMBLY APPLICATION: MMT		APPROVED BY: M. REED DATE: 8/2/04	
CURRENT TIME/DATE/FILE LOCATION: FINISH 4		APPROVED BY: J. BECHTOLD DATE: 8/2/04	
<p>Steward Observatory, University of Arizona 933 N. Cherry Avenue, Tucson, AZ 85721 (520)621-7659</p>			
PROJECT: MAESTRO		TITLE: PRISM CELL PRISM REAR BAFFLE	
DRAWING NUMBER: 13287		REVISION: B	
SHEET 1 OF 2		DRAWING ARCHIVE LOCATION: http://dmr1.cba.arizona.edu/acad/default.htm	

SCALE 3: 4