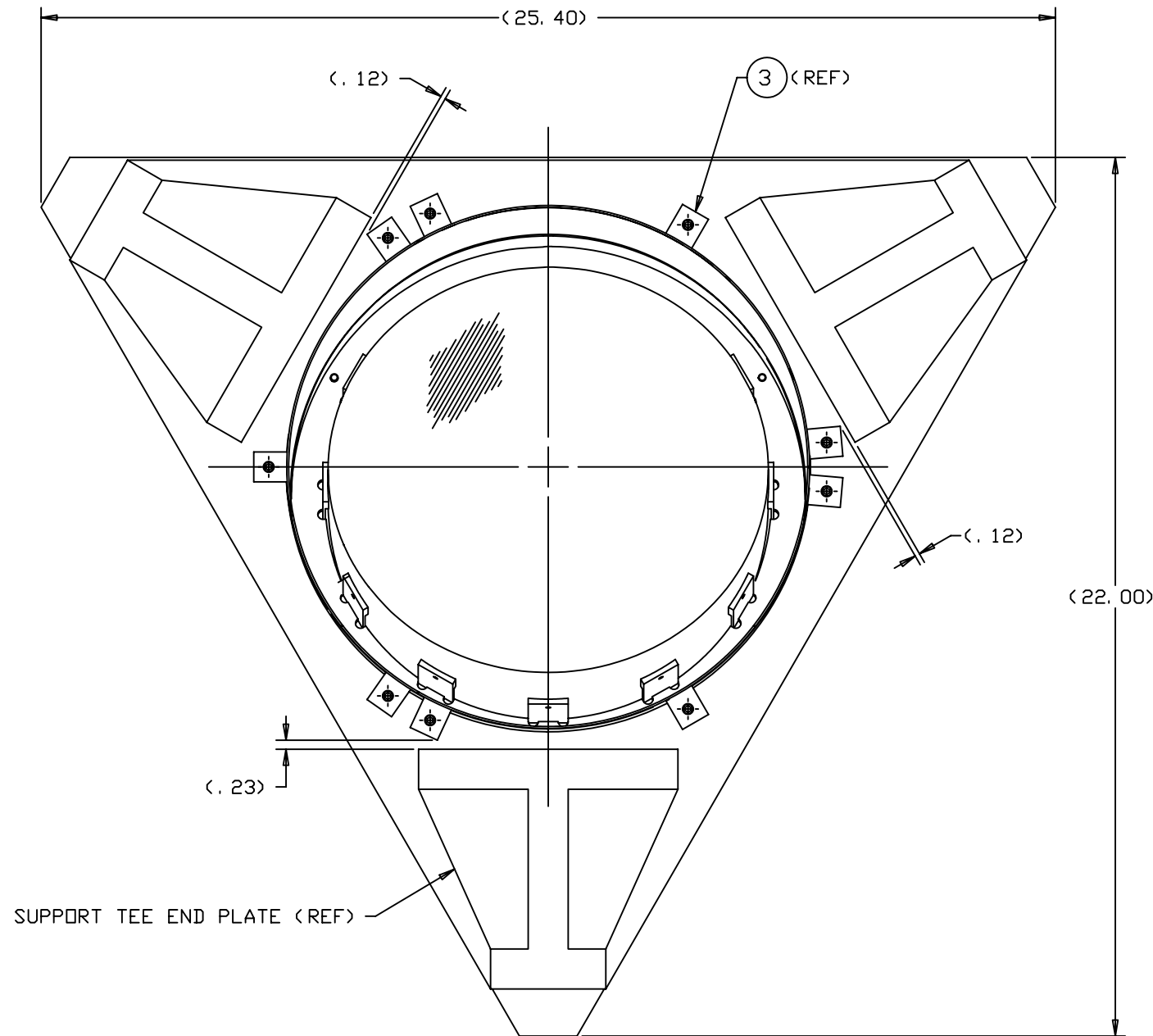
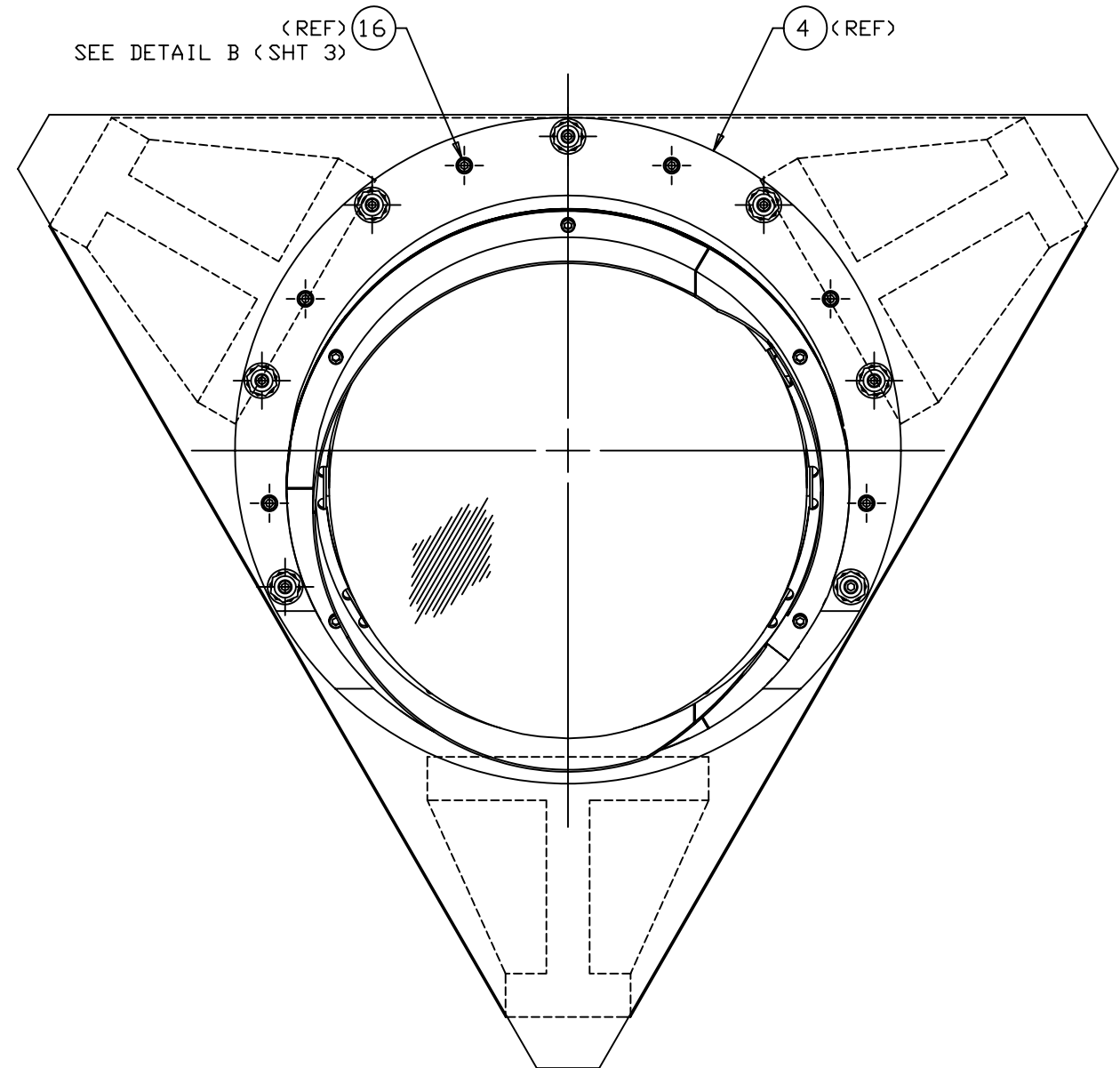


REVISIONS				
LTR	DESCRIPTION	DATE	REVISED BY	APPROVED
A	INITIAL RELEASE	8/4/04	R. NAGY	B. CUERDEN
B	UPDATED TO NEW ITEM 3 BAFFLE W/TABS; ITEM 15 QTY WAS (12); ADDED C. TO NOTE 1; ISO VIEW; REVISED ITEM 24 .008 ADHESIVE THK NOTE	9/14/04	R. NAGY	B. CUERDEN



VIEW B-B  
(SHT 3)  
SCALE 1:2



VIEW A-A  
(SHT 3)  
SCALE 1:2

DO NOT SCALE DRAWING		THIS DRAWING CREATED IN:		Steward Observatory, University of Arizona 933 N. Cherry Avenue, Tucson, AZ 85721 (520)621-7659			
INTERPRET DIMENSIONS AND TOLERANCES IN ACCORDANCE WITH ASME Y14.5M-94		ACAD	MECH	IDEAS	DESIGNED BY: B. CUERDEN/D. DEAN	DATE: 3/17/04	CATEGORY: MMT
TOLERANCES UNLESS OTHERWISE SPECIFIED LINEAR .X = NA .XX = NA .XXX = NA ANGULAR ± 1° DIAMETRICAL SEE SPEC S-002		<input type="checkbox"/>	<input type="checkbox"/>	<input checked="" type="checkbox"/>	DRAWN BY: R. NAGY	3/18/04	PROJECT: MAESTRO
DIMENSIONS ARE IN INCHES / DIMENSIONS IN ( ) ARE METRIC					CHECKED BY: G. LANDIS	7/26/04	TITLE: PRISM CELL ASSEMBLY
MATERIAL					APPROVED: B. CUERDEN	8/4/04	
FINISH		TBD	MMT		APPROVED: M. REED	8/4/04	
		NEXT ASSY	USED ON		APPROVED: J. BECHTOLD	8/4/04	PLOT SIZE SCALE: D -
		ASSEMBLY APPLICATION		CURRENT TIME/DATE/FILE LOCATION:		DRAWING NUMBER: 13285	
				DRAWING ARCHIVE LOCATION: <a href="http://dsvinc1.as.arizona.edu/acad/default.html">http://dsvinc1.as.arizona.edu/acad/default.html</a>		REVISION: B	
						SHEET 4 OF 4	