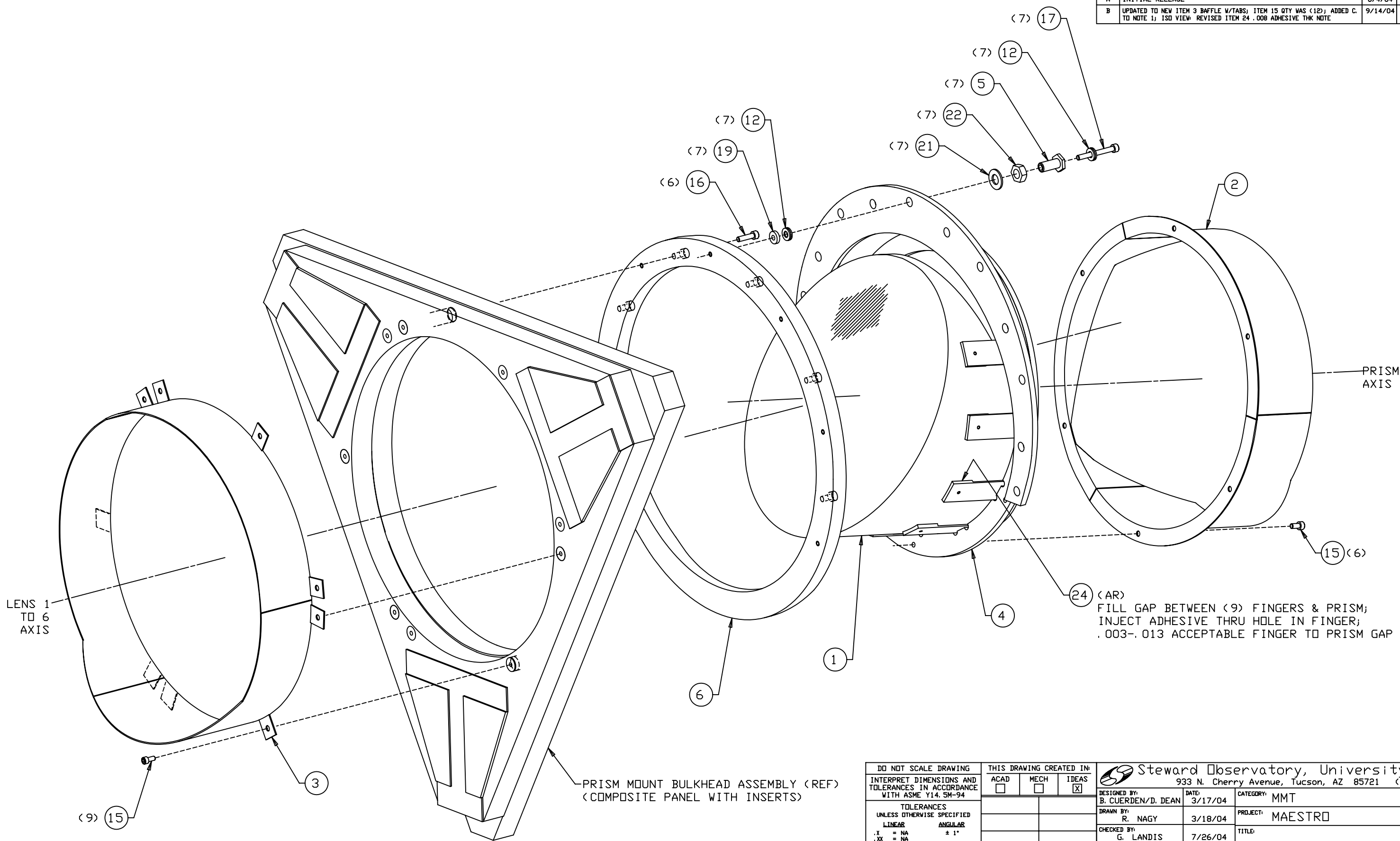


REVISIONS				
LTR	DESCRIPTION	DATE	REVISED BY	APPROVED
A	INITIAL RELEASE	8/4/04	R. NAGY	B. CUERDEN
B	UPDATED TO NEW ITEM 3 BAFFLE W/TABS; ITEM 15 QTY WAS (12); ADDED C. TO NOTE 1; ISO VIEW; REVISED ITEM 24 .008 ADHESIVE THK NOTE	9/14/04	R. NAGY	B. CUERDEN



LENS 1 TO 6 AXIS

PRISM AXIS

PRISM MOUNT BULKHEAD ASSEMBLY (REF)  
(COMPOSITE PANEL WITH INSERTS)

(24) <AR> FILL GAP BETWEEN (9) FINGERS & PRISM;  
INJECT ADHESIVE THRU HOLE IN FINGER;  
.003-.013 ACCEPTABLE FINGER TO PRISM GAP

ISO VIEW  
SCALE NTS

DO NOT SCALE DRAWING		THIS DRAWING CREATED IN:		Steward Observatory, University of Arizona 933 N. Cherry Avenue, Tucson, AZ 85721 (520)621-7659			
INTERPRET DIMENSIONS AND TOLERANCES IN ACCORDANCE WITH ASME Y14.5M-94		ACAD	MECH	IDEAS	DESIGNED BY: B. CUERDEN/D. DEAN	DATE: 3/17/04	CATEGORY: MMT
TOLERANCES UNLESS OTHERWISE SPECIFIED LINEAR .X = NA .XX = NA .XXX = NA ANGULAR ± 1° DIAMETRICAL SEE SPEC S-002		<input type="checkbox"/>	<input type="checkbox"/>	<input checked="" type="checkbox"/>	DRAWN BY: R. NAGY	3/18/04	PROJECT: MAESTRO
DIMENSIONS ARE IN INCHES / DIMENSIONS IN [ ] ARE METRIC					CHECKED BY: G. LANDIS	7/26/04	TITLE: PRISM CELL ASSEMBLY
MATERIAL					APPROVED: B. CUERDEN	8/4/04	
-		TBD	MMT		APPROVED: M. REED	8/4/04	
FINISH					APPROVED: J. BECHTOLD	8/4/04	
-		NEXT ASSY	USED ON		APPROVED:		
ASSEMBLY APPLICATION		CURRENT TIME/DATE/FILE LOCATION:		PLOT SIZE		SCALE:	DRAWING NUMBER:
		DRAWING ARCHIVE LOCATION: <a href="http://devinci1.as.arizona.edu/acad/default.html">http://devinci1.as.arizona.edu/acad/default.html</a>		D		-	13285
							REVISION: B
							SHEET 2 OF 4