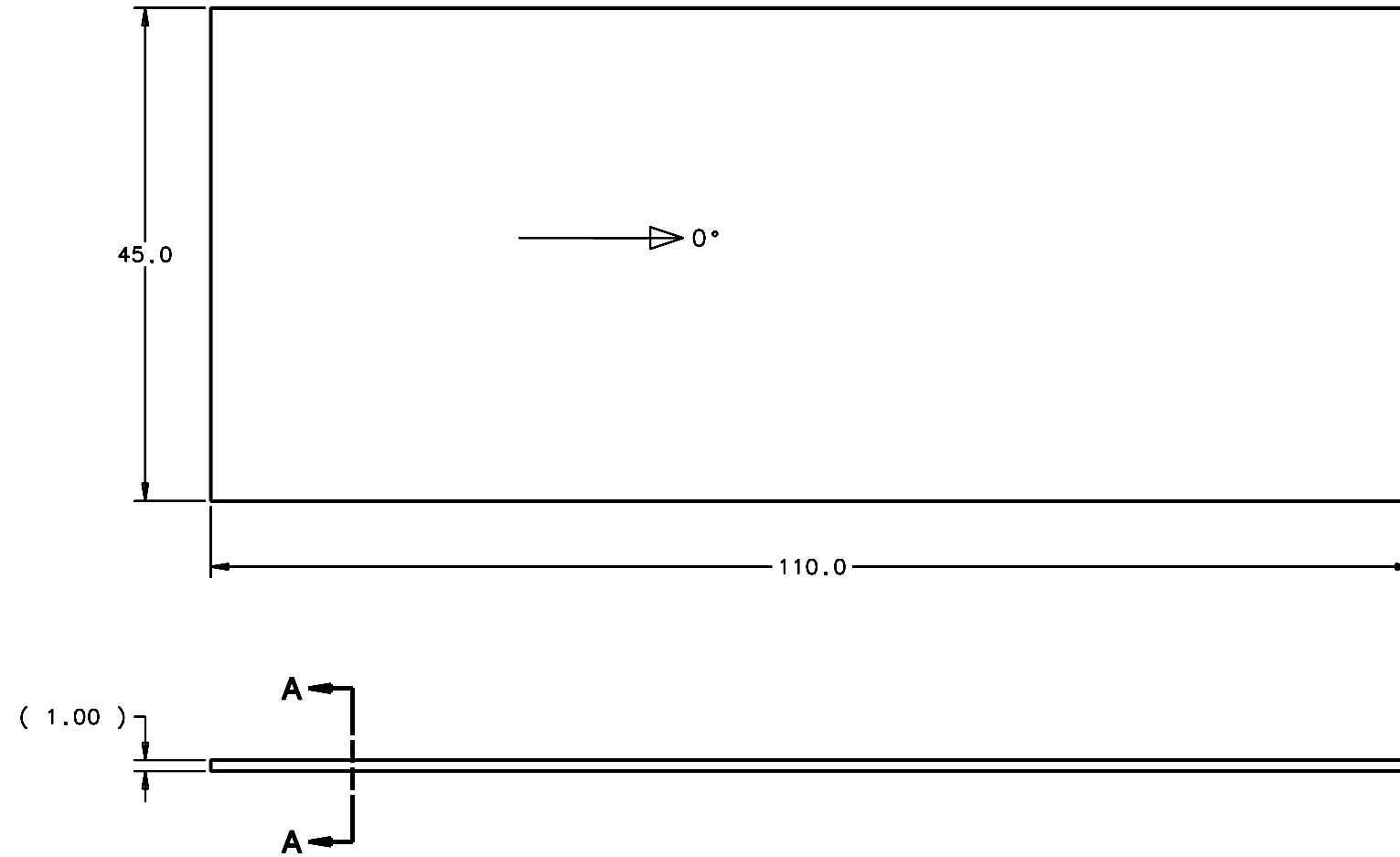
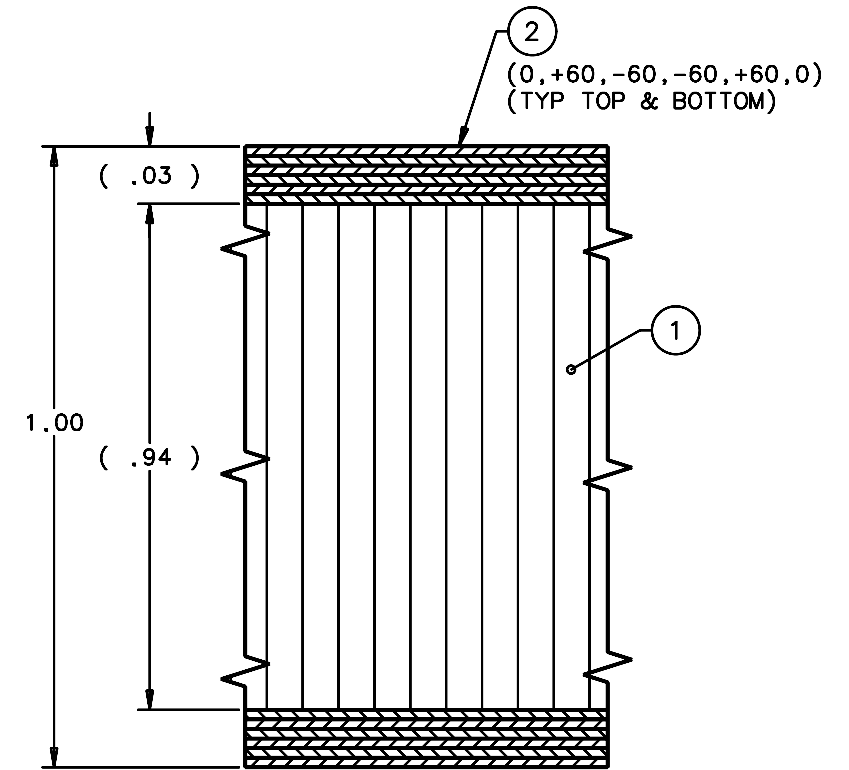


REVISIONS				
LTR	DESCRIPTION	DATE	REVISED BY	APPROVED
A	INITIAL RELEASE	4/7/04	R. NAGY	K. KENAGY
B	VENDOR PROVIDED 45x110; <u>NOT</u> 48x150 AS SPECIFIED; ADDED 13594 NEXT ASSY	2/22/05	R. NAGY	S. MATHEWS
C	VENDOR PROVIDED CORE AS NOTED, <u>NOT</u> ". . . HRP 3/18-12/* AS SPECIFIED	9/23/05	R. NAGY	K. KENAGY



SCALE 1:8



SECTION A-A
SCALE NTS
COMPOSITE PANEL LAYUP

NOTES:

- COMPOSITE PANEL MATERIAL:
 - ITEM 1 CORE: HONEYCOMB HEXCEL P/N CR111-5052-1/8-6.1#, .94 THK.
 - ITEM 2 FACESHEET: AS4 CARBON/EPOXY, .005 THK, UNI TAPE.
- ADDITIONAL SPECIFICATIONS:
 - CO-CURE FACESHEETS WITH CORE.
 - ADHESIVE LAYER FACESHEETS TO CORE IF NECESSARY.
- SUGGESTED SOURCE OF SUPPLY:

HEXCEL CORPORATION
CASA GRANDE, AZ

	-	-2	FACESHEET	2
	-	-1	CORE	1
-3	-2	-1	PART NUMBER	PART DESCRIPTION
				ITEM NO.

DO NOT SCALE DRAWING		THIS DRAWING CREATED IN:		Steward Observatory, University of Arizona	
INTERPRET DIMENSIONS AND TOLERANCES IN ACCORDANCE WITH ASME Y14.5M-94		ACAD <input type="checkbox"/>	MECH <input type="checkbox"/>	IDEAS <input checked="" type="checkbox"/>	933 N. Cherry Avenue, Tucson, AZ 85721 (520)621-7659
TOLERANCES UNLESS OTHERWISE SPECIFIED		DESIGNED BY: S. MATHEWS	DATE: 3/3/04	CATEGORY: MMT	
LINEAR ANGLULAR		DRAWN BY: R. NAGY	3/3/04	PROJECT: MAESTRO	
.X = ±.13		CHECKED BY: S. MATHEWS	4/7/04	TITLE: COMPOSITE PANEL BLANK	
.XX = ±.03		APPROVED: K. KENAGY	4/7/04		
.XXX = NA		APPROVED:			
DIAMETRICAL SEE SPEC S-002		APPROVED:			
DIMENSIONS ARE IN INCHES / DIMENSIONS IN 1 ARE METRIC		APPROVED:		PLOT SIZE SCALE:	DRAWING NUMBER:
MATERIAL	13594 MMT	APPROVED:		D -	13688
	NEXT ASSY USED ON	APPROVED:			
FINISH	ASSEMBLY APPLICATION	CURRENT TIME/DATE/FILE LOCATION:		REVISION: C	
		DRAWING ARCHIVE LOCATION: http://dovinci.as.arizona.edu/ocod/default.html		SHEET 1 OF 1	