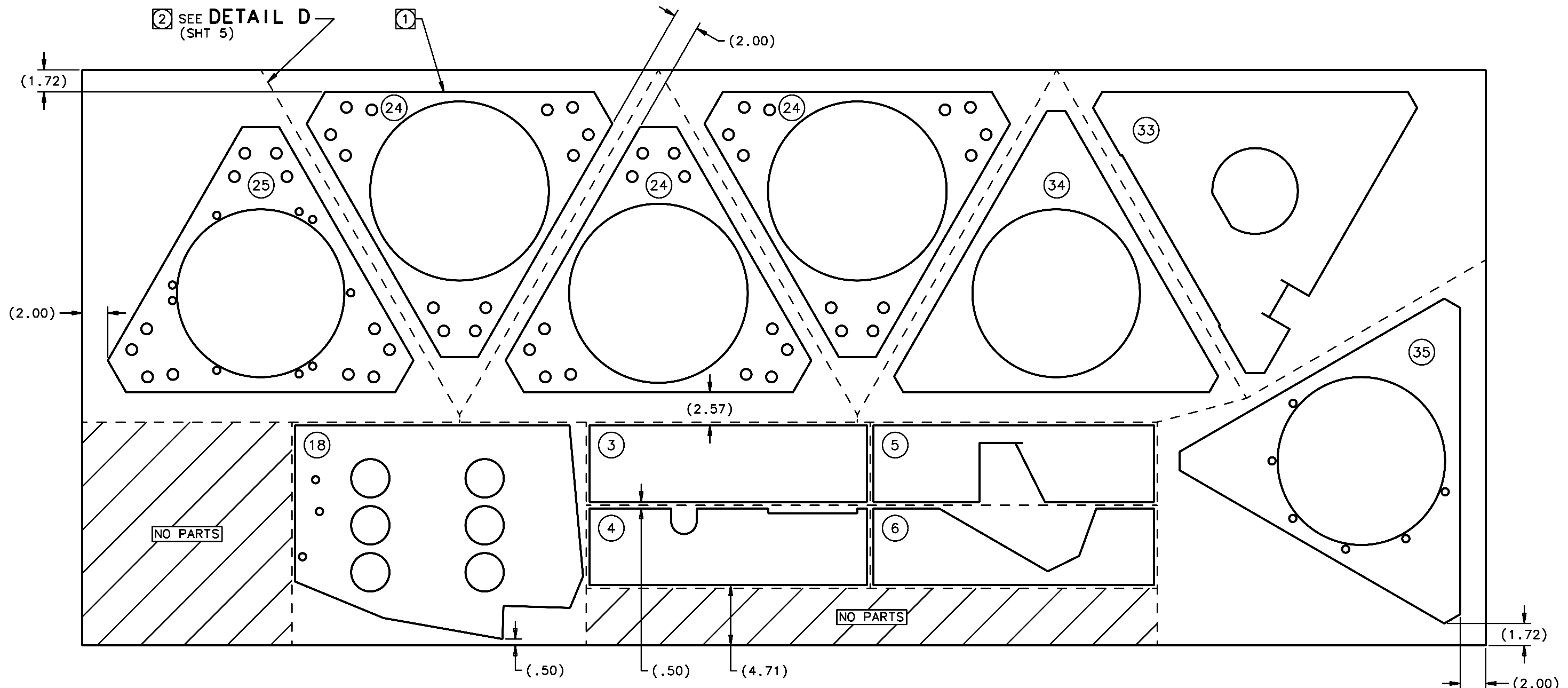


REVISIONS				
LTR	DESCRIPTION	DATE	REVISED BY	APPROVED
A	INITIAL RELEASE	6/15/05	R. NAGY	W. DAVISON
B	ADDED DETAILS C & D (SHTs 4 & 5); REARRANGED DIMs	8/17/05	R. NAGY	R. WARNER



**DETAIL B**  
(SHT 1)  
SCALE 1:4  
PARTS LAYOUT

DO NOT SCALE DRAWING INTERPRET DIMENSIONS AND TOLERANCES IN ACCORDANCE WITH ASME Y14.5M-94		THIS DRAWING CREATED IN: ACAD <input type="checkbox"/> MECH <input type="checkbox"/> IDEAS <input checked="" type="checkbox"/>		Steward Observatory, University of Arizona 933 N. Cherry Avenue, Tucson, AZ 85721 (520)621-7659	
TOLERANCES UNLESS OTHERWISE SPECIFIED LINEAR .XX = NA .XX = 2.03 .XXX = NA ANGULAR .1° DIAMETRICAL SEE SPEC S-002		DESIGNED BY: D. DEAN/R. NAGY	DATE: 6/1/05	CATEGORY: MMT	
MATERIAL -		DRAWN BY: R. NAGY	DATE: 6/3/05	PROJECT: MAESTRO	
FINISH NONE		CHECKED BY: D. DEAN/R. NAGY	DATE: 6/15/05	TITLE: COMPOSITE PANEL PARTS LAYOUT	
ASSEMBLY APPLICATION		APPROVED BY: J. BECHTOLD	DATE: 6/15/05	DRAWING NUMBER: 13594	
CURRENT TIME/DATE/FILE LOCATION:		APPROVED BY: R. WARNER	DATE: 6/15/05	REVISION: B	
DRAWING ARCHIVE LOCATION: <a href="http://davincl.as.arizona.edu/ccad/default.html">http://davincl.as.arizona.edu/ccad/default.html</a>		PLOT SIZE SCALE: D -		SHEET 3 OF 5	