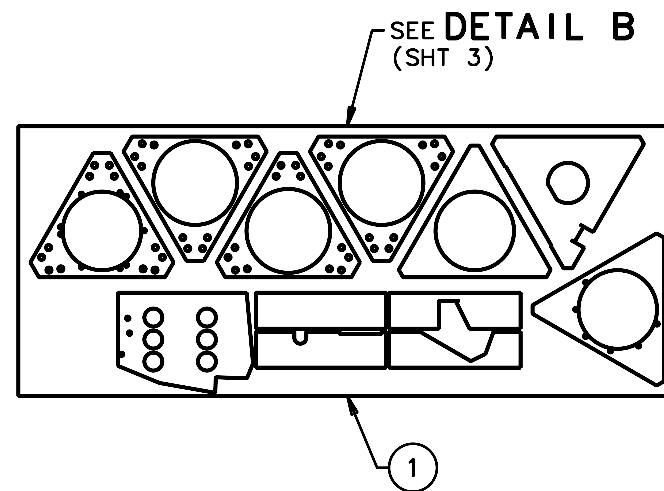
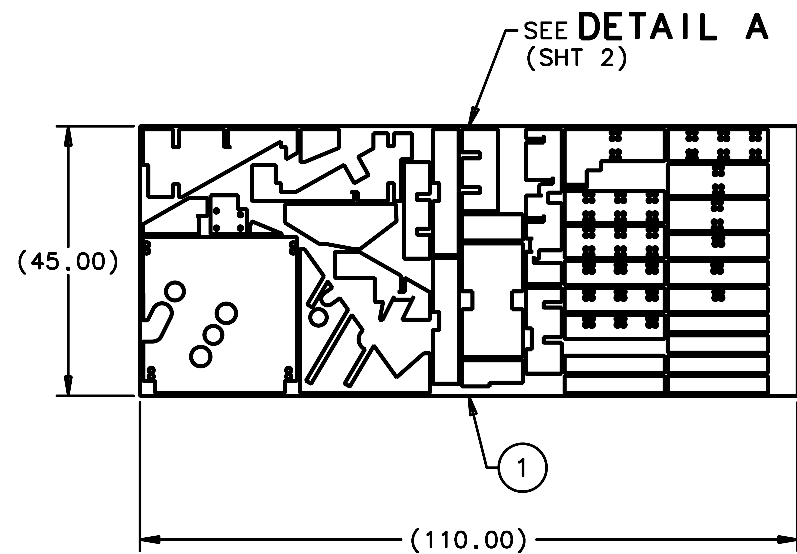


| REVISIONS |   |         |            |            |
|-----------|---|---------|------------|------------|
| LTR       | DESCRIPTION                                       | DATE    | REVISED BY | APPROVED   |
| A         | INITIAL RELEASE                                   | 6/15/05 | R. NAGY    | W. DAVISON |
| B         | ADDED DETAILS C & D (SHTs 4 & 5); REARRANGED DIMs | 8/17/05 | R. NAGY    | R. WARNER  |



SCALE 1:16

|    |    |       |  |                  |                            |          |
|----|----|-------|--|------------------|----------------------------|----------|
|    | 1  | 13715 | TRUSS FRAME-LENS CAN SUPPORT & PRISM CELL BULKHEAD       | 35               |                            |          |
|    | 1  | 13246 | TRUSS FRAME-LENS CAN SUPPORT MID BULKHEAD                | 34               |                            |          |
|    | 1  | 13245 | TRUSS FRAME-LENS CAN SUPPORT & INJECTION OPTICS BULKHEAD | 33               |                            |          |
|    | 1  | 14866 | LENS CAN FOCUS MOTOR MOUNT-LENS 1 SIDE                   | 32               |                            |          |
|    | 1  | 14865 | LENS CAN & FOCUS SUPPORT TEE-LENS 1 SIDE                 | 31               |                            |          |
|    | 3  | 14864 | LENS CAN SUPPORT-WEB TEE LENS 1 SIDE                     | 30               |                            |          |
|    | 2  | 14863 | LENS CAN SUPPORT-INNER TEE LENS 1 SIDE                   | 29               |                            |          |
|    | 6  | 14862 | LENS CAN SUPPORT-OUTER TEE                               | 28               |                            |          |
|    | 3  | 14861 | LENS CAN SUPPORT-WEB TEE PRISM SIDE                      | 27               |                            |          |
|    | 3  | 14860 | LENS CAN SUPPORT-INNER TEE PRISM SIDE                    | 26               |                            |          |
|    | 1  | 14578 | LENS CAN SUPPORT-PRISM MOUNT BULKHEAD                    | 25               |                            |          |
|    | 3  | 14577 | LENS CAN SUPPORT-BULKHEAD                                | 24               |                            |          |
|    | 1  | 14201 | GRATING CELL-SUBSTRATE BOX FLOOR                         | 23               |                            |          |
|    | 1  | 14200 | GRATING CELL-SUBSTRATE BOX RIGHT WALL                    | 22               |                            |          |
|    | 1  | 14198 | GRATING CELL-SUBSTRATE BOX LEFT WALL                     | 21               |                            |          |
|    | 2  | 14197 | GRATING CELL-SUBSTRATE BOX TOP/BOTTOM WALL               | 20               |                            |          |
|    | 1  | 14447 | GRATING CELL PLATFORM-CORNER BRACE 2                     | 19               |                            |          |
|    | 1  | 13736 | GRATING CELL PLATFORM-GRATING CELL MOUNT                 | 18               |                            |          |
|    | 1  | 13735 | GRATING CELL PLATFORM-UPPER STIFFENER                    | 17               |                            |          |
|    | 1  | 13734 | GRATING CELL PLATFORM-FRAME BRACE 4                      | 16               |                            |          |
|    | 1  | 13733 | GRATING CELL PLATFORM-CORNER BRACE 1                     | 15               |                            |          |
|    | 1  | 13732 | GRATING CELL PLATFORM-COVER                              | 14               |                            |          |
|    | 1  | 13731 | GRATING CELL PLATFORM-FRAME BRACE 3                      | 13               |                            |          |
|    | 1  | 13730 | GRATING CELL PLATFORM-FRAME BRACE 2                      | 12               |                            |          |
|    | 1  | 13729 | GRATING CELL PLATFORM-FRAME BRACE 1                      | 11               |                            |          |
|    | 1  | 13728 | GRATING CELL PLATFORM-GRATING CELL MOUNT SUPPORT 4       | 10               |                            |          |
|    | 1  | 13727 | GRATING CELL PLATFORM-GRATING CELL MOUNT SUPPORT 3       | 9                |                            |          |
|    | 1  | 13726 | GRATING CELL PLATFORM-GRATING CELL MOUNT SUPPORT 2       | 8                |                            |          |
|    | 1  | 13725 | GRATING CELL PLATFORM-GRATING CELL MOUNT SUPPORT 1       | 7                |                            |          |
|    | 1  | 13724 | GRATING CELL PLATFORM-LEFT WALL                          | 6                |                            |          |
|    | 1  | 13723 | GRATING CELL PLATFORM-RIGHT WALL                         | 5                |                            |          |
|    | 1  | 13722 | GRATING CELL PLATFORM-BOTTOM WALL                        | 4                |                            |          |
|    | 1  | 13721 | GRATING CELL PLATFORM-TOP WALL                           | 3                |                            |          |
|    | 1  | 13720 | GRATING CELL PLATFORM-FLOOR                              | 2                |                            |          |
|    | 2  | 13688 | COMPOSITE PANEL BLANK                                    | 1                |                            |          |
| -3 | -2 | -1    | PART NUMBER  | PART DESCRIPTION | MANUFACTURER or MAT'L SPEC | ITEM NO. |

NOTES:

- ① ITEMS 2 THRU 35 ARE FOR REF TO SHOW ORIENTATION IN CREATING "BLANKS" PER NOTE 2.
- ② CUT OUT BLANKS FOR ITEMS 2 THRU 35 ALONG DASH LINES (- - -) AS DIMENSIONED IN DETAILS C & D (SHTs 4 & 5). IDENTIFY BLANKS WITH PART NUMBERS IF NECESSARY USING A PERMANENT MARKER. BLANKS WILL THEN BE FABRICATED AS SHOWN PER THEIR RESPECTIVE DRAWINGS.
- ③ PANEL AREA ON DETAIL C (SHT 4) CAN BE USED FOR PRACTICE FABRICATION IF NEEDED.
- ④ SAVE PANEL AREAS ON DETAIL D (SHT 5) & SCRAP PIECES FROM INDIVIDUAL PART FABRICATION FOR ANY FUTURE PARTS.

|   |                |   |                               |  |                                     |
|---|----------------|---|-------------------------------|--|-------------------------------------|
| DO NOT SCALE DRAWING  |                | THIS DRAWING CREATED IN:  |                               | Steward Observatory, University of Arizona<br>933 N. Cherry Avenue, Tucson, AZ 85721 (520)621-7659 |                                     |
| INTERPRET DIMENSIONS AND TOLERANCES IN ACCORDANCE WITH ASME Y14.5M-94 |                | ACAD <input type="checkbox"/>   | MECH <input type="checkbox"/> | IDEAS <input checked="" type="checkbox"/>  | DESIGNED BY: D. DEAN/R. NAGY        |
| TOLERANCES UNLESS OTHERWISE SPECIFIED                                 |                |   |                               | DATE: 6/1/05   | CATEGORY: MMT                       |
| LINEAR  | ANGULAR        |   |                               | DRAWN BY: R. NAGY  | PROJECT: MAESTRO                    |
| .1 - NA   | .1°            |   |                               | CHECKED BY: D. DEAN/R. NAGY  | TITLE: COMPOSITE PANEL PARTS LAYOUT |
| .2 - 2.03   |                |   |                               | DATE: 6/15/05  |                                     |
| .3 - NA   |                |   |                               | APPROVED BY: J. BECHTOLD   |                                     |
| DIAMETRICAL   | SEE SPEC S-002 |   |                               | DATE: 6/15/05  |                                     |
| MATERIAL  |                |   |                               | APPROVED BY: R. WARNER   |                                     |
| -   |                | NA  | MMT-MAESTRO                   | DATE: 6/15/05  |                                     |
| FINISH  |                | NEXT ASSY   | USED ON                       | APPROVED:  |                                     |
| NONE  |                |   |                               |  |                                     |
| ASSEMBLY APPLICATION  |                | CURRENT TIME/DATE/FILE LOCATION:  |                               | PLOT SIZE SCALE: D -   | DRAWING NUMBER: 13594               |
|   |                | DRAWING ARCHIVE LOCATION: <a href="http://devinci.as.arizona.edu/ccod/default.html">http://devinci.as.arizona.edu/ccod/default.html</a> |                               | REVISION: B  | SHEET 1 OF 5                        |