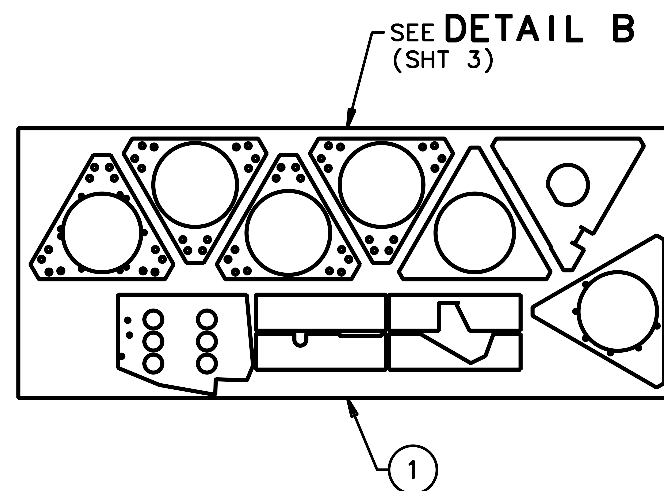
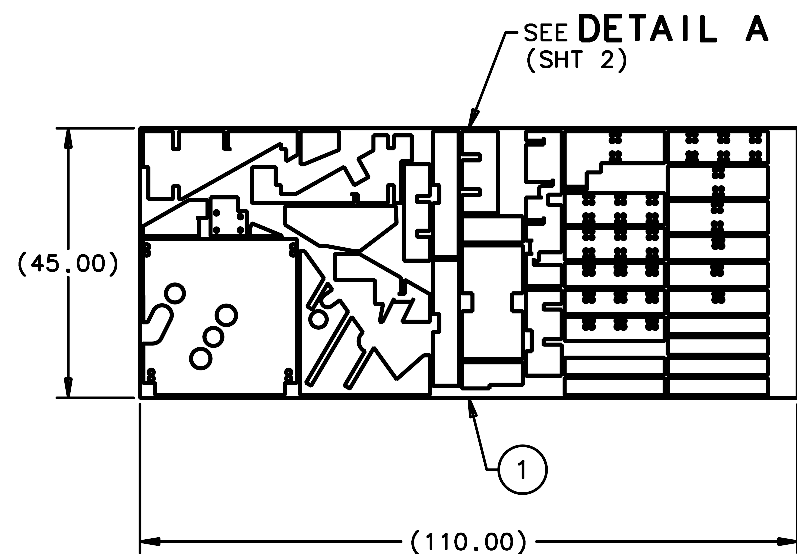


REVISIONS				
LTR	DESCRIPTION	DATE	REVISED BY	APPROVED
A	INITIAL RELEASE	6/15/05	R. NAGY	W. DAVISON



SCALE 1:16

NOTES:

- ① ITEMS 2 THRU 35 ARE FOR REF TO SHOW ORIENTATION IN CREATING "BLANKS" PER NOTE 2.
- ② USING A 1/4" DIA CUTTER, CUT OUT BLANKS FOR ITEMS 2 THRU 35 ALONG DASH LINES (---) AS SHOWN. IDENTIFY BLANKS IF NECESSARY WITH PART NUMBERS USING A PERMANENT MARKER. BLANKS WILL THEN BE FABRICATED AS SHOWN PER THEIR RESPECTIVE DRAWINGS.
- ③ PANEL AREA ON DETAIL A (SHT 2) CAN BE USED FOR PRACTICE FABRICATION IF NEEDED.
- ④ SAVE PANEL AREA ON DETAIL B (SHT 3) & SCRAP PIECES FROM INDIVIDUAL PART FABRICATION FOR ANY FUTURE PARTS.

	1	13715	TRUSS FRAME-LENS CAN SUPPORT & PRISM CELL BULKHEAD	35		
	1	13246	TRUSS FRAME-LENS CAN SUPPORT MID BULKHEAD	34		
	1	13245	TRUSS FRAME-LENS CAN SUPPORT & INJECTION OPTICS BULKHEAD	33		
	1	14866	LENS CAN FOCUS MOTOR MOUNT-LENS 1 SIDE	32		
	1	14865	LENS CAN & FOCUS SUPPORT TEE-LENS 1 SIDE	31		
	3	14864	LENS CAN SUPPORT-WEB TEE LENS 1 SIDE	30		
	2	14863	LENS CAN SUPPORT-INNER TEE LENS 1 SIDE	29		
	6	14862	LENS CAN SUPPORT-OUTER TEE	28		
	3	14861	LENS CAN SUPPORT-WEB TEE PRISM SIDE	27		
	3	14860	LENS CAN SUPPORT-INNER TEE PRISM SIDE	26		
	1	14578	LENS CAN SUPPORT-PRISM MOUNT BULKHEAD	25		
	3	14577	LENS CAN SUPPORT-BULKHEAD	24		
	1	14201	GRATING CELL-SUBSTRATE BOX FLOOR	23		
	1	14200	GRATING CELL-SUBSTRATE BOX RIGHT WALL	22		
	1	14198	GRATING CELL-SUBSTRATE BOX LEFT WALL	21		
	2	14197	GRATING CELL-SUBSTRATE BOX TOP/BOTTOM WALL	20		
	1	14447	GRATING CELL PLATFORM-CORNER BRACE 2	19		
	1	13736	GRATING CELL PLATFORM-GRATING CELL MOUNT	18		
	1	13735	GRATING CELL PLATFORM-UPPER STIFFENER	17		
	1	13734	GRATING CELL PLATFORM-FRAME BRACE 4	16		
	1	13733	GRATING CELL PLATFORM-CORNER BRACE 1	15		
	1	13732	GRATING CELL PLATFORM-COVER	14		
	1	13731	GRATING CELL PLATFORM-FRAME BRACE 3	13		
	1	13730	GRATING CELL PLATFORM-FRAME BRACE 2	12		
	1	13729	GRATING CELL PLATFORM-FRAME BRACE 1	11		
	1	13728	GRATING CELL PLATFORM-GRATING CELL MOUNT SUPPORT 4	10		
	1	13727	GRATING CELL PLATFORM-GRATING CELL MOUNT SUPPORT 3	9		
	1	13726	GRATING CELL PLATFORM-GRATING CELL MOUNT SUPPORT 2	8		
	1	13725	GRATING CELL PLATFORM-GRATING CELL MOUNT SUPPORT 1	7		
	1	13724	GRATING CELL PLATFORM-LEFT WALL	6		
	1	13723	GRATING CELL PLATFORM-RIGHT WALL	5		
	1	13722	GRATING CELL PLATFORM-BOTTOM WALL	4		
	1	13721	GRATING CELL PLATFORM-TOP WALL	3		
	1	13720	GRATING CELL PLATFORM-FLOOR	2		
	2	13688	COMPOSITE PANEL BLANK	1		
-3	-2	-1	PART NUMBER	PART DESCRIPTION	MANUFACTURER or MAT'L SPEC	ITEM NO.

DO NOT SCALE DRAWING		THIS DRAWING CREATED IN:		Steward Observatory, University of Arizona 933 N. Cherry Avenue, Tucson, AZ 85721 (520)621-7659			
INTERPRET DIMENSIONS AND TOLERANCES IN ACCORDANCE WITH ASME Y14.5M-94		ACAD <input type="checkbox"/>	MECH <input type="checkbox"/>	IDEAS <input checked="" type="checkbox"/>	DESIGNED BY: D. DEAN/R. NAGY	DATE: 6/1/05	CATEGORY: MMT
TOLERANCES UNLESS OTHERWISE SPECIFIED				DRAWN BY: R. NAGY		PROJECT: MAESTRO	
LINEAR .1 - NA				CHECKED BY: D. DEAN/R. NAGY		TITLE: COMPOSITE PANEL PARTS LAYOUT	
ANGULAR .03 - NA				APPROVED: J. BECHTOLD		DATE: 6/15/05	
DIAMETRICAL .003 - NA				APPROVED: R. WARNER		DATE: 6/15/05	
SEE SPEC S-002				APPROVED:		PLOT SIZE SCALE: D -	
MATERIAL -		NA	MMT-MAESTRO	APPROVED:		DRAWING NUMBER: 13594	REVISION: A
FINISH NONE		NEXT ASSY	USED ON	APPROVED:		CURRENT TIME/DATE/FILE LOCATION:	
		ASSEMBLY APPLICATION		DRAWING ARCHIVE LOCATION: http://devinci.as.arizona.edu/cccd/default.html		SHEET 1 OF 3	