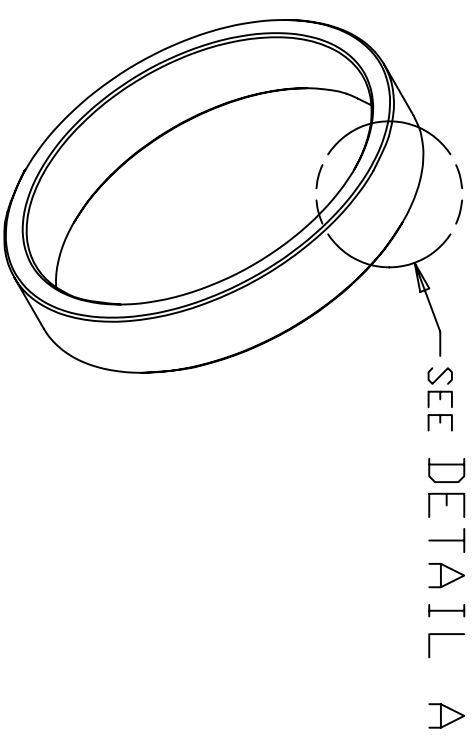
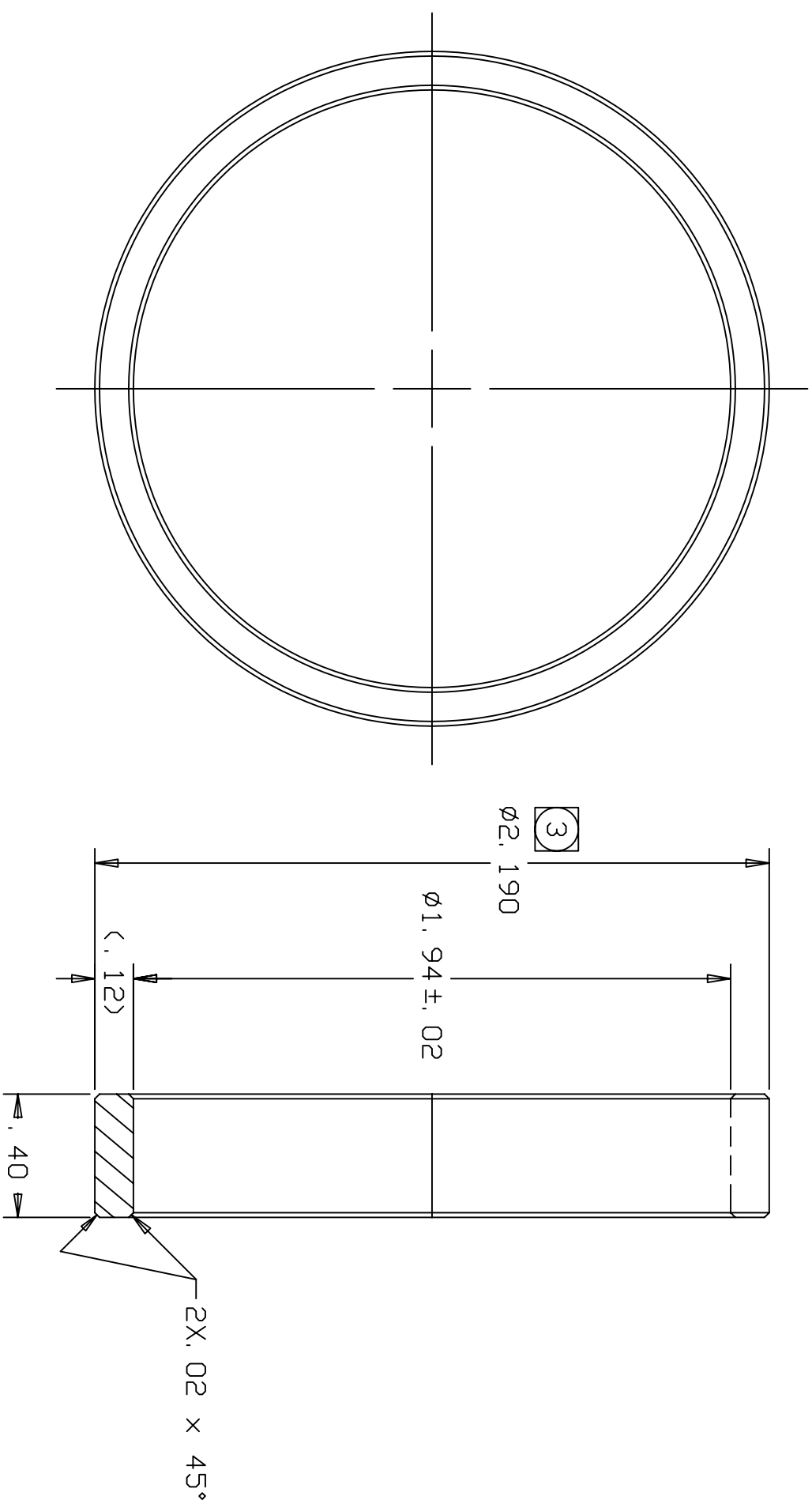
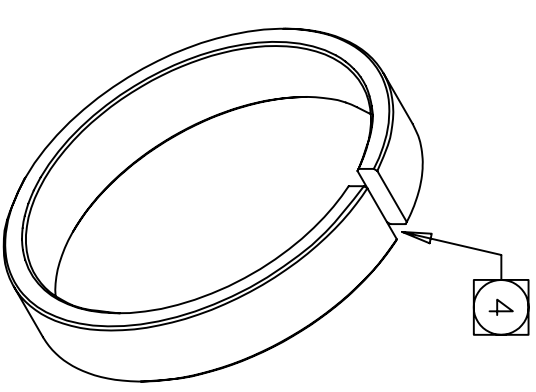


REVISIONS			
LTR	DESCRIPTION	DATE	APPROVED
A	INITIAL RELEASE	2/12/04	R. NAGY
			M. REED



SCALE NTS



DETAIL A
SCALE NTS
ALTERNATE METHOD

NOTES:

1. BREAK SHARP EDGES & DEBURR.
2. MACHINED SURFACE FINISH TO BE 125 RMS.
3. SLIP-FIT IN ID OF 13574 BASE.
4. ALTERNATE METHOD OF MANUFACTURE:
SAW CUT & SPRING OPEN RING OD SD IT SLIDES IN SAME ID
AS PER NOTE 3.

DO NOT SCALE DRAWING		THIS DRAWING CREATED IN:		Steward Observatory, University of Arizona 933 N. Cherry Avenue, Tucson, AZ 85721 (520) 621-7659	
INTERPRET DIMENSIONS AND TOLERANCES IN ACCORDANCE WITH ASME Y14.5M-94		<input type="checkbox"/> ACAD <input type="checkbox"/> MECH <input checked="" type="checkbox"/> IDEAS			
TOLERANCES UNLESS OTHERWISE SPECIFIED		DRAWN BY: R. NAGY		DATE: 2/2/04	CATEGORY: MMT
LINEAR: .X = NA .XX = ±.01 .XXX = ±.005 ANGULAR: ± 1° DIAMETRICAL: SEE SPEC S-002		CHECKED BY: D. DEAN/M. REED		DATE: 2/12/04	TITLE: TEST LENS CELL-COF2
		APPROVED BY: M. REED		DATE: 2/12/04	TITLE: POTTING JIG
		APPROVED BY:			TITLE: RISER RING
MATERIAL: 304 SST		NEXT ASSY: MMT		APPROVED BY:	PLAT SIZE: B
FINISH: NONE		USED ON:		APPROVED BY:	SCALE: 2/1
		ASSEMBLY APPLICATION:		CURRENT TIME/DATE/TILE LOCATION:	DRAWING NUMBER: 13575
				DRAWING ARCHIVE LOCATION: http://dev.incl.us.arizona.edu/acad/default.html	REVISION: A