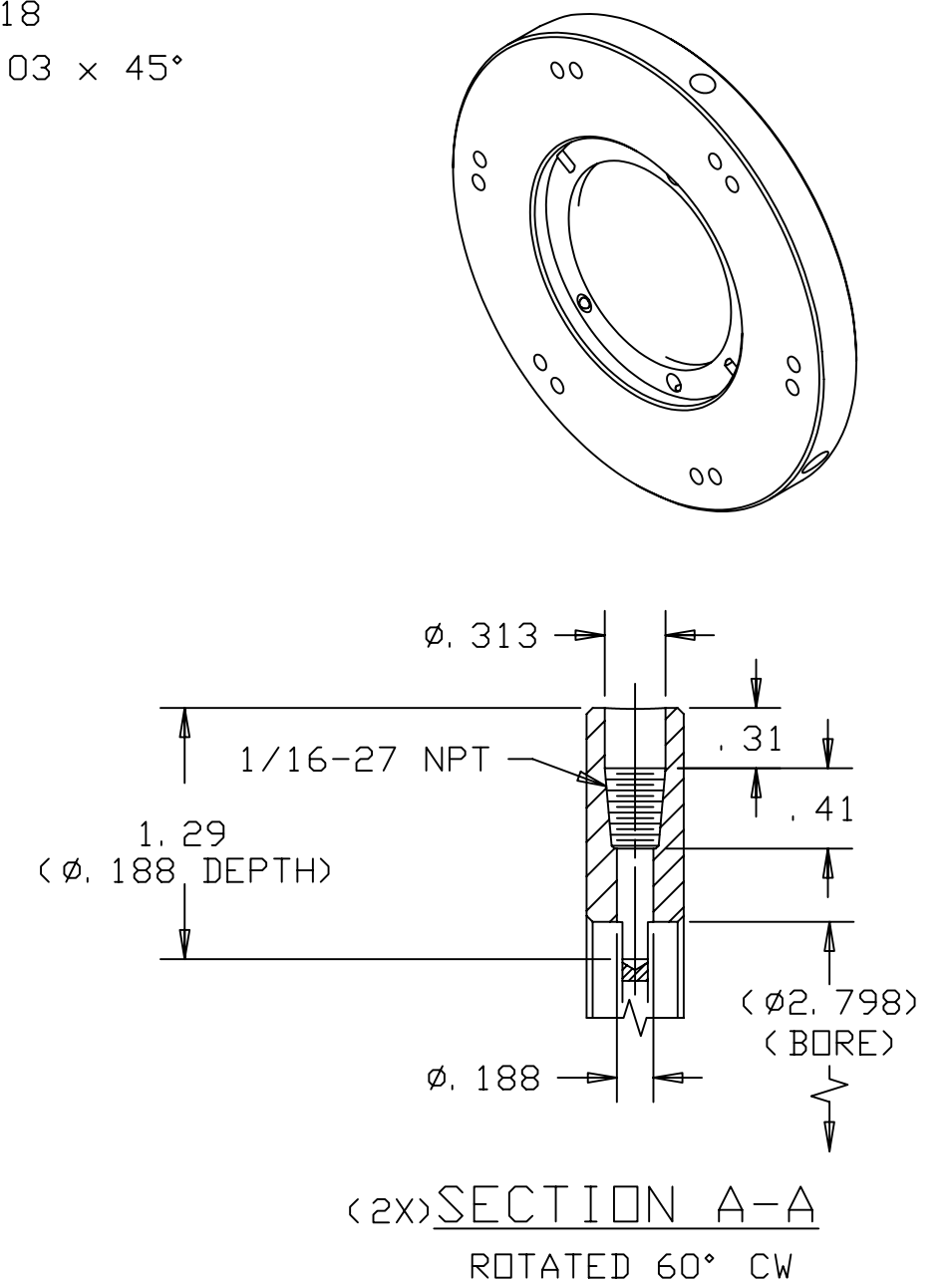
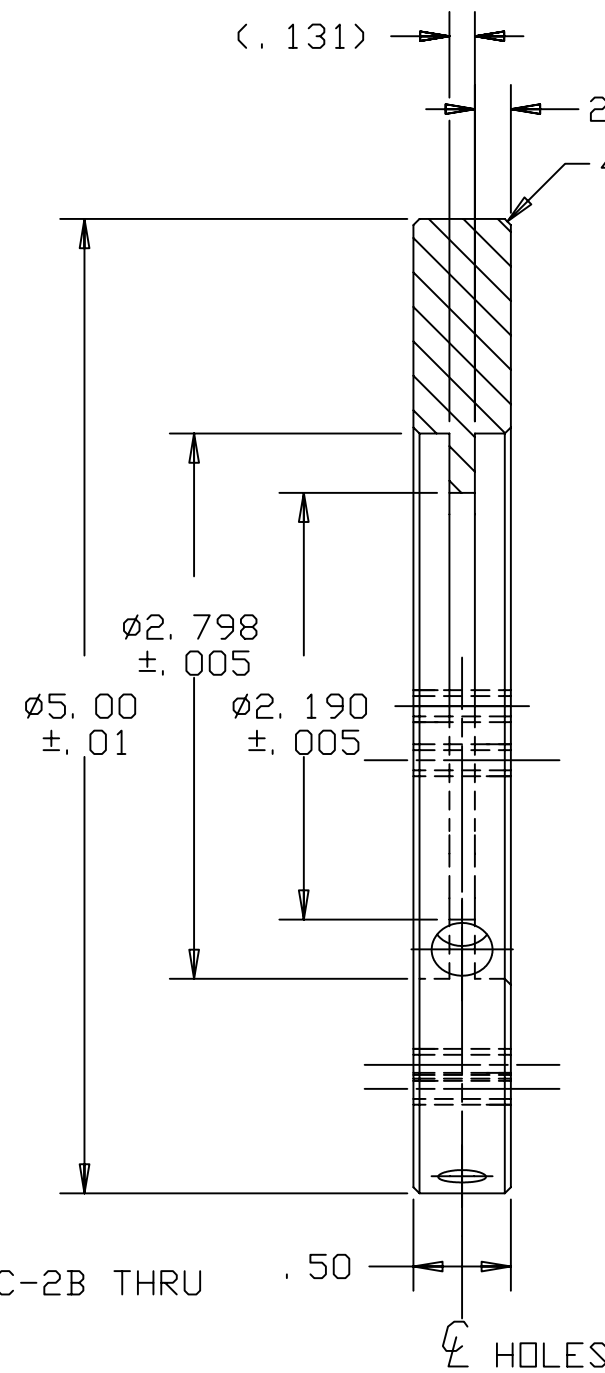
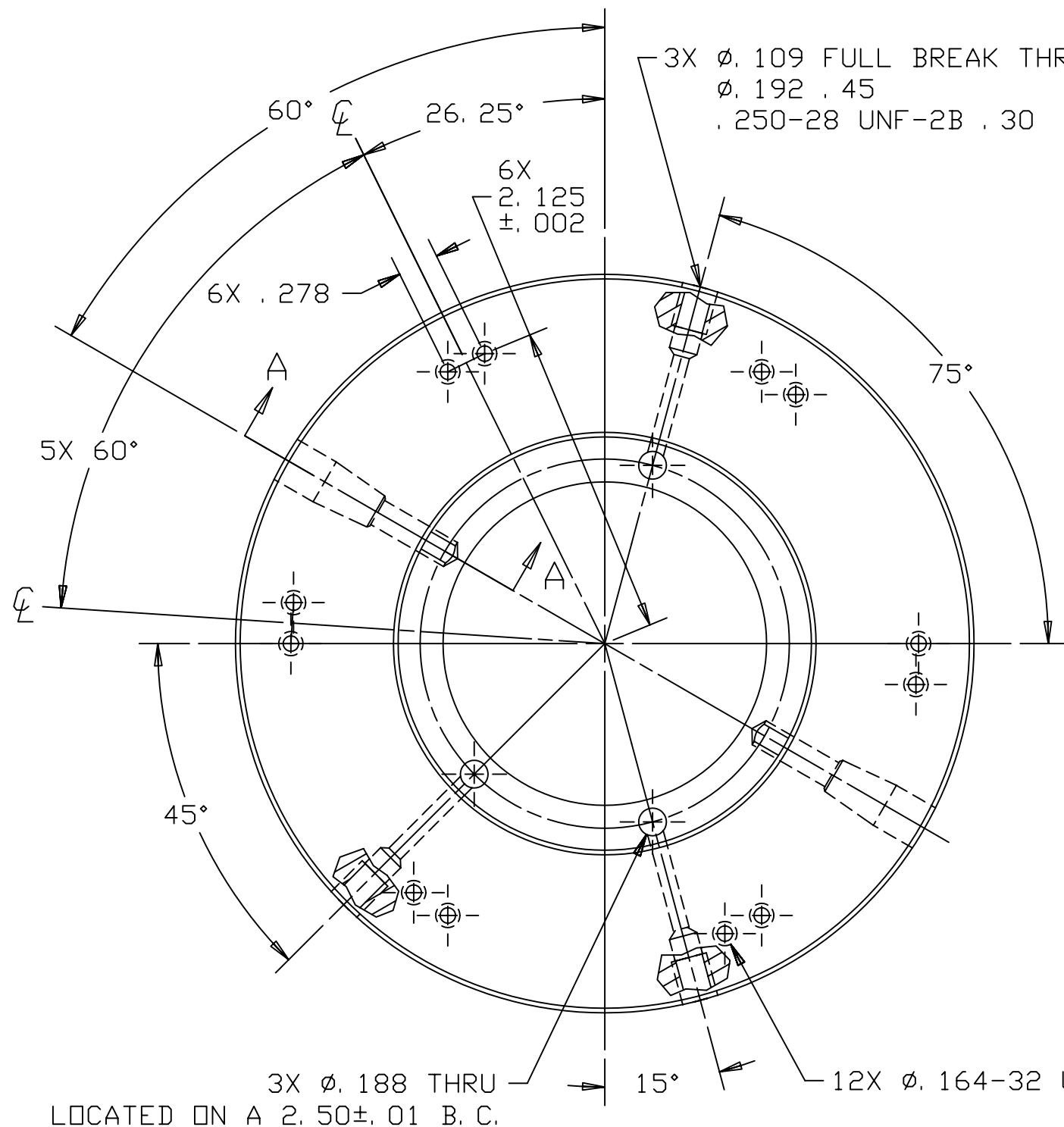


REVISIONS				
LTR	DESCRIPTION	DATE	REVISED BY	APPROVED
A	INITIAL RELEASE	12/9/03	R. NAGY	J. BECHTOLD



NOTES:

- BREAK SHARP EDGES & DEBURR.
- MACHINED SURFACE FINISH TO BE 125 RMS.
- MACHINED FILLETS TO BE .015 MAX.

DO NOT SCALE DRAWING INTERPRET DIMENSIONS AND TOLERANCES IN ACCORDANCE WITH ASME Y14.5M-94	THIS DRAWING CREATED IN: ACAD <input type="checkbox"/> MECH <input type="checkbox"/> IDEAS <input checked="" type="checkbox"/>	Steward Observatory, University of Arizona 933 N. Cherry Avenue, Tucson, AZ 85721 (520)621-7659		
TOLERANCES UNLESS OTHERWISE SPECIFIED LINEAR      ANGULAR .X = NA      ± 1° .XX = ±.01 .XXX = ±.005 DIAMETRICAL SEE SPEC S-002	DESIGNED BY: D. DEAN	DATE: 10/16/03	CATEGORY: MMT	
DIMENSIONS ARE IN INCHES / DIMENSIONS IN ( ) ARE METRIC	DRAWN BY: R. NAGY	10/20/03	PROJECT: MAESTRO	
MATERIAL 6061-T6 Al	CHECKED BY: S. MATHEWS/D. DEAN	11/06/03	TITLE: TEST LENS CELL-CaF2 LENS	
FINISH NONE	APPROVED: J. BECHTOLD	12/9/03	DRAWING NUMBER: 13280	
	APPROVED: M. REED	12/9/03	PLOT SIZE B	SCALE: 1/1
	APPROVED:		DRAWING NUMBER: 13280	REVISION: A
	ASSEMBLY APPLICATION	CURRENT TIME/DATE/FILE LOCATION:	SHEET 1 OF 1	
		DRAWING ARCHIVE LOCATION: <a href="http://davinci.as.arizona.edu/acad/default.html">http://davinci.as.arizona.edu/acad/default.html</a>		