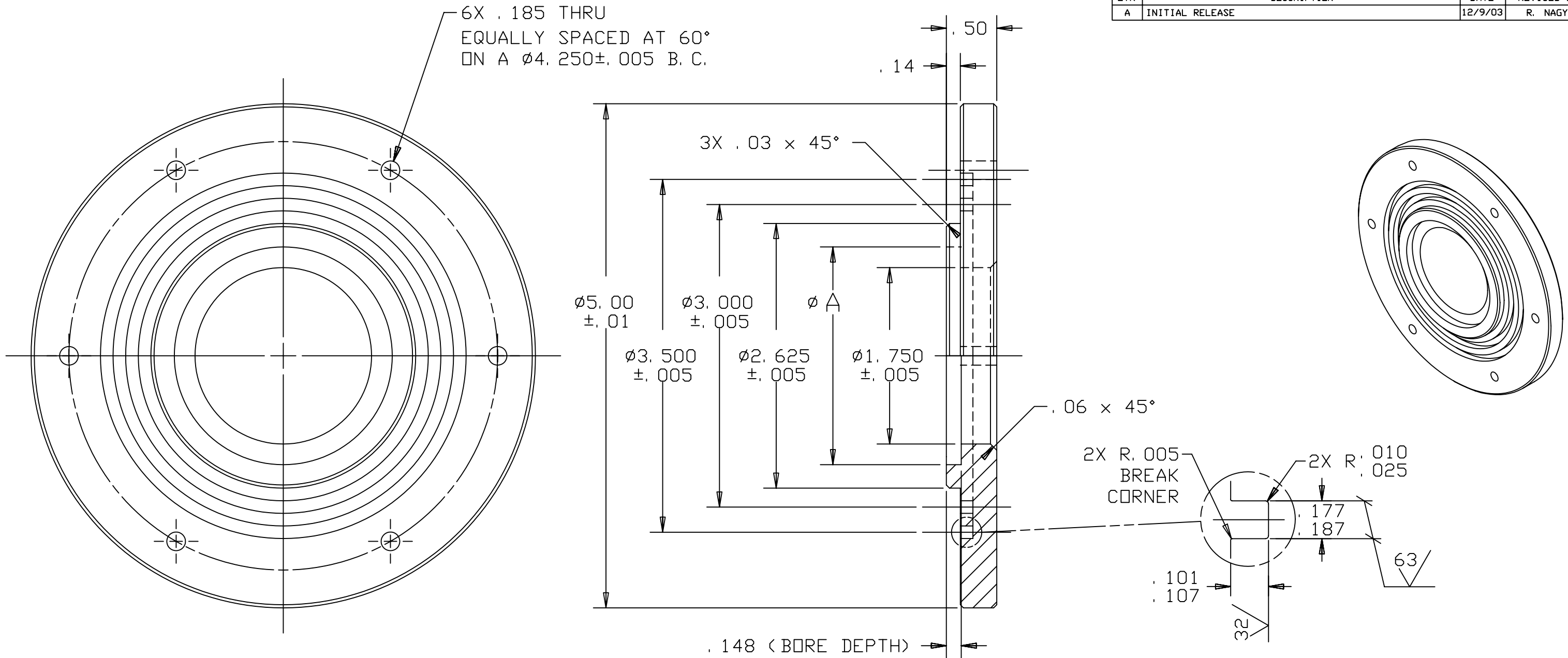


REVISIONS				
LTR	DESCRIPTION	DATE	REVISED BY	APPROVED
A	INITIAL RELEASE	12/9/03	R. NAGY	J. BECHTOLD



DASH NO.	Ø A ±.005
-1	2.160
-2	2.360

TYP O-RING GROOVE DETAIL
SCALE NTS

NOTES: UNLESS OTHERWISE SPECIFIED

- BREAK SHARP EDGES & DEBURR.
- MACHINED SURFACE FINISH TO BE 125 RMS.
- MACHINED FILLETS TO BE .015 MAX.

	13279-2	TEST LENS CELL
	13279-1	TEST LENS CELL
-3	-2	-1
QTY PER ASSY	PART NUMBER	PART DESCRIPTION

LIST OF MATERIALS

DO NOT SCALE DRAWING	THIS DRAWING CREATED IN:	Steward Observatory, University of Arizona 933 N. Cherry Avenue, Tucson, AZ 85721 (520)621-7659		
INTERPRET DIMENSIONS AND TOLERANCES IN ACCORDANCE WITH ASME Y14.5M-94	ACAD <input type="checkbox"/> MECH <input type="checkbox"/> IDEAS <input checked="" type="checkbox"/>	DESIGNED BY: D. DEAN	DATE: 10/16/03	CATEGORY: MMT
TOLERANCES UNLESS OTHERWISE SPECIFIED		DRAWN BY: R. NAGY	DATE: 10/15/03	PROJECT: MAESTRO
LINEAR	ANGULAR	CHECKED BY: S. MATHEWS/D. DEAN	DATE: 11/06/03	TITLE: TEST LENS CELL - FUSED SILICA LENS
.X = NA ± 1°	.XX = ± .01	APPROVED: J. BECHTOLD	DATE: 12/9/03	
.XXX = ± .005		APPROVED: M. REED	DATE: 12/9/03	
DIAMETRICAL SEE SPEC S-002		APPROVED:		
DIMENSIONS ARE IN INCHES / DIMENSIONS IN () ARE METRIC		APPROVED:		
MATERIAL 6061-T6 AL	13278 MMT	APPROVED:		PLOT SIZE SCALE: B 1/1
FINISH NONE	NEXT ASSY USED ON	APPROVED:		DRAWING NUMBER: 13279
	ASSEMBLY APPLICATION	CURRENT TIME/DATE/FILE LOCATION:		REVISION: A
		DRAWING ARCHIVE LOCATION: http://davinci.as.arizona.edu/acad/default.html		SHEET 1 OF 1