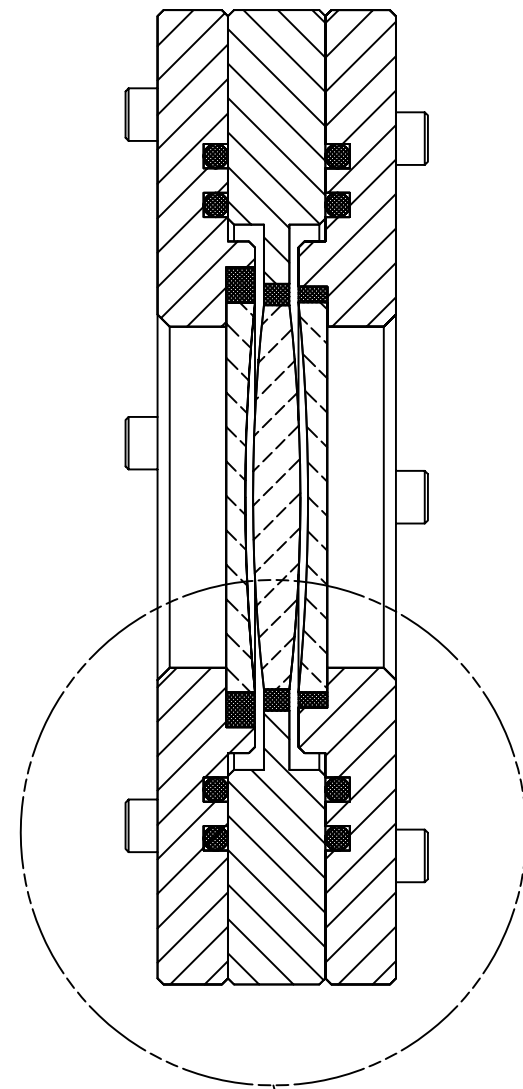
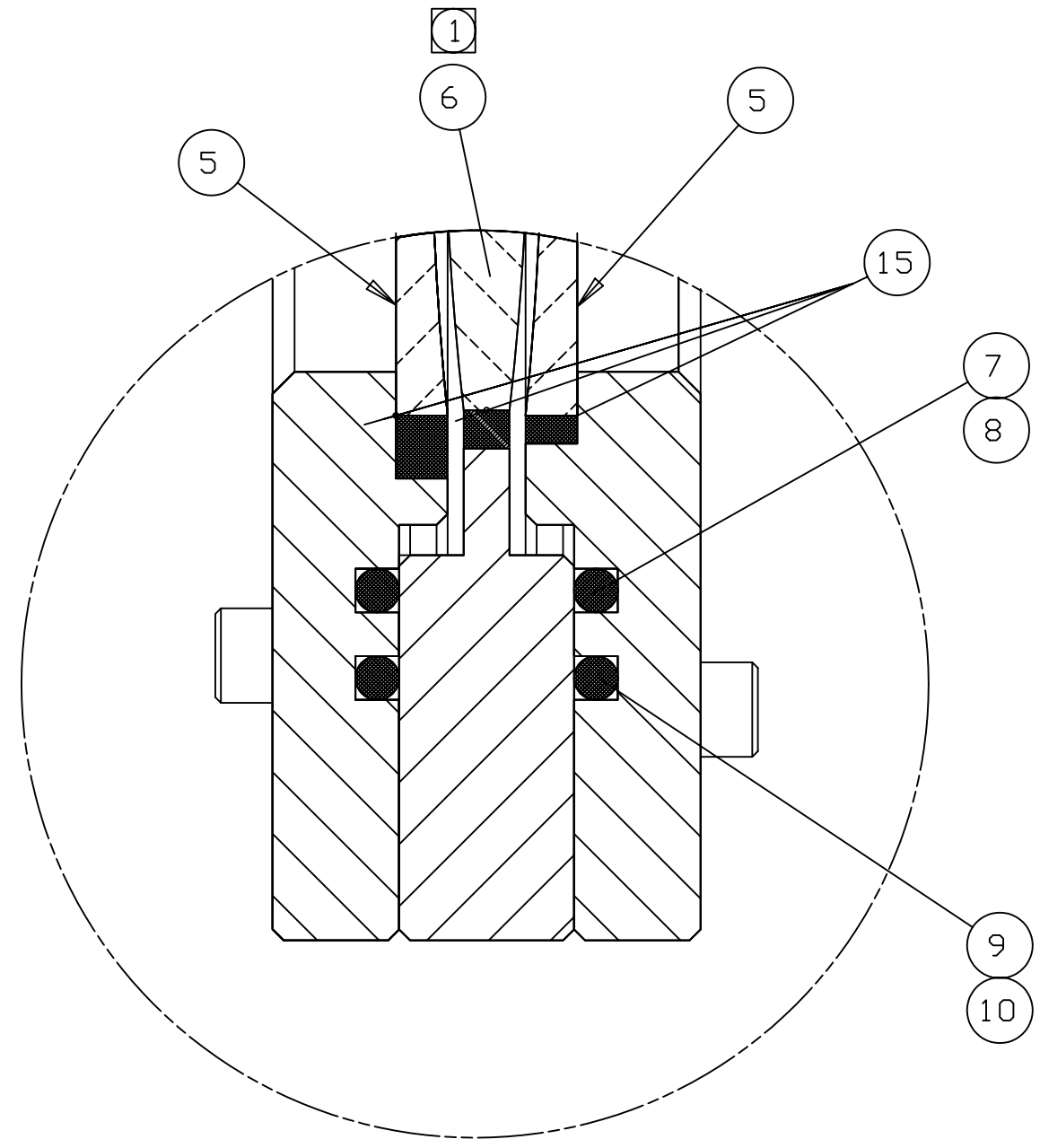


REVISIONS				
LTR	DESCRIPTION	DATE	REVISED BY	APPROVED
A	INITIAL RELEASE	12/9/03	R. NORFLEET	J. BECHTOLD
B	ADDED NOTE 1; SYLGARD 184 WAS 186	2/12/04	R. NAGY	M. REED



SEE DETAIL B
SHT 2

SECTION A-A SHT 1
SCALE: 2X



DETAIL B SHT 2
SCALE: 4X

DO NOT SCALE DRAWING INTERPRET DIMENSIONS AND TOLERANCES IN ACCORDANCE WITH ASME Y14.5M-94		THIS DRAWING CREATED IN: ACAD <input type="checkbox"/> MECH <input type="checkbox"/> IDEAS <input checked="" type="checkbox"/>		Steward Observatory, University of Arizona 933 N. Cherry Avenue, Tucson, AZ 85721 (520)621-7659			
TOLERANCES UNLESS OTHERWISE SPECIFIED LINEAR .X = NA .XX = NA .XXX = NA ANGULAR NA DIAMETRICAL SEE SPEC S-002		DESIGNED BY: D. DEAN DRAWN BY: R. NORFLEET CHECKED BY: S. MATHEWS/D. DEAN APPROVED: J. BECHTOLD APPROVED: M. REED		DATE: 10/21/03 10/29/03 12/9/03 12/9/03 12/9/03		CATEGORY: MMT PROJECT: MAESTRO TITLE: LENS TEST CELL ASSEMBLY	
MATERIAL: -	-	MMT	USED ON	PLOT SIZE: D	SCALE: 2X & NOTED	DRAWING NUMBER: 13278	REVISION: B
FINISH: -	ASSEMBLY APPLICATION			CURRENT TIME/DATE/FILE LOCATION: DRAWING ARCHIVE LOCATION: http://dev1nc1.as.arizona.edu/acad/default.html		SHEET 2 OF 2	