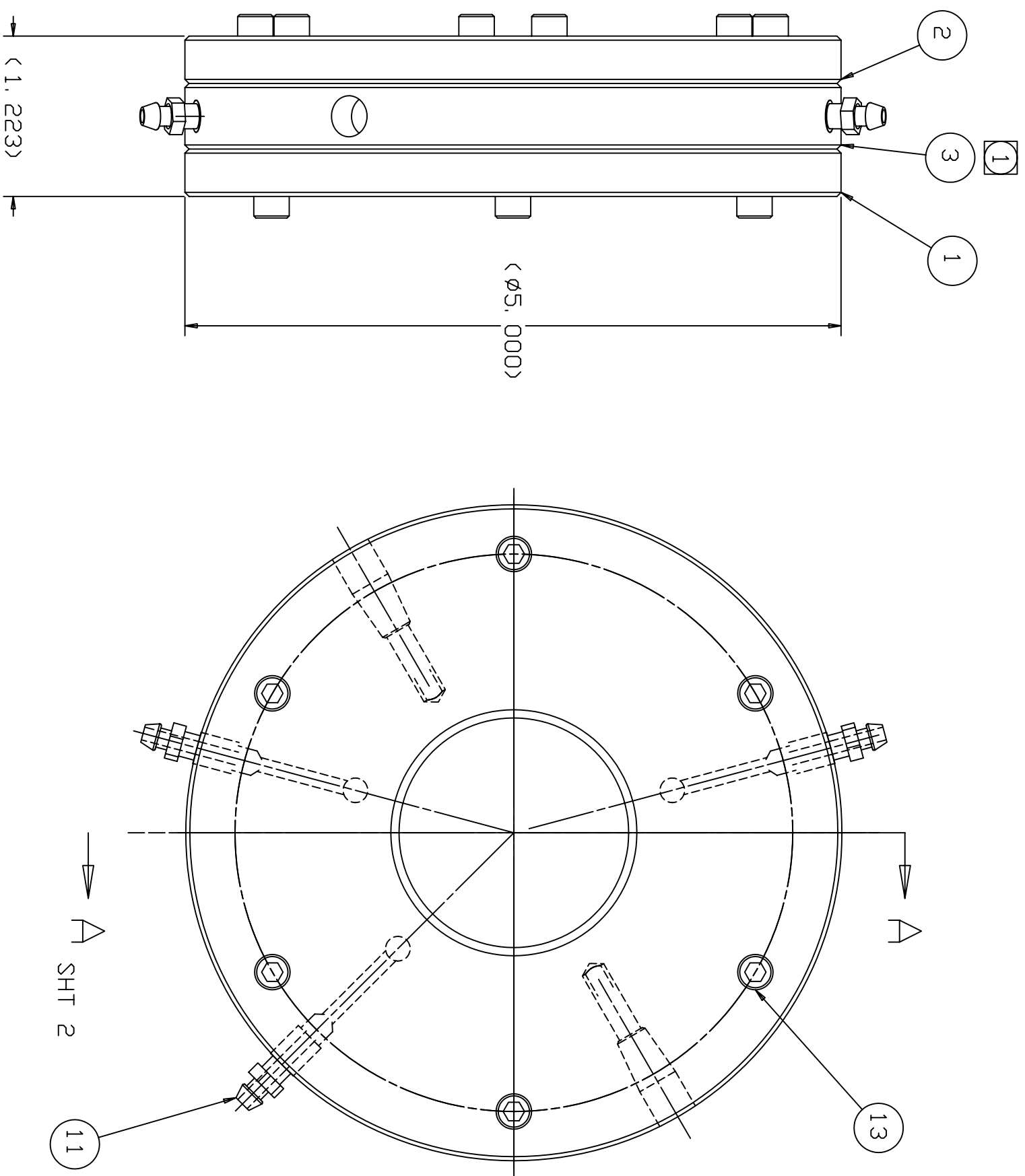
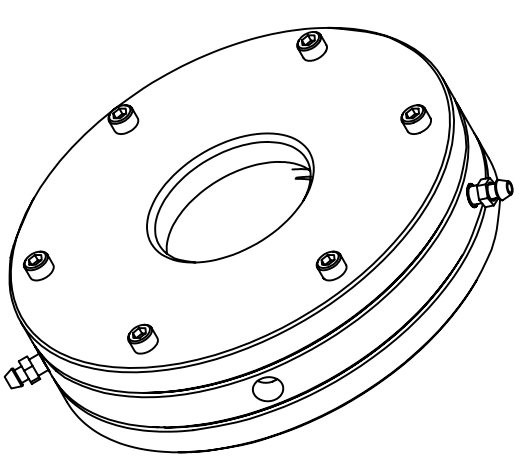


REVISIONS				
LTR	DESCRIPTION	DATE	REVISED BY	APPROVED
A	INITIAL RELEASE	12/9/03	R. NORFLEET	J. BECHTOLD
B	ADDED NOTE 1) SYLGARD 184 WAS 186	2/12/04	R. NAGY	M. REED



QTY PER ASSY	PART NUMBER	PART DESCRIPTION	MANUFACTURER OR MAT'L SPEC	ITEM NO.
-3				
-2				
-1				
	AR SYLGARD 184	ENCAPSULATING RESIN	DDV CORNING	15
				14
	12 91251A197	.164-32 UNC X .75 LG S.H.C.S. BLACK OXIDE FINISH	MCMASSTER-CARR	13
				12
	3 45-9404	.250-28 UNF x 1.00 LG. CHROME BRAKE BLEEDER SCREW	GARDNER-WESTCOTT CO.	11
	2 9557K81	3.375 ID x 3.625 OD x .125 W 'O' RING - EPDM	MCMASSTER-CARR	10
	2 9464K237	3.375 ID x 3.625 OD x .125 W 'O' RING - VITON	MCMASSTER-CARR	9
	2 9464K233	2.875 ID x 3.125 OD x .125 W 'O' RING - VITON	MCMASSTER-CARR	8
	2 9557K235	2.875 ID x 3.125 OD x .125 W 'O' RING - EPDM	MCMASSTER-CARR	7
	1 -	CaF2 Ø50mm x 250mm f.l. LENS	CRYSTRAN LTD.	6
	2 KP064	PRECISION PLAND-CONCAVE LENS, FUSED SILICA	NEWPORT CORP.	5
	1 13280	TEST LENS CELL-CaF2 LENS		4
	1 13279-2	TEST LENS CELL-FUSED SILICA LENS		3
	1 13279-1	TEST LENS CELL-FUSED SILICA LENS		2
				1

LIST OF MATERIALS

DO NOT SCALE DRAWING		THIS DRAWING CREATED IN:		 Steward Observatory, University of Arizona 933 N. Cherry Avenue, Tucson, AZ 85721 (520) 621-7659	
INTERPRET DIMENSIONS AND TOLERANCES IN ACCORDANCE WITH ASME Y14.5M-94		ACAD	MECH	IDEAS	
TOLERANCES UNLESS OTHERWISE SPECIFIED		DRAWN BY: J. DEAN		DATE: 10/21/03	CATEGORY: MMT
LINEAR: .XX = MA		CHECKED BY: R. NORFLEET		DATE: 10/29/03	PROJECT: MAESTRO
ANGULAR: MA		APPROVED BY: S. MATHEWS/D. DEAN		DATE: 12/9/03	TITLE: LENS TEST CELL ASSEMBLY
DIMENSIONAL: SEE SPEC S-002		APPROVED BY: J. BECHTOLD		DATE: 12/9/03	
MATERIAL: FINISH		APPROVED BY: M. REED		DATE: 12/9/03	
NEXT ASSY USED ON: MMT		APPROVED BY: M. REED		DATE: 12/9/03	
ASSEMBLY APPLICATION: FINISH		APPROVED BY: M. REED		DATE: 12/9/03	
CURRENT TIME/DATE/TITLE LOCATION:		PLOT SIZE SCALE: D		2X & NOTED	DRAWING NUMBER: 13278
DRAWING ARCHIVE LOCATION: http://www.irci.us.arizona.edu/acad/default.htm		REVISION: B		SHEET 1 OF 2	

NOTES:

- 1 USE 13573 POTTING JIG ASSEMBLY TO BOND ITEM 6 LENS IN ITEM 3 CELL.