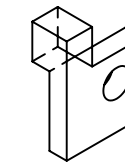
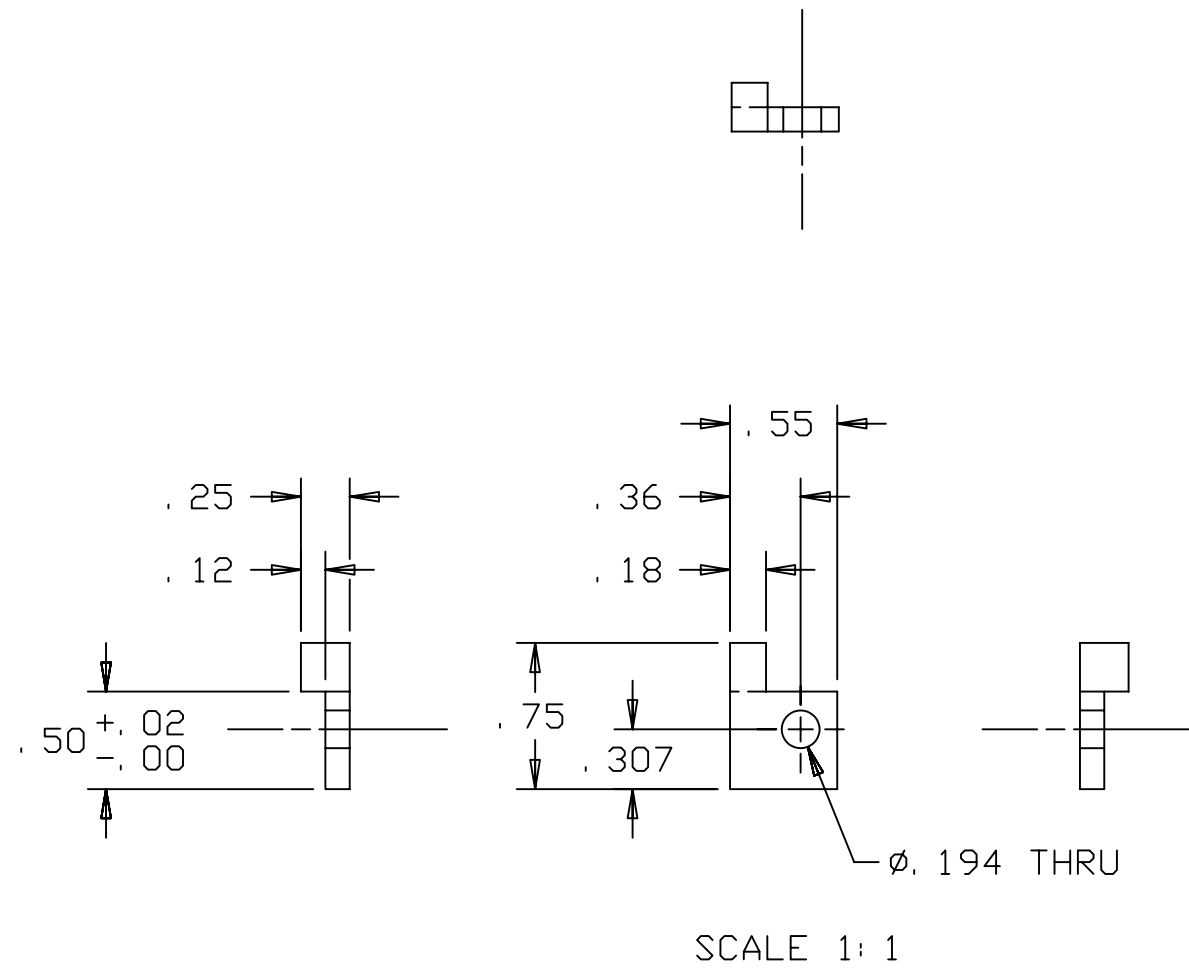



REVISIONS				
LTR	DESCRIPTION	DATE	REVISED BY	APPROVED
A	INITIAL RELEASE	9/21/04	R. NAGY	G. LANDIS



SCALE NTS

NOTES:

1. BREAK SHARP EDGES & DEBURR.
2. MACHINED SURFACE FINISH TO BE 125 RMS OR BETTER.
3. MACHINED FILLETS TO BE R. 015 MAX.
4. ZINC CHROMATE PER ASTM-B-633-98, TYPE II, BLACK.
5. DIMENSIONS ARE PRIOR TO ZINC CHROMATE.

DO NOT SCALE DRAWING		THIS DRAWING CREATED IN:		 Steward Observatory, University of Arizona 933 N. Cherry Avenue, Tucson, AZ 85721 (520)621-7659				
INTERPRET DIMENSIONS AND TOLERANCES IN ACCORDANCE WITH ASME Y14.5M-94		ACAD <input type="checkbox"/>	MECH <input type="checkbox"/>	IDEAS <input checked="" type="checkbox"/>	DESIGNED BY: D. DEAN	DATE: 5/18/04	CATEGORY: MMT	
TOLERANCES UNLESS OTHERWISE SPECIFIED LINEAR ANGULAR .X = NA 1° .XX = ±.01 .XXX = NA DIAMETRICAL SEE SPEC S-002					DRAWN BY: R. NAGY	DATE: 5/26/04	PROJECT: MAESTRO	
DIMENSIONS ARE IN INCHES / DIMENSIONS IN () ARE METRIC					CHECKED BY: G. LANDIS	DATE: 9/21/04	TITLE: LENS CAN-LENS 1 STAGE REAR LIMIT BLOCK	
MATERIAL 4340 STEEL	13557	MMT			APPROVED: S. MATHEWS	DATE: 9/21/04		
FINISH 4	NEXT ASSY	USED ON			APPROVED: M. REED	DATE: 9/21/04		
	ASSEMBLY APPLICATION				APPROVED: J. BECHTOLD	DATE: 9/21/04	PLOT SIZE B	
							SCALE: -	
							DRAWING NUMBER: 13901	
							REVISION: A	
CURRENT TIME/DATE/FILE LOCATION:							SHEET 1 OF 1	
DRAWING ARCHIVE LOCATION: http://davinci.as.arizona.edu/acad/default.html								