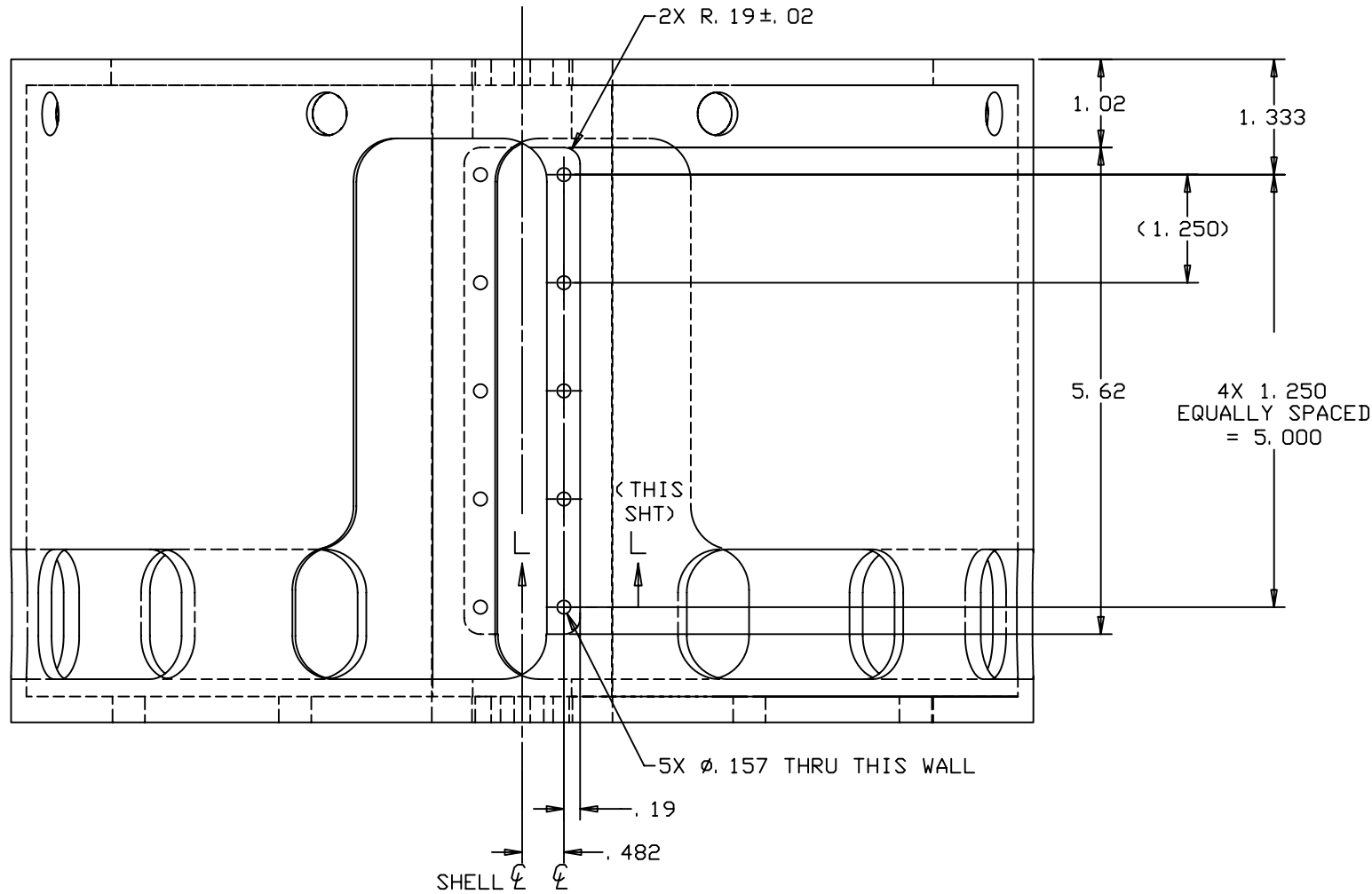
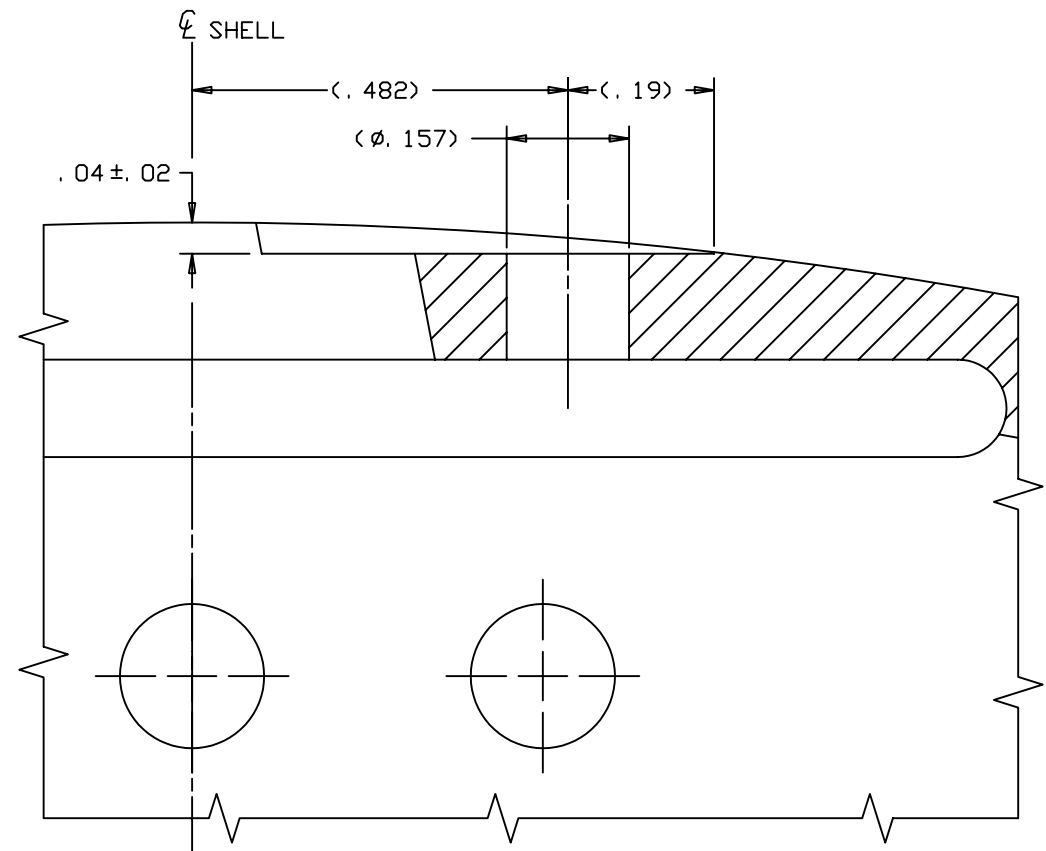


REVISIONS				
LTR	DESCRIPTION	DATE	REVISED BY	APPROVED
A	INITIAL RELEASE	9/21/04	R. NAGY	G. LANDIS



VIEW G-G
(SHT 2)
SCALE 1:1



SECTION L-L
(THIS SHT)
SCALE 8:1

DO NOT SCALE DRAWING		THIS DRAWING CREATED IN:		Steward Observatory, University of Arizona 933 N. Cherry Avenue, Tucson, AZ 85721 (520)621-7659			
INTERPRET DIMENSIONS AND TOLERANCES IN ACCORDANCE WITH ASME Y14.5M-94		ACAD	MECH	IDEAS	DESIGNED BY: D. DEAN	DATE: 7/7/04	CATEGORY: MMT
TOLERANCES UNLESS OTHERWISE SPECIFIED		<input type="checkbox"/>	<input type="checkbox"/>	<input checked="" type="checkbox"/>	DRAWN BY: R. NAGY	7/9/04	PROJECT: MAESTRO
LINEAR				CHECKED BY: G. LANDIS		9/21/04	TITLE: LENS CAN-LENS 1 STAGE SHELL
ANGULAR				APPROVED: S. MATHEWS		9/21/04	
.X = ±.03				APPROVED: M. REED		9/21/04	
.XX = ±.01				APPROVED: J. BECHTOLD		9/21/04	
.XXX = ±.005				APPROVED:			
DIAMETRICAL SEE SPEC S-002				PLOT SIZE		SCALE:	DRAWING NUMBER:
DIMENSIONS ARE IN INCHES / DIMENSIONS IN [] ARE METRIC		13558	MMT	D		-	13592
MATERIAL	7075 AL	NEXT ASSY	USED ON	CURRENT TIME/DATE/FILE LOCATION:		REVISION	
BILLET				DRAWING ARCHIVE LOCATION: http://dsvinc1.as.arizona.edu/acad/default.html		A	
FINISH	4	ASSEMBLY APPLICATION				SHEET 7 OF 7	