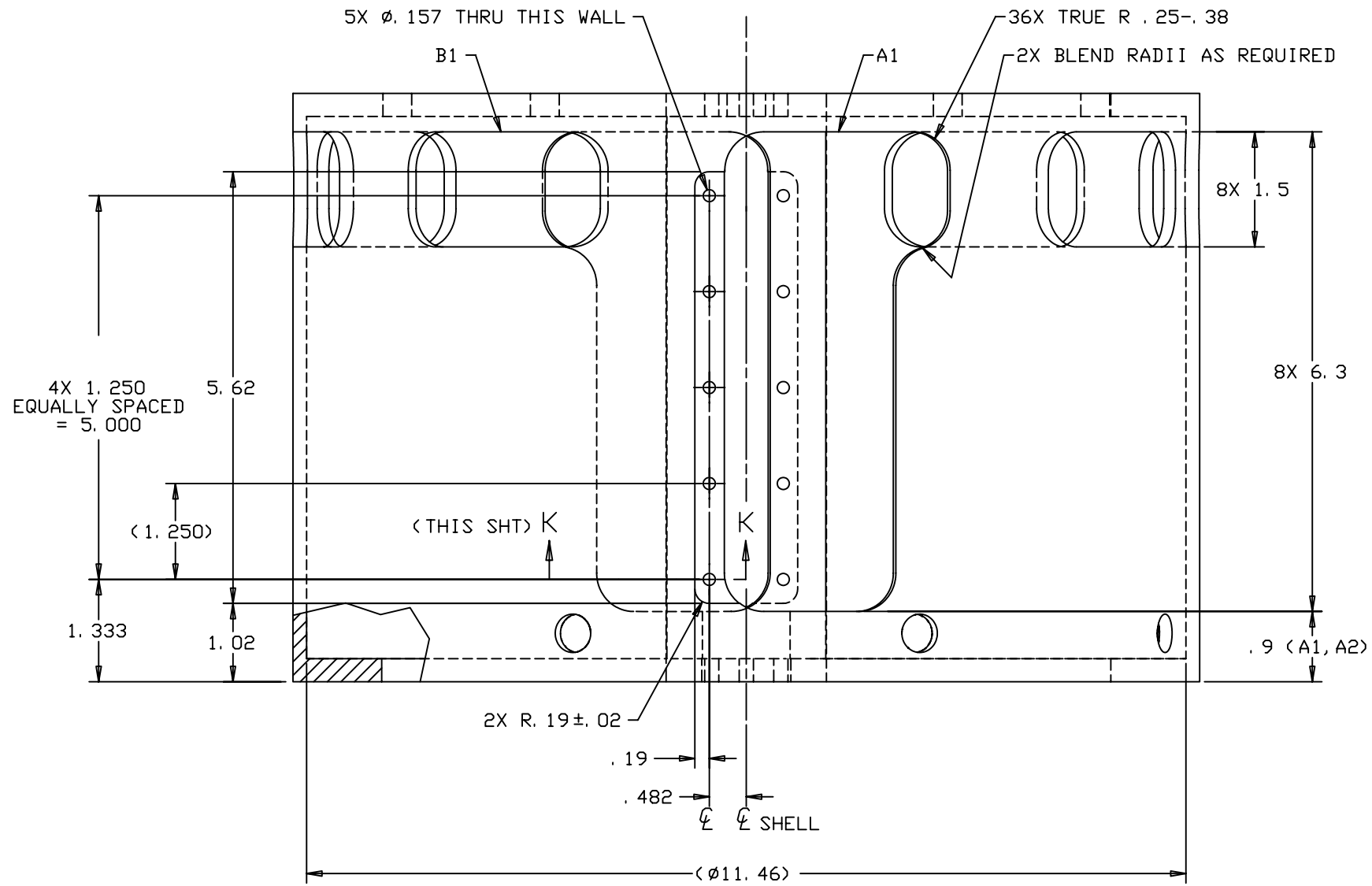
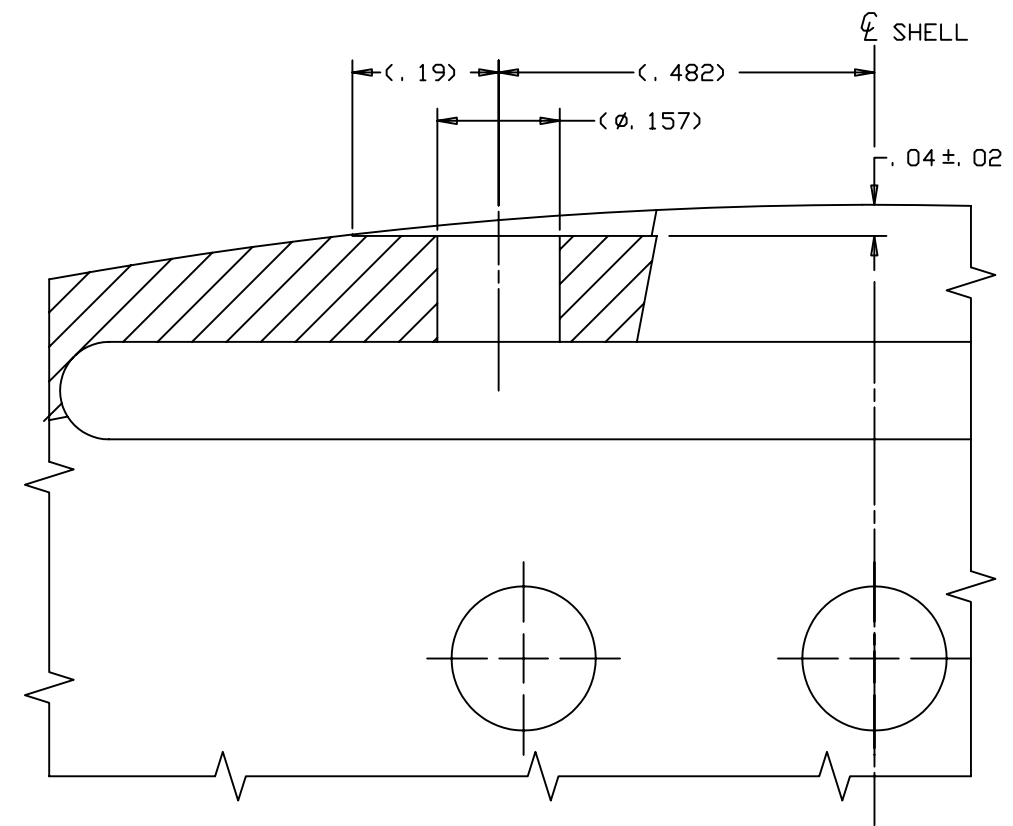


REVISIONS				
LTR	DESCRIPTION	DATE	REVISED BY	APPROVED
A	INITIAL RELEASE	9/21/04	R. NAGY	G. LANDIS



VIEW F-F  
(SHT 2)  
SCALE 1:1



SECTION K-K  
(THIS SHT)  
SCALE 8:1

DO NOT SCALE DRAWING		THIS DRAWING CREATED IN:		Steward Observatory, University of Arizona 933 N. Cherry Avenue, Tucson, AZ 85721 (520)621-7659			
INTERPRET DIMENSIONS AND TOLERANCES IN ACCORDANCE WITH ASME Y14.5M-94		ACAD	MECH	IDEAS	DESIGNED BY: D. DEAN	DATE: 7/7/04	CATEGORY: MMT
TOLERANCES UNLESS OTHERWISE SPECIFIED		<input type="checkbox"/>	<input type="checkbox"/>	<input checked="" type="checkbox"/>	DRAWN BY: R. NAGY	7/9/04	PROJECT: MAESTRO
LINEAR				CHECKED BY: G. LANDIS		9/21/04	TITLE: LENS CAN-LENS 1 STAGE SHELL
ANGULAR				APPROVED: S. MATHEWS		9/21/04	
.X = ±.03				APPROVED: M. REED		9/21/04	
.XX = ±.01				APPROVED: J. BECHTOLD		9/21/04	
.XXX = ±.005				APPROVED:			
DIAMETRICAL SEE SPEC S-002				PLOT SIZE		SCALE:	DRAWING NUMBER:
DIMENSIONS ARE IN INCHES / DIMENSIONS IN [ ] ARE METRIC		13558	MMT	D		-	13592
MATERIAL		NEXT ASSY	USED ON	CURRENT TIME/DATE/FILE LOCATION:		REVISION	
7075 A1				DRAWING ARCHIVE LOCATION: <a href="http://devinci1.as.arizona.edu/acad/default.html">http://devinci1.as.arizona.edu/acad/default.html</a>		A	
BILLET				ASSEMBLY APPLICATION		SHEET 6 OF 7	
FINISH				4			