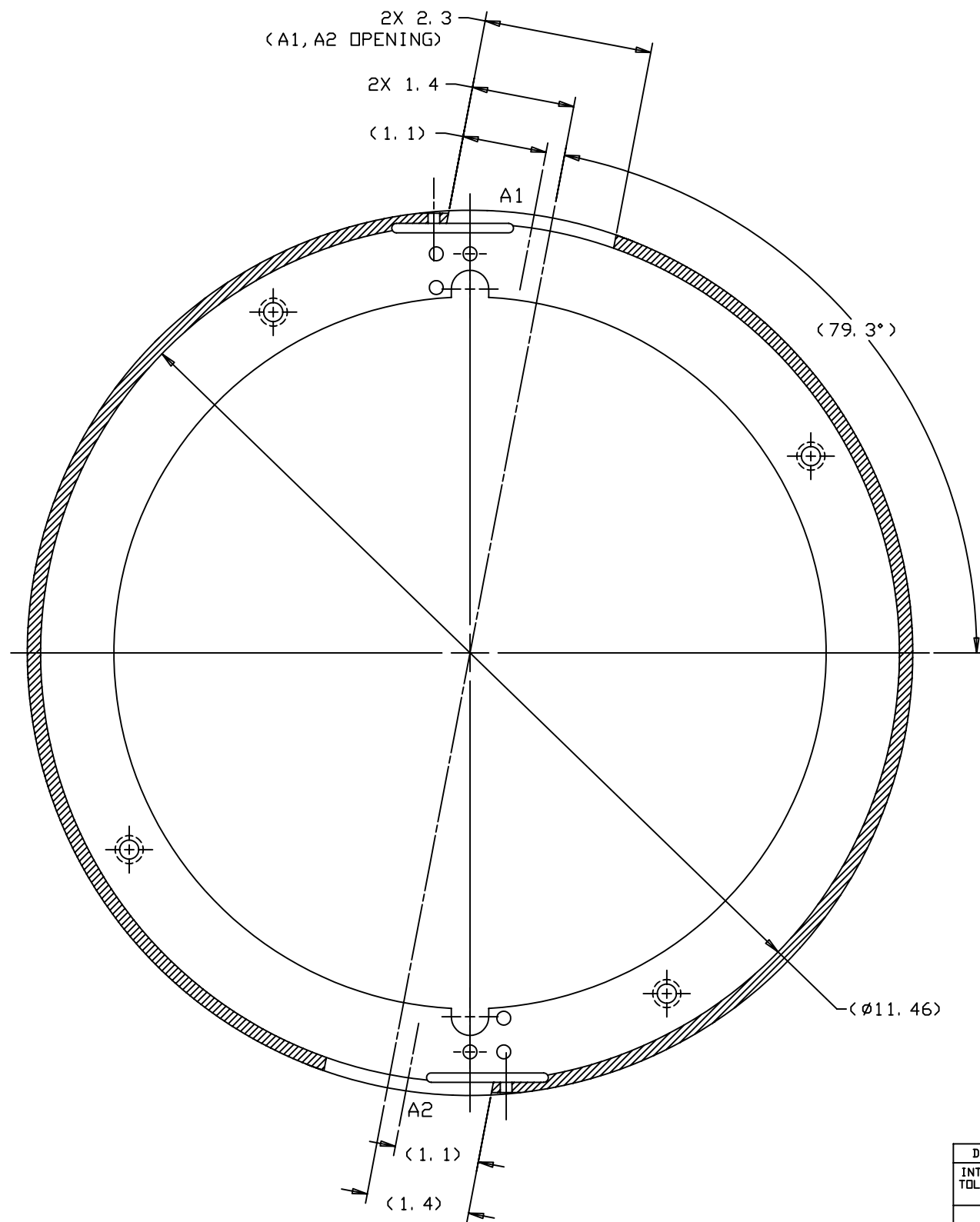


REVISIONS				
LTR	DESCRIPTION	DATE	REVISED BY	APPROVED
A	INITIAL RELEASE	9/21/04	R. NAGY	G. LANDIS



SECTION D-D
 (SHT 1)
 SCALE 1:1
 "A" OPENINGS

DO NOT SCALE DRAWING INTERPRET DIMENSIONS AND TOLERANCES IN ACCORDANCE WITH ASME Y14.5M-94		THIS DRAWING CREATED IN: ACAD <input type="checkbox"/> MECH <input type="checkbox"/> IDEAS <input checked="" type="checkbox"/>		Steward Observatory, University of Arizona 933 N. Cherry Avenue, Tucson, AZ 85721 (520)621-7659			
TOLERANCES UNLESS OTHERWISE SPECIFIED LINEAR .X = ±.03 .XX = ±.01 .XXX = ±.005 ANGULAR ±1.0° DIAMETRICAL SEE SPEC S-002		DESIGNED BY: D. DEAN		DATE: 7/7/04		CATEGORY: MMT	
MATERIAL 7075 AL BILLET		DRAWN BY: R. NAGY		7/9/04		PROJECT: MAESTRO	
FINISH 4		CHECKED BY: G. LANDIS		9/21/04		TITLE: LENS CAN-LENS 1 STAGE SHELL	
NEXT ASSY		APPROVED: S. MATHEWS		9/21/04		DRAWING NUMBER: 13592	
USED ON		APPROVED: M. REED		9/21/04		REVISION: A	
ASSEMBLY APPLICATION		APPROVED: J. BECHTOLD		9/21/04		PLOT SIZE: SCALE: D -	
CURRENT TIME/DATE/FILE LOCATION:				DRAWING ARCHIVE LOCATION: http://dsvinci.as.arizona.edu/acad/default.html			
							SHEET 4 OF 7