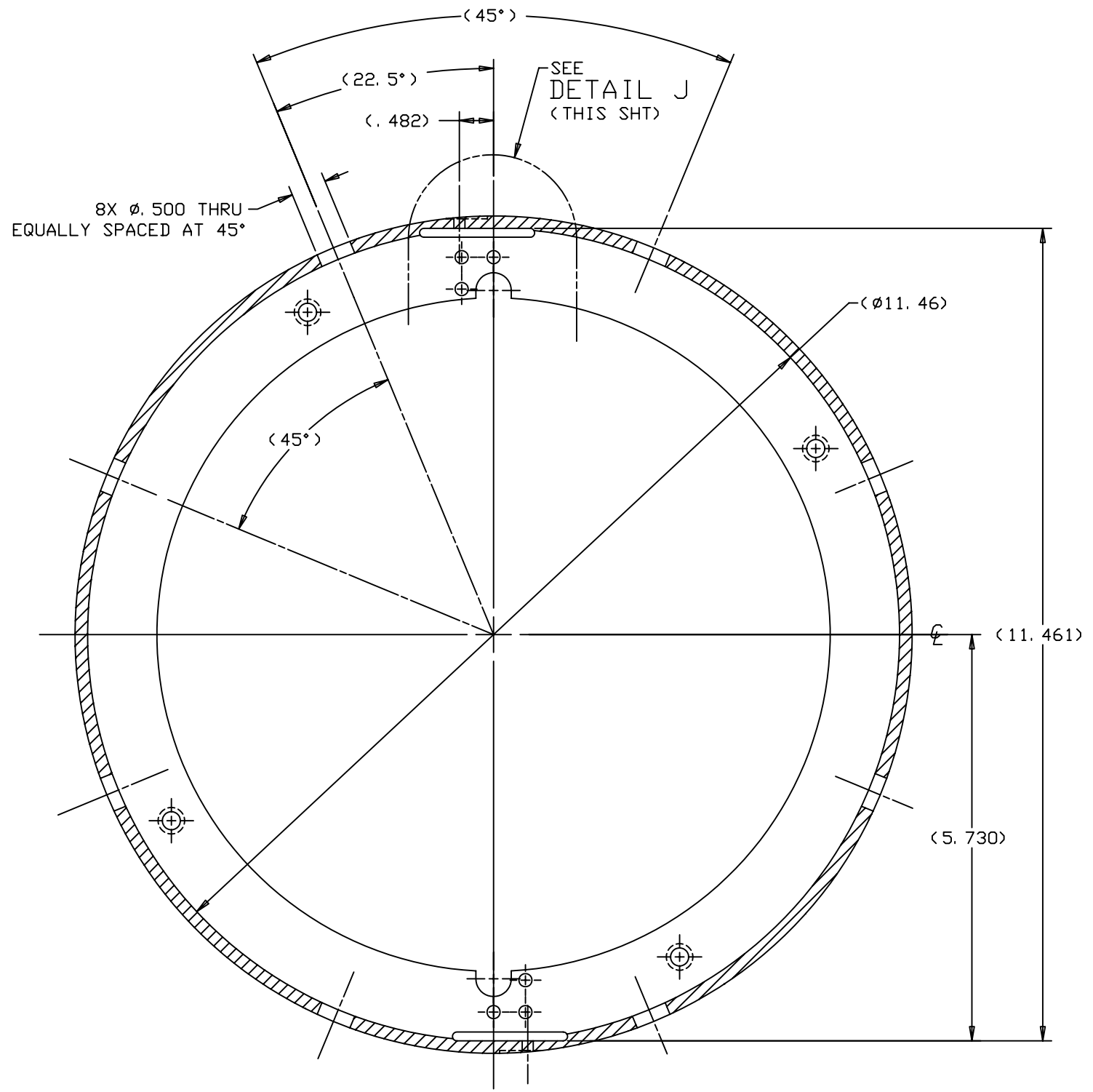
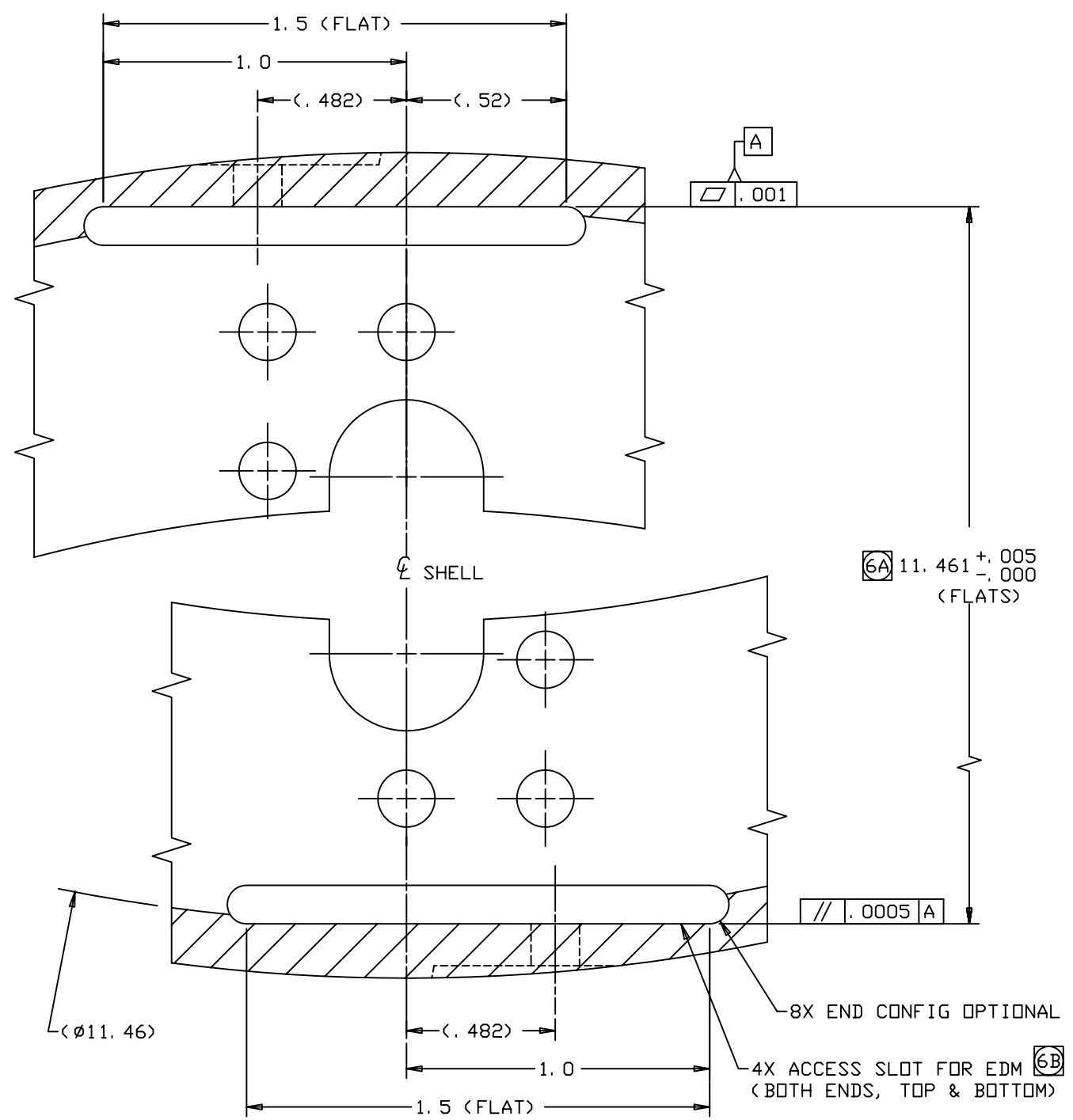


REVISIONS				
LTR	DESCRIPTION	DATE	REVISED BY	APPROVED
A	INITIAL RELEASE	9/21/04	R. NAGY	G. LANDIS



SECTION C-C  
(SHT 1)  
SCALE 1:1



6 DETAIL J  
(THIS SHT)  
SCALE 4:1

DO NOT SCALE DRAWING INTERPRET DIMENSIONS AND TOLERANCES IN ACCORDANCE WITH ASME Y14.5M-94	THIS DRAWING CREATED IN: ACAD <input type="checkbox"/> MECH <input type="checkbox"/> IDEAS <input checked="" type="checkbox"/>	Steward Observatory, University of Arizona 933 N. Cherry Avenue, Tucson, AZ 85721 (520)621-7659		
TOLERANCES UNLESS OTHERWISE SPECIFIED LINEAR .X = ±.03 .XX = ±.01 .XXX = ±.005 ANGULAR ±1.0° DIAMETRICAL SEE SPEC S-002	DESIGNED BY: D. DEAN DATE: 7/7/04 CATEGORY: MMT	DRAWN BY: R. NAGY 7/9/04 PROJECT: MAESTRO		
DIMENSIONS ARE IN INCHES / DIMENSIONS IN [ ] ARE METRIC	CHECKED BY: G. LANDIS 9/21/04 TITLE: LENS CAN-LENS 1 STAGE SHELL	APPROVED: S. MATHEWS 9/21/04		
MATERIAL 7075 Al BILLET	APPROVED: M. REED 9/21/04	APPROVED: J. BECHTOLD 9/21/04		
FINISH 4	13558 MMT NEXT ASSY USED ON	PLOT SIZE SCALE: D -	DRAWING NUMBER: 13592	
ASSEMBLY APPLICATION	CURRENT TIME/DATE/FILE LOCATION: DRAWING ARCHIVE LOCATION: <a href="http://dsv1nc1.as.arizona.edu/acad/default.html">http://dsv1nc1.as.arizona.edu/acad/default.html</a>		REVISION: A	