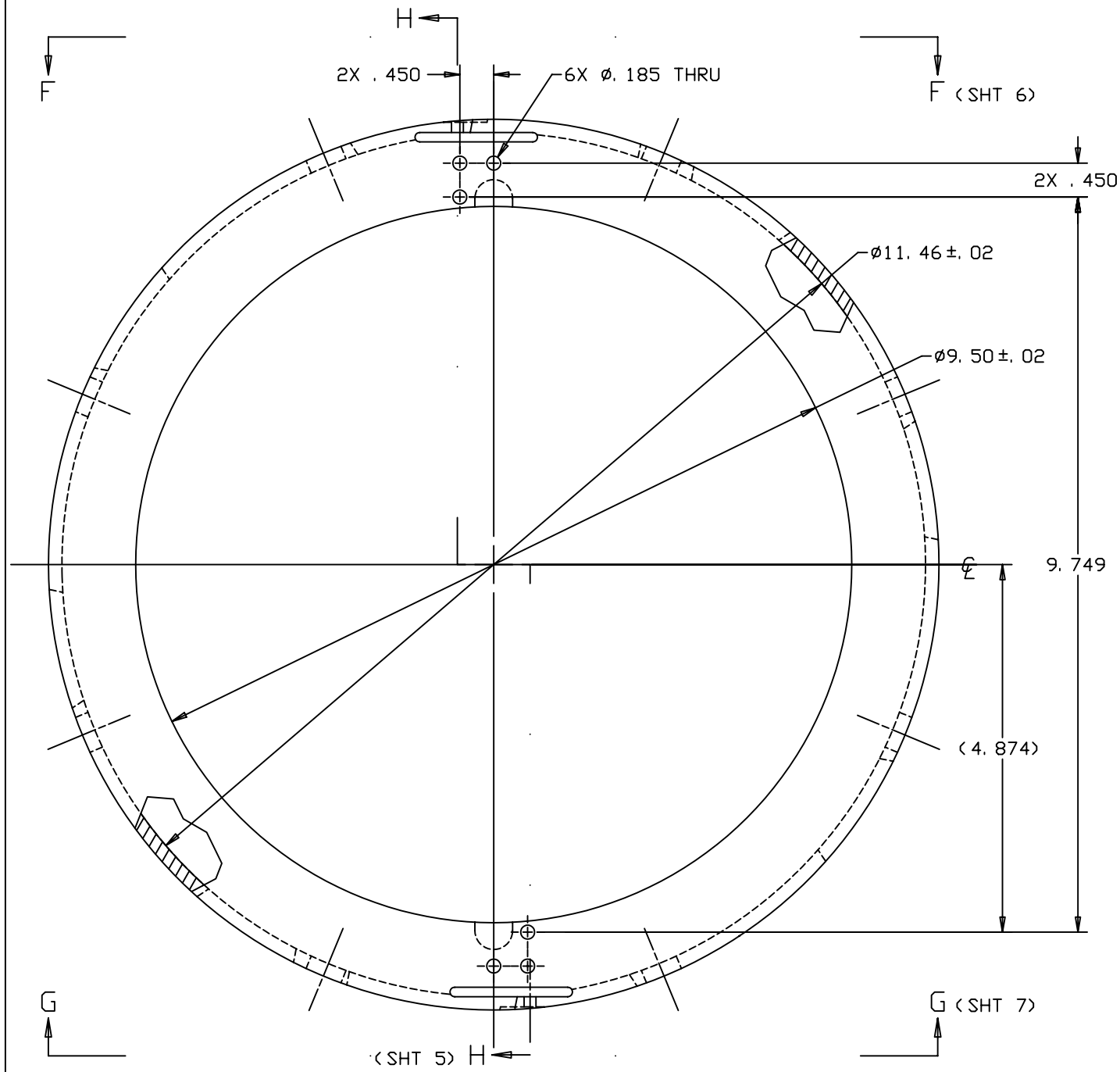
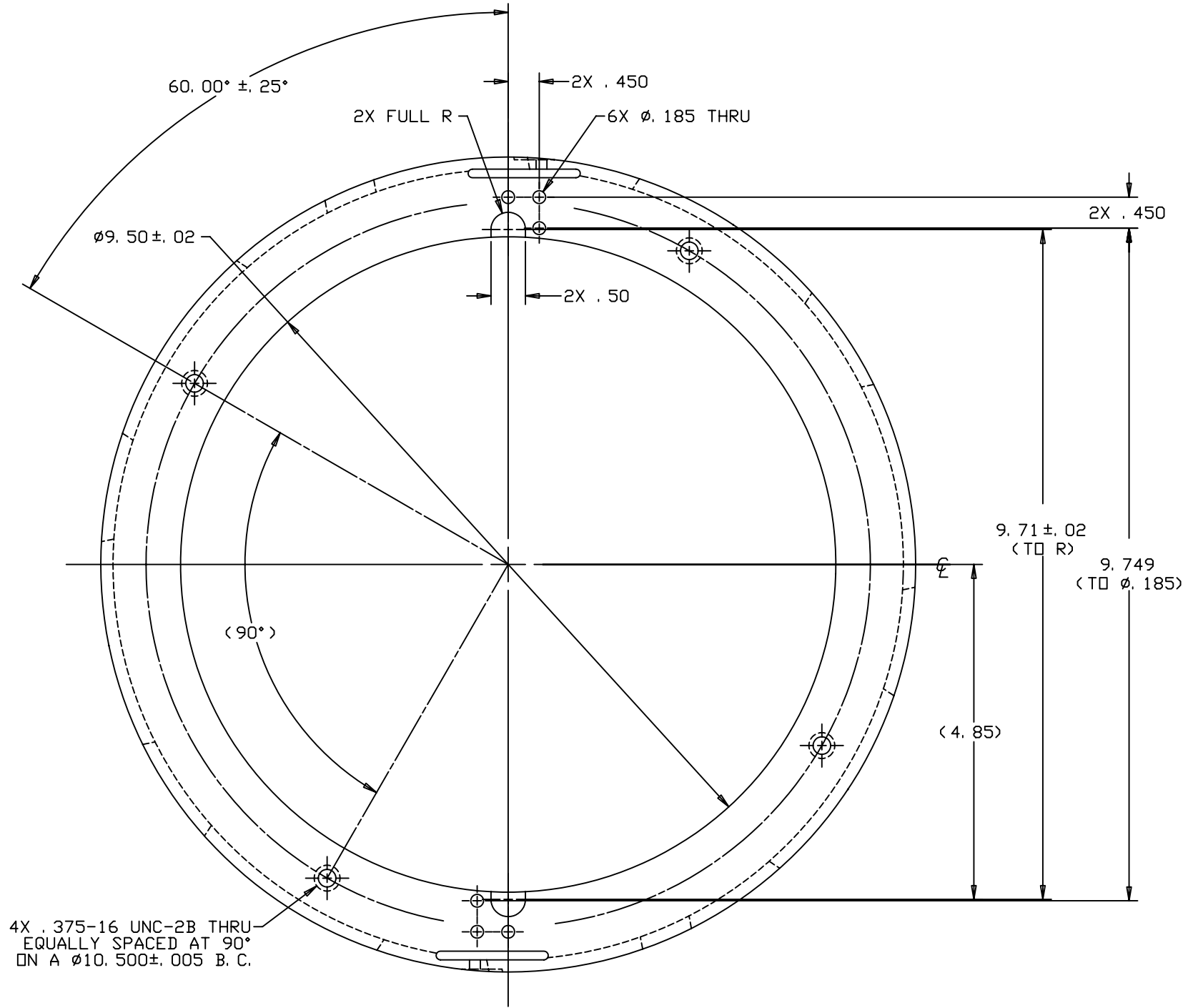


REVISIONS				
LTR	DESCRIPTION	DATE	REVISED BY	APPROVED
A	INITIAL RELEASE	9/21/04	R. NAGY	G. LANDIS



VIEW A-A  
(SHT 1)  
SCALE 1:1



4X .375-16 UNC-2B THRU  
EQUALLY SPACED AT 90°  
ON A Ø10.500±.005 B. C.

VIEW B-B  
(SHT 1)  
SCALE 1:1

DO NOT SCALE DRAWING INTERPRET DIMENSIONS AND TOLERANCES IN ACCORDANCE WITH ASME Y14.5M-94		THIS DRAWING CREATED IN: ACAD <input type="checkbox"/> MECH <input type="checkbox"/> IDEAS <input checked="" type="checkbox"/>		Steward Observatory, University of Arizona 933 N. Cherry Avenue, Tucson, AZ 85721 (520)621-7659	
TOLERANCES UNLESS OTHERWISE SPECIFIED LINEAR: .x = ±.03, .xx = ±.01, .xxx = ±.005 ANGULAR: ±1.0° DIAMETRICAL: SEE SPEC S-002		DESIGNED BY: D. DEAN	DATE: 7/7/04	CATEGORY: MMT	
DIMENSIONS ARE IN INCHES / DIMENSIONS IN [ ] ARE METRIC		DRAWN BY: R. NAGY	DATE: 7/9/04	PROJECT: MAESTRO	
MATERIAL: 7075 Al BILLET		CHECKED BY: G. LANDIS	DATE: 9/21/04	TITLE: LENS CAN-LENS 1 STAGE SHELL	
FINISH: 4		APPROVED: S. MATHEWS	DATE: 9/21/04	PLOT SIZE: D	
ASSEMBLY APPLICATION		APPROVED: M. REED	DATE: 9/21/04	SCALE: -	DRAWING NUMBER: 13592
CURRENT TIME/DATE/FILE LOCATION		APPROVED: J. BECHTOLD	DATE: 9/21/04	REVISION: A	SHEET 2 OF 7
DRAWING ARCHIVE LOCATION: http://dsvinc1.es.arizona.edu/acad/default.html					