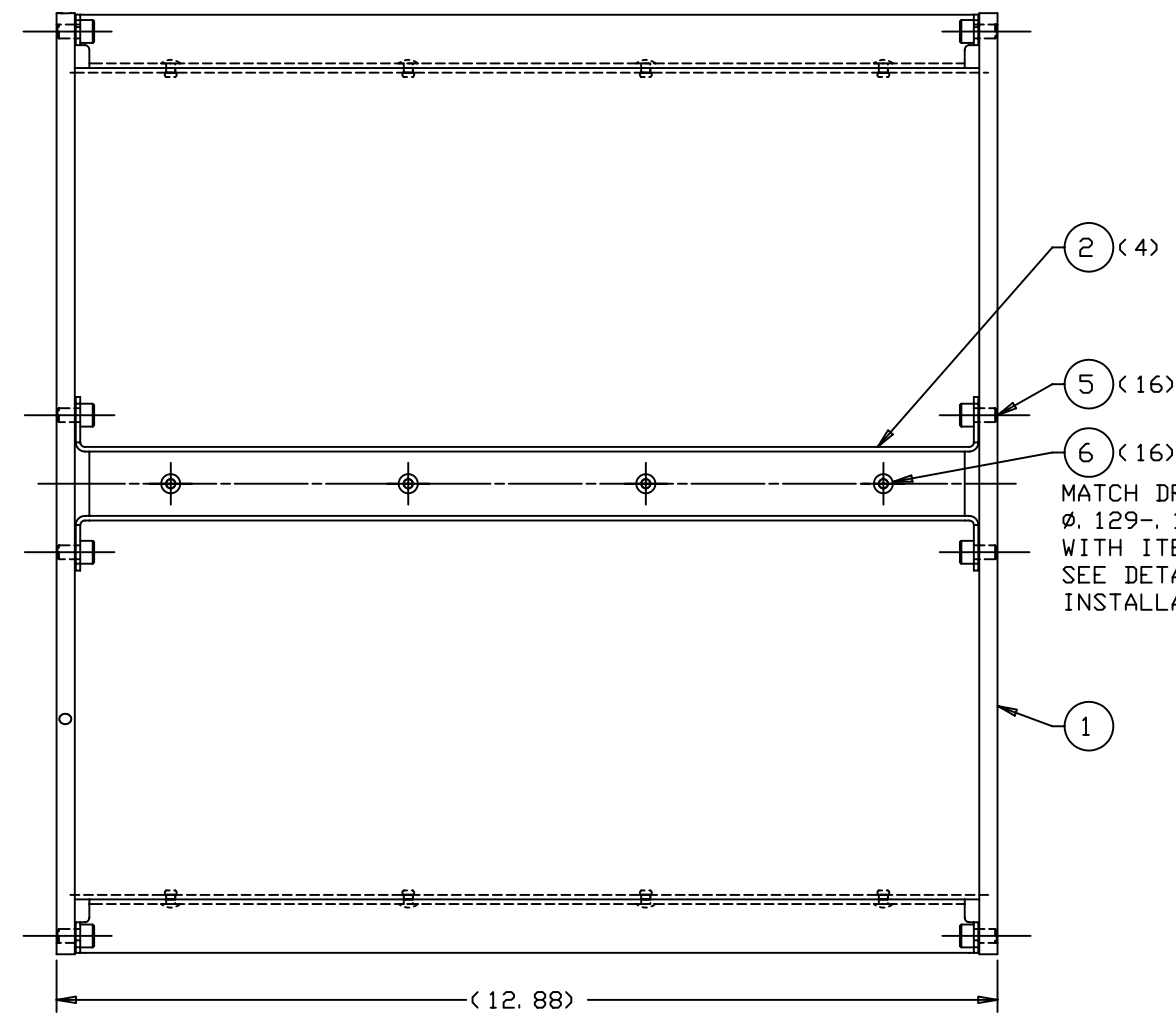
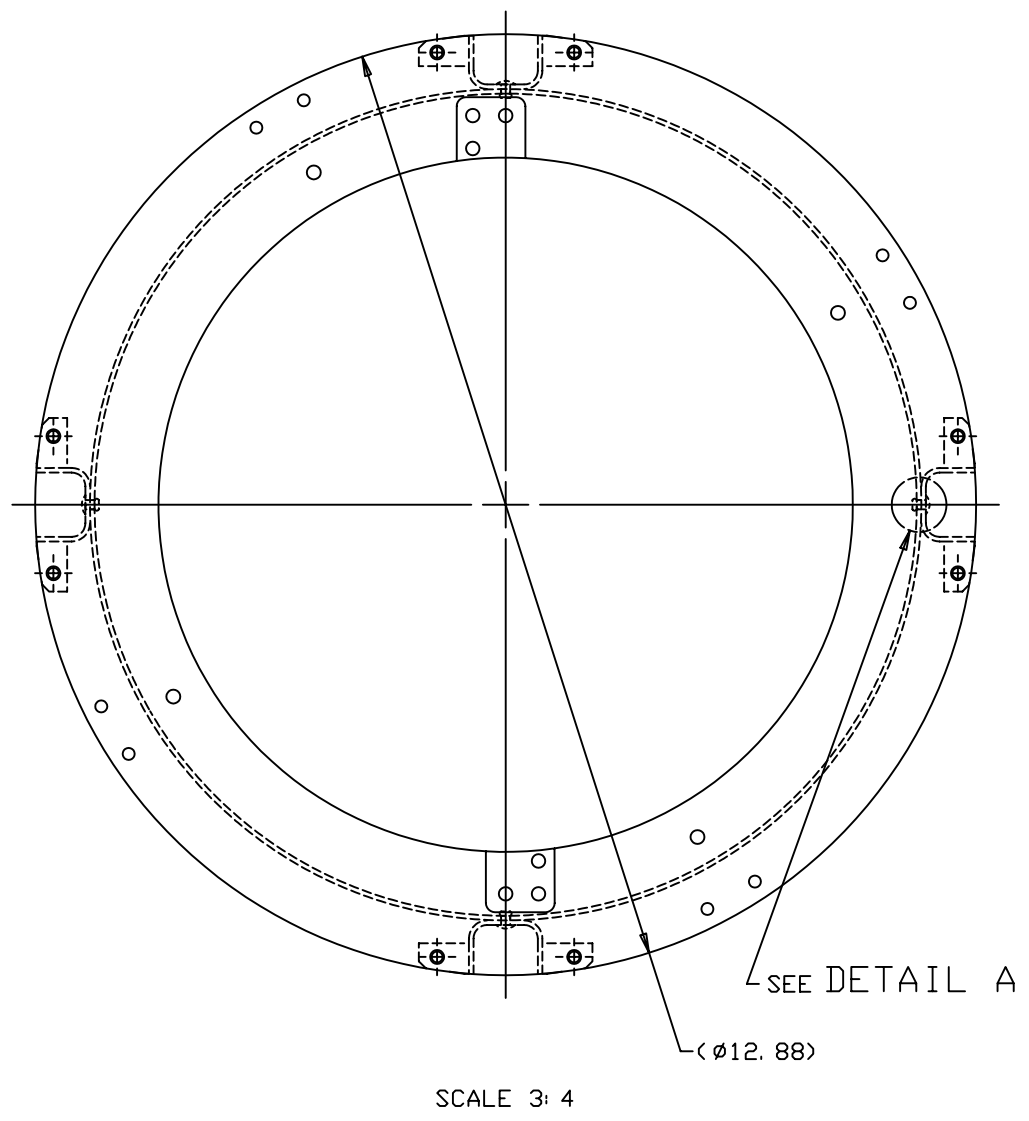
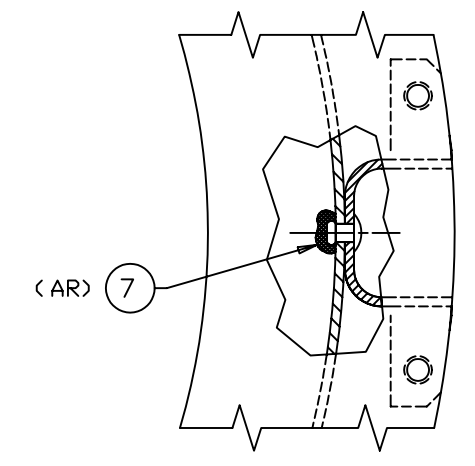


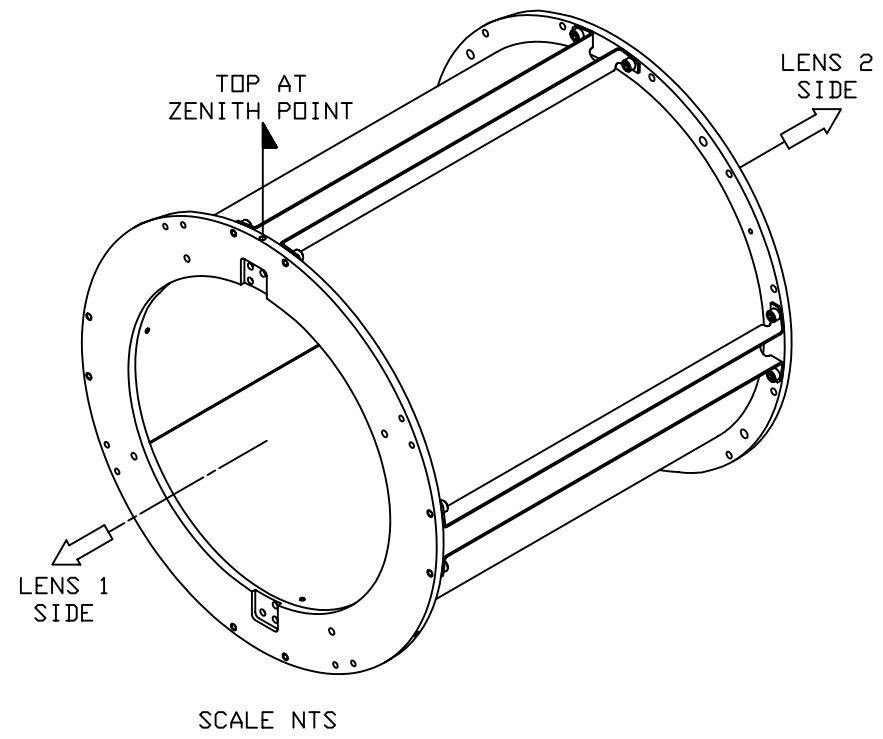
REVISIONS				
LTR	DESCRIPTION	DATE	REVISED BY	APPROVED
A	INITIAL RELEASE	8/17/04	R. NAGY	G. LANDIS



MATCH DRILL ITEM 1 SPOOL:
Ø. 129-. 133
WITH ITEM 2 STRINGER.
SEE DETAIL A FOR RIVET
INSTALLATION.



(16x)DETAIL A
SCALE 1 1/2: 1
ENCAPSULATE END OF RIVET AS SHOWN



QTY PER ASSY	-3	-2	-1	PART NUMBER	PART DESCRIPTION	MANUFACTURER or MAT'L SPEC	ITEM NO.
				AR	SYLGARD 184	RTV	DOW CORNING 7
				16	97525A415	RIVET, BLIND (POP), STANDARD, Ø. 125 x .25 LG, 18-8 SST RIVET & MANDREL	McMASTER-CARR 6
				16	91251A337	SHCS, .190-32 UNF-2A x .312, ALLOY STL, BLACK OXIDE	McMASTER-CARR 5
							4
							3
				4	13220	LENS 1 TO 2 SPOOL STRINGER	2
				1	13197	LENS 1 TO 2 SPOOL	1

DO NOT SCALE DRAWING INTERPRET DIMENSIONS AND TOLERANCES IN ACCORDANCE WITH ASME Y14.5M-94	THIS DRAWING CREATED IN: ACAD <input type="checkbox"/> MECH <input type="checkbox"/> IDEAS <input checked="" type="checkbox"/>	Steward Observatory, University of Arizona 933 N. Cherry Avenue, Tucson, AZ 85721 (520)621-7659	
TOLERANCES UNLESS OTHERWISE SPECIFIED LINEAR .XX = NA ANGULAR .XXX = NA DIAMETRICAL SEE SPEC S-002	DESIGNED BY: D. DEAN DRAWN BY: R. NAGY CHECKED BY: G. LANDIS APPROVED: S. MATHEWS APPROVED: M. REED APPROVED: J. BECHTOLD	DATE: 11/19/03 2/18/04 8/17/04 8/17/04 8/17/04	CATEGORY: MMT PROJECT: MAESTRO TITLE: LENS CAN-LENS 1 STAGE LENS 1 TO 2 SPOOL ASSEMBLY PLOT SIZE: D SCALE: - DRAWING NUMBER: 13560 REVISION: A
MATERIAL: -	13472 MMT NEXT ASSY USED ON	ASSEMBLY APPLICATION	CURRENT TIME/DATE/FILE LOCATION: DRAWING ARCHIVE LOCATION: http://dovinci.as.arizona.edu/acad/default.html
FINISH: -			SHEET 1 OF 1