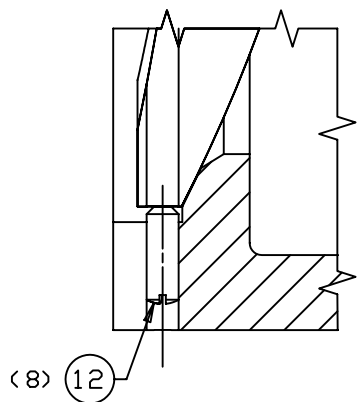
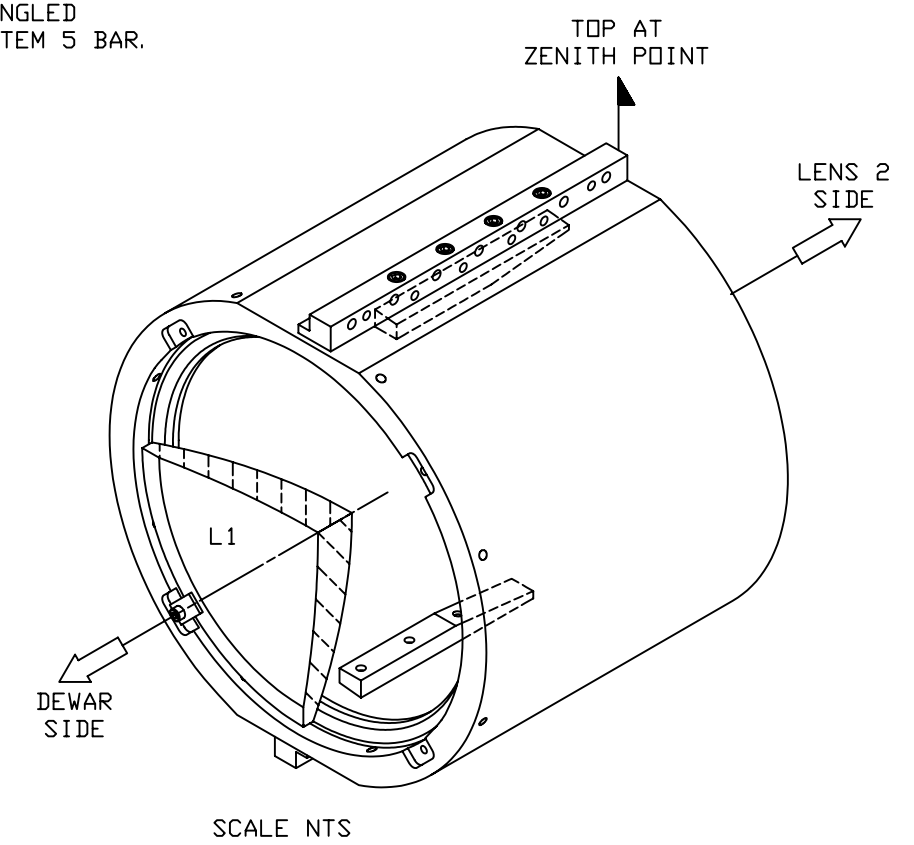
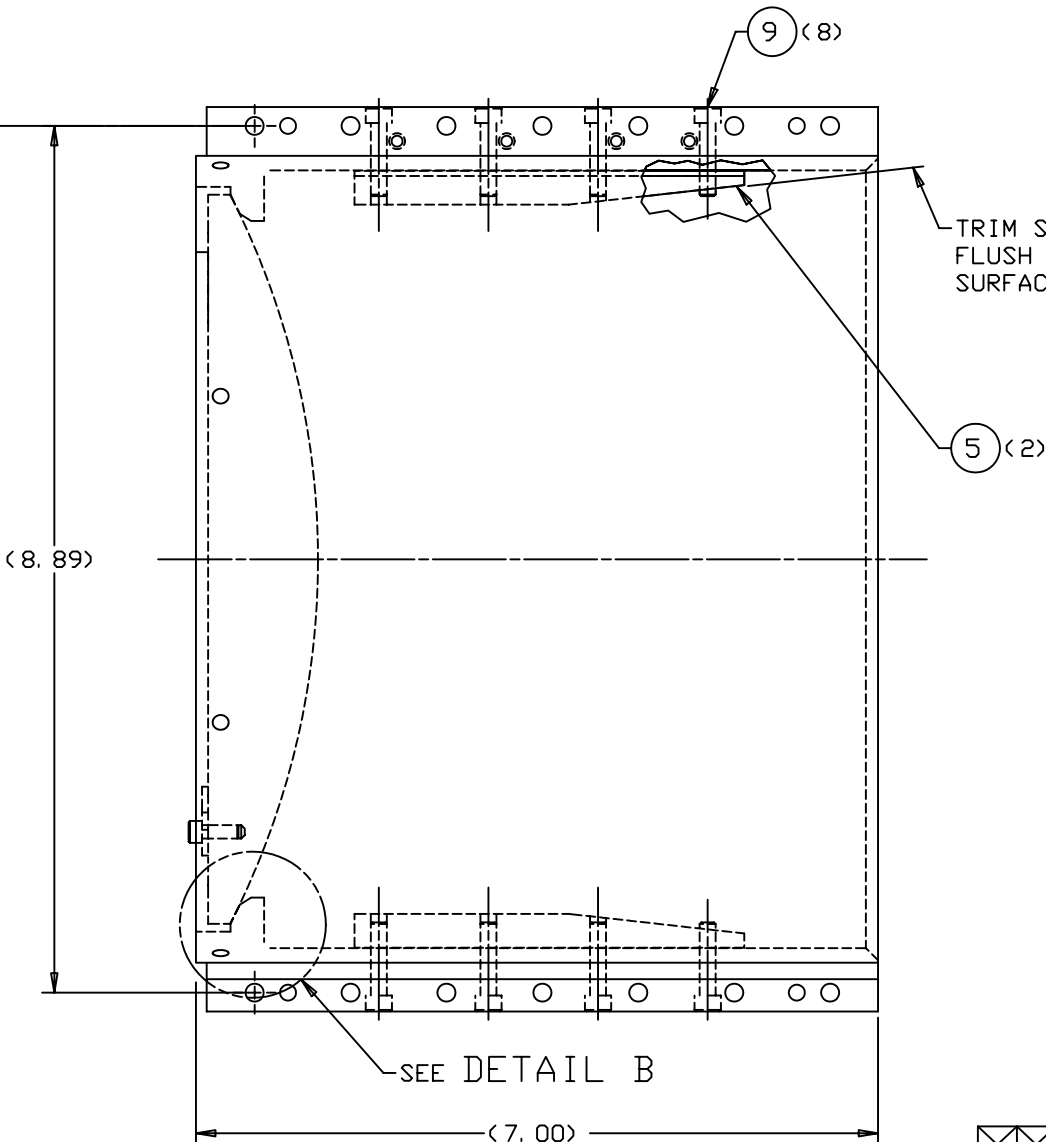
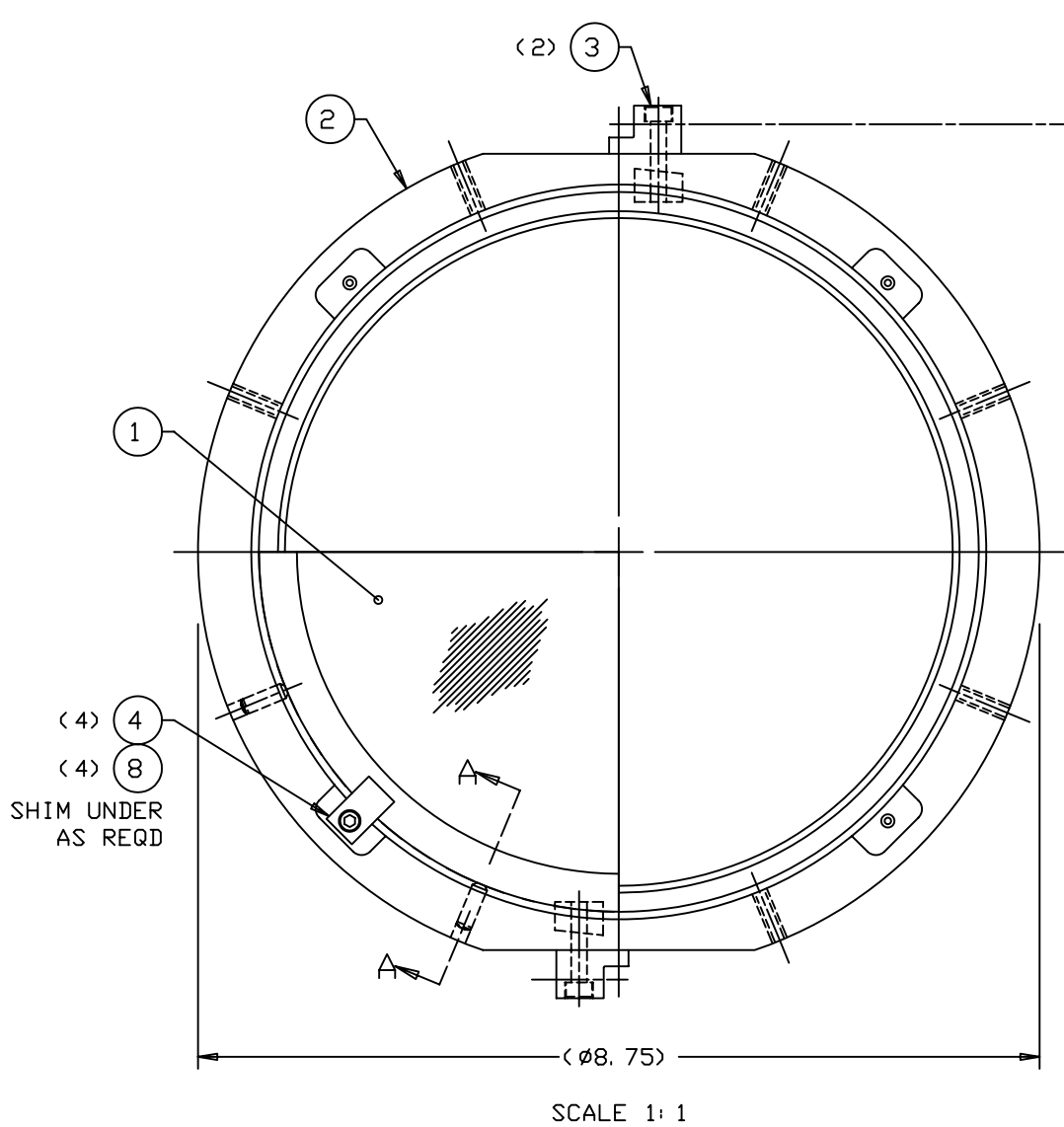
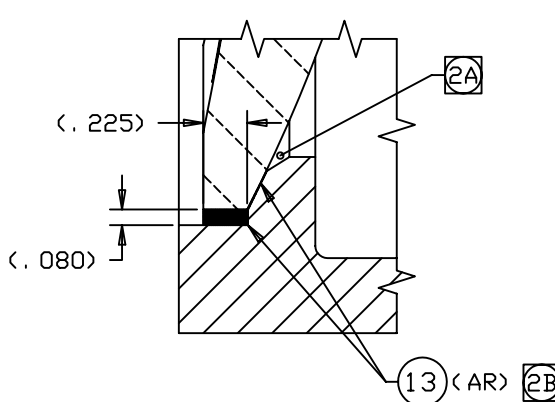


REVISIONS				
LTR	DESCRIPTION	DATE	REVISED BY	APPROVED
A	INITIAL RELEASE	8/17/04	R. NAGY	G. LANDIS



SECTION A-A  
SCALE 2:1  
ROTATED 22.5° CCW



DETAIL B  
SCALE 2:1  
LENS ENCAPSULATING AREA

QTY PER ASSY	-3	-2	-1	PART NUMBER	PART DESCRIPTION	MANUFACTURER or MAT'L SPEC	ITEM NO.
				AR SLYGARD 184	RTV	DOW CORNING	13
				8 95862A194	SETScrew, FLAT PT, SLOTTED, .164-32 UNC x .50 LG, NYLON	McMASTER-CARR	12
							11
							10
				8 91251A197	SHCS, .164-32 UNC-2A x .75 LG, ALLOY STL, BLACK OXIDE	McMASTER-CARR	9
				4 91251A146	SHCS, .138-32 UNC-2A x .375 LG, ALLOY STL, BLACK OXIDE	McMASTER-CARR	8
							7
							6
				2 13481	CROSS ROLLER GUIDE INDEX BAR NUTPLATE		5
				4 13477	LENS 1 CLIP		4
				2 13476	CROSS ROLLER GUIDE INDEX BAR		3
				1 13211	LENS 1 CELL		2
				1 12870	LENS-FOCUSING-ELEMENT 1		1

- NOTES:
- REQUIRED DOCUMENTS:
    - 12880 OPTICAL SYSTEM DRAWING.
    - SP13549 LENS CAN ALIGNMENT PROCEDURE.
    - SP13879 INSTALLATION & ALIGNMENT OF CROSSED ROLLER SLIDE RAILS ONTO L1 CELL.
  - AFTER ALIGNMENT OF LENS IN CELL:
    - AS SPECIFIED IN ALIGNMENT PROCEDURE:
      - FILL IN BEVELED AREA OF LENS CELL SHOWN IN DETAIL B WITH PUTTY.
      - ENCAPSULATE LENS IN CELL USING ITEM 13 ALL AROUND IN AREA ALSO SHOWN IN DETAIL B.

DO NOT SCALE DRAWING	THIS DRAWING CREATED IN:	Steward Observatory, University of Arizona 933 N. Cherry Avenue, Tucson, AZ 85721 (520)621-7659	
INTERPRET DIMENSIONS AND TOLERANCES IN ACCORDANCE WITH ASME Y14.5M-94	ACAD <input type="checkbox"/> MECH <input type="checkbox"/> IDEAS <input checked="" type="checkbox"/>	DESIGNED BY: D. DEAN	DATE: 1/28/04
TOLERANCES UNLESS OTHERWISE SPECIFIED LINEAR .X = NA .XX = NA .XXX = NA ANGULAR NA		DRAWN BY: R. NAGY	2/13/04
DIMENSIONS ARE IN INCHES / DIMENSIONS IN [ ] ARE METRIC		CHECKED BY: G. LANDIS	8/17/04
		APPROVED: S. MATHEWS	8/17/04
		APPROVED: M. REED	8/17/04
MATERIAL	13557 MMT	APPROVED: J. BECHTOLD	8/17/04
FINISH	NEXT ASSY USED ON	APPROVED:	
	ASSEMBLY APPLICATION	CURRENT TIME/DATE/FILE LOCATION:	
		DRAWING ARCHIVE LOCATION: <a href="http://dev1nc1.as.arizona.edu/scad/default.html">http://dev1nc1.as.arizona.edu/scad/default.html</a>	

PROJECT: MAESTRO	TITLE: LENS CAN-LENS 1 STAGE LENS 1 CELL ASSEMBLY
PLOT SIZE: D	SCALE: -
DRAWING NUMBER: 13559	REVISION: A

SHEET 1 OF 1