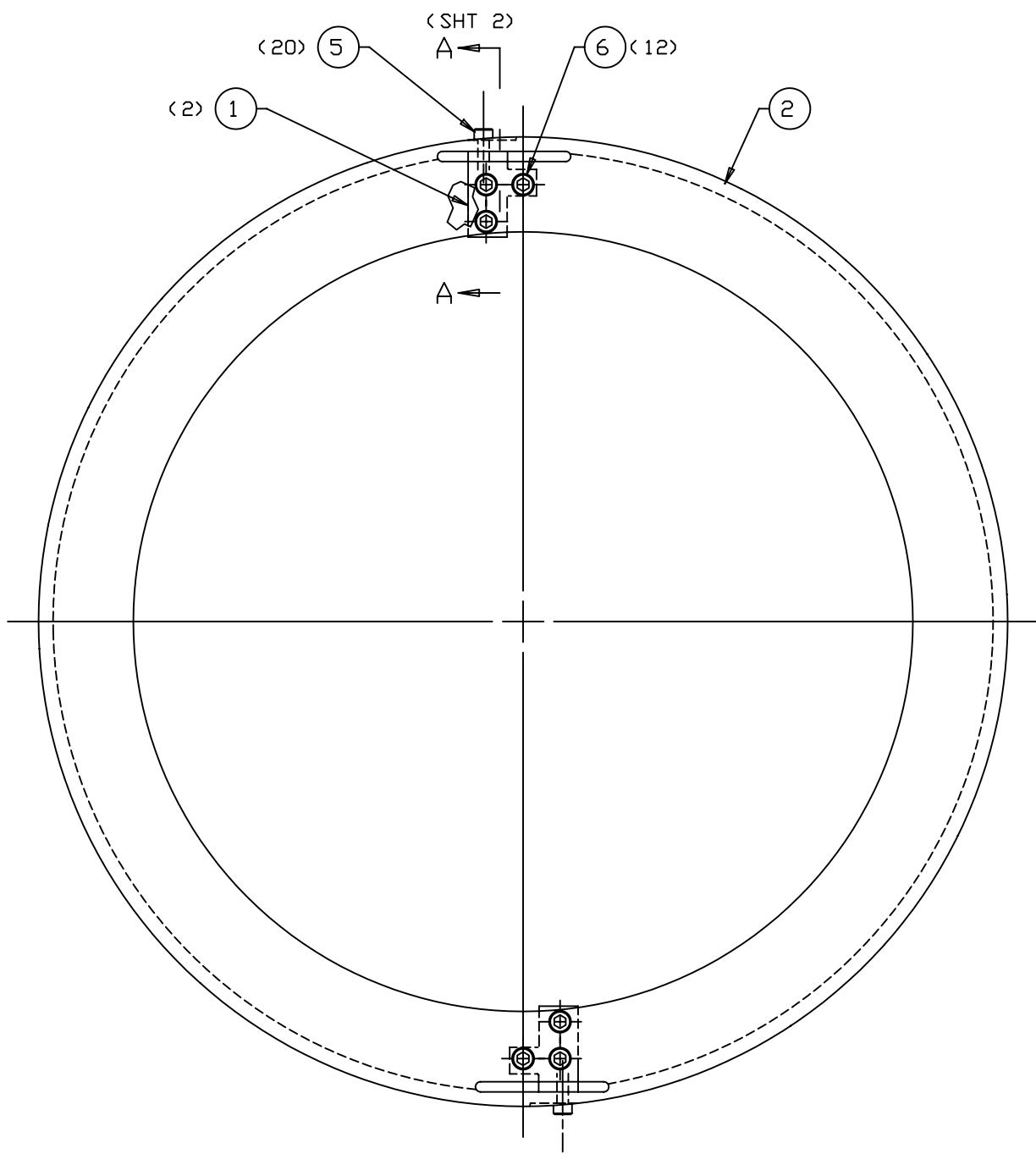
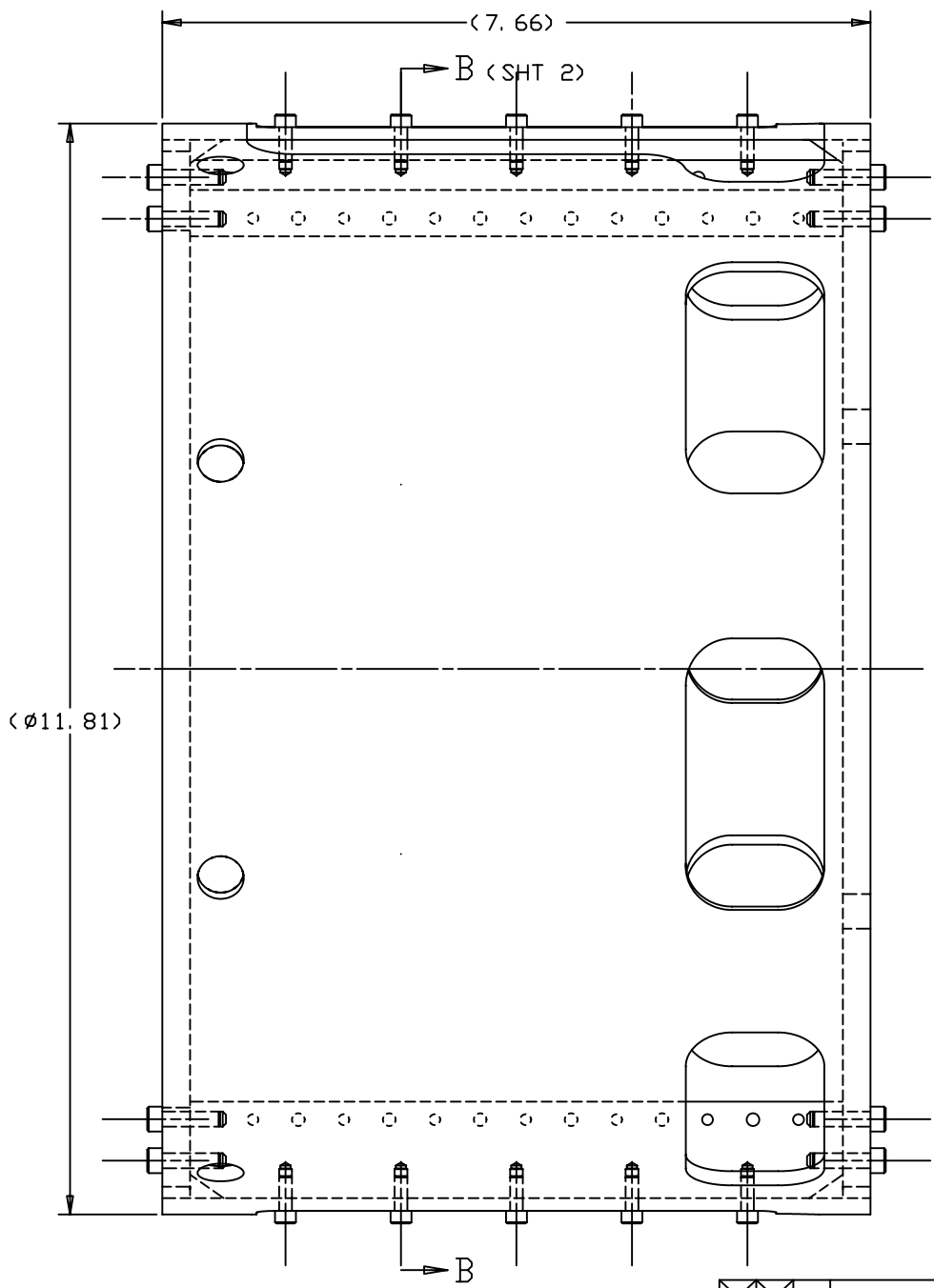


REVISIONS				
LTR	DESCRIPTION	DATE	REVISED BY	APPROVED
A	INITIAL RELEASE	9/21/04	R. NAGY	G. LANDIS



SCALE 1:1



QTY PER ASSY	PART NUMBER	PART DESCRIPTION	MANUFACTURER or MAT'L SPEC	ITEM NO.
12	91251A196	SHCS, .164-32 UNC-2A x .625 LG, ALLOY STL, BLACK OXIDE	McMASTER-CARR	6
20	91251A146	SHCS, .138-32 UNC-2A x .375 LG, ALLOY STL, BLACK OXIDE	McMASTER-CARR	5
				4
				3
1	13592	SHELL		2
2	13206	CROSS ROLLER GUIDE STRINGER		1

LIST OF MATERIALS

DO NOT SCALE DRAWING INTERPRET DIMENSIONS AND TOLERANCES IN ACCORDANCE WITH ASME Y14.5M-94		THIS DRAWING CREATED IN: ACAD <input type="checkbox"/> MECH <input type="checkbox"/> IDEAS <input checked="" type="checkbox"/>		Steward Observatory, University of Arizona 933 N. Cherry Avenue, Tucson, AZ 85721 (520)621-7659	
TOLERANCES UNLESS OTHERWISE SPECIFIED LINEAR: .X = ±.03, .XX = ±.02, .XXX = NA ANGULAR: NA DIAMETRICAL: SEE SPEC S-002		DESIGNED BY: D. DEAN	DATE: 1/27/04	CATEGORY: MMT	
MATERIAL: -		DRAWN BY: R. NAGY	1/28/04	PROJECT: MAESTRO	
FINISH: -		CHECKED BY: G. LANDIS	9/21/04	TITLE: LENS CAN-LENS 1 STAGE SHELL ASSEMBLY	
ASSEMBLY APPLICATION		APPROVED: S. MATHEWS	9/21/04		
		APPROVED: M. REED	9/21/04		
		APPROVED: J. BECHTOLD	9/21/04	PLOT SIZE: D	SCALE: -
		CURRENT TIME/DATE/FILE LOCATION		DRAWING NUMBER: 13558	REVISION: A
		DRAWING ARCHIVE LOCATION: http://dovinci1.as.arizona.edu/acsd/default.html		SHEET 1 OF 2	

- NOTES:
- REQUIRED DOCUMENTS:
 - SP13879 INSTALLATION & ALIGNMENT OF CROSSED ROLLER SLIDE RAILS INTO L1 CELL