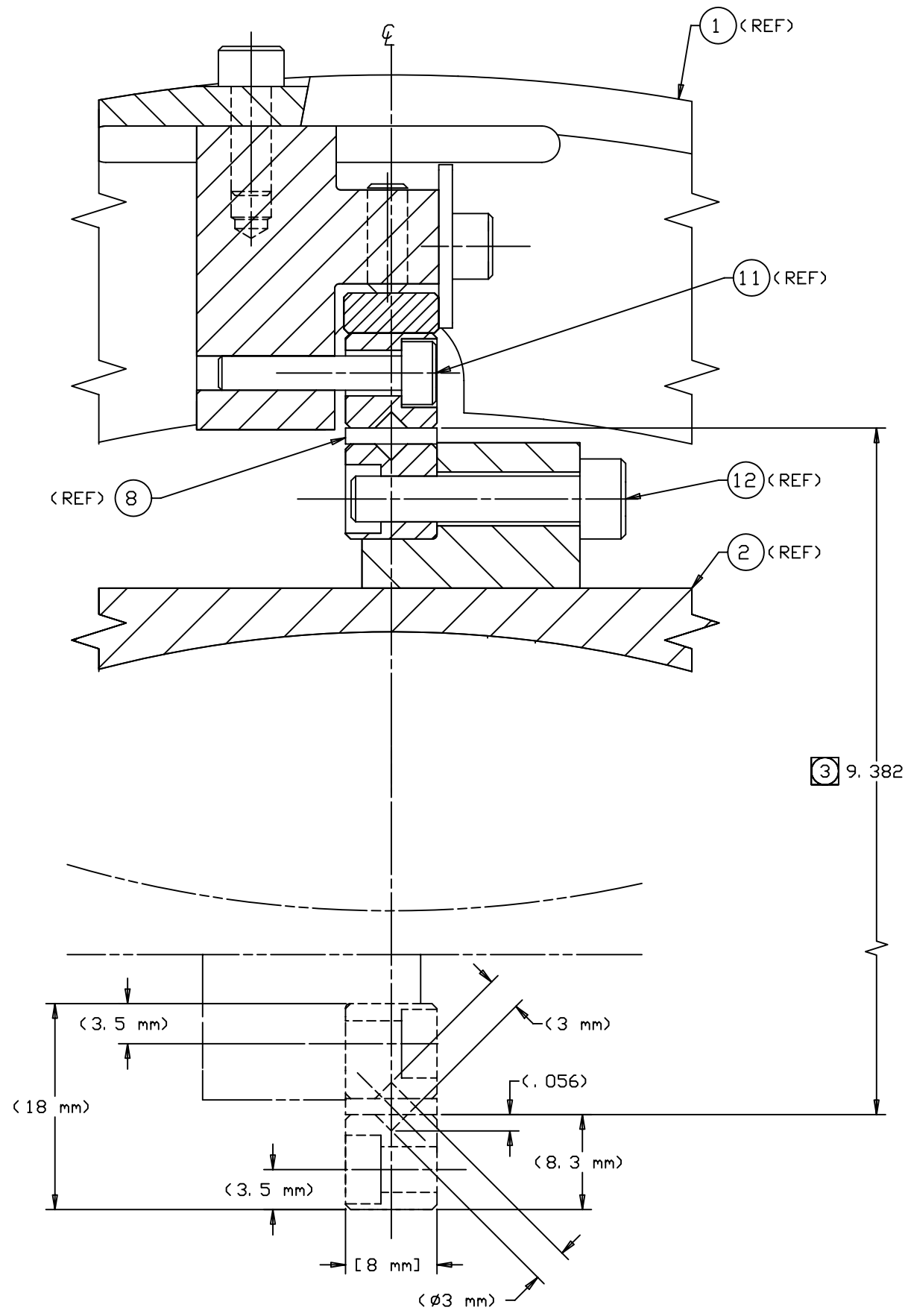
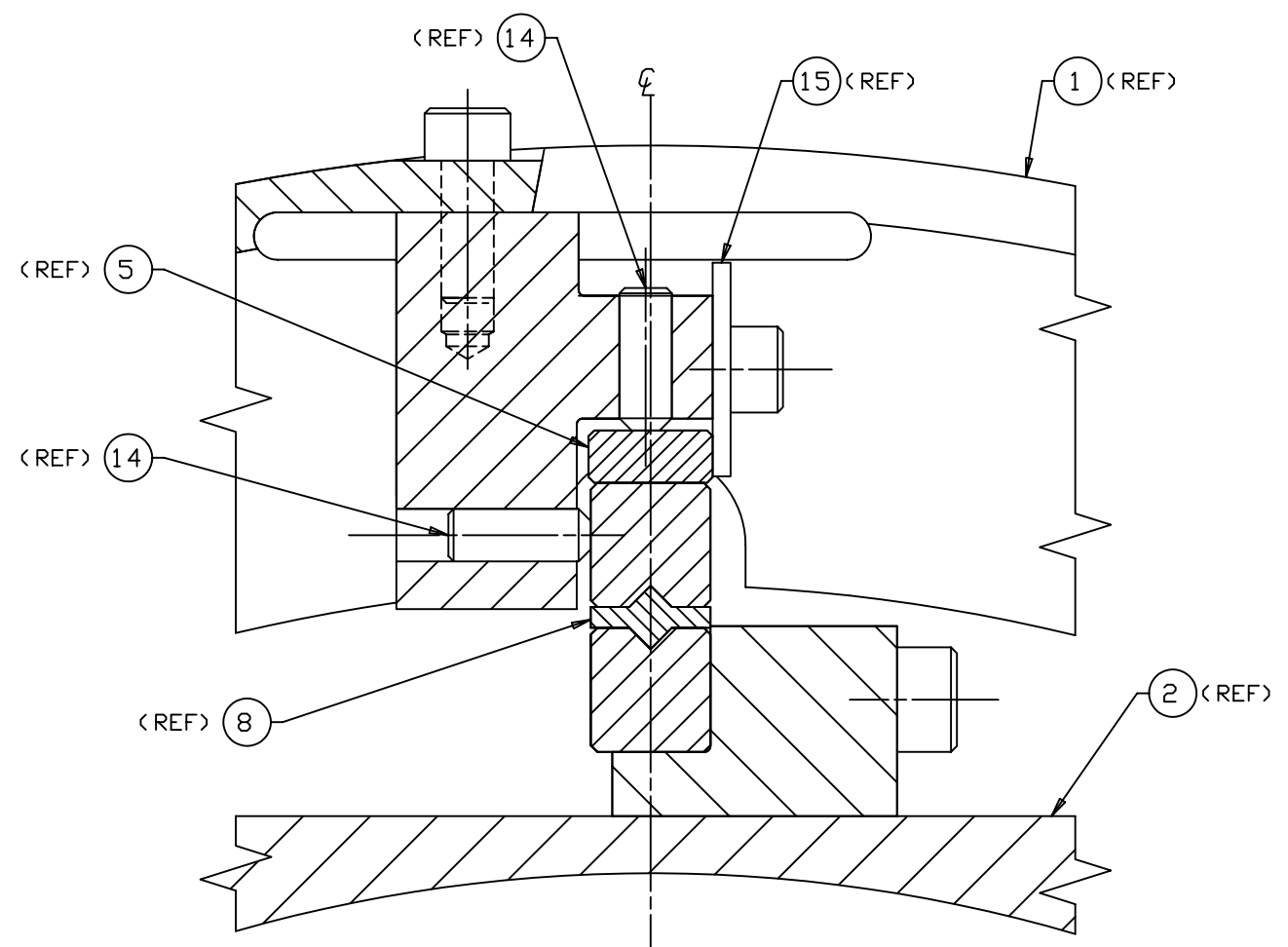


REVISIONS				
LTR	DESCRIPTION	DATE	REVISED BY	APPROVED
A	INITIAL RELEASE	9/22/04	R. NAGY	G. LANDIS



DETAIL C
(SHT 2)
SCALE 4: 1



SECTION B-B
(SHT 2)
SCALE 4: 1
ITEM 8 PRELOAD ADJUSTMENT

DD NOT SCALE DRAWING INTERPRET DIMENSIONS AND TOLERANCES IN ACCORDANCE WITH ASME Y14.5M-94		THIS DRAWING CREATED IN: ACAD <input type="checkbox"/> MECH <input type="checkbox"/> IDEAS <input checked="" type="checkbox"/>		Steward Observatory, University of Arizona 933 N. Cherry Avenue, Tucson, AZ 85721 (520)621-7659		
TOLERANCES UNLESS OTHERWISE SPECIFIED LINEAR .X = NA .XX = NA .XXX = NA ANGULAR NA DIAMETRICAL SEE SPEC S-002		DESIGNED BY: D. DEAN	DATE: 1/23/04	CATEGORY: MMT		
MATERIAL -		DRAWN BY: R. NAGY	2/2/04	PROJECT: MAESTRO		
FINISH -		CHECKED BY: G. LANDIS	9/22/04	TITLE: LENS CAN LENS 1 STAGE ASSEMBLY		
ASSEMBLY APPLICATION		APPROVED: S. MATHEWS	9/22/04	PLOT SIZE: SCALE: DRAWING NUMBER: REVISION:		
CURRENT TIME/DATE/FILE LOCATION: DRAWING ARCHIVE LOCATION: http://dev1nc1.as.arizona.edu/acad/default.html		APPROVED: M. REED	9/22/04	D - 13557 A		
		APPROVED: J. BECHTOLD	9/22/04	SHEET 4 OF 4		