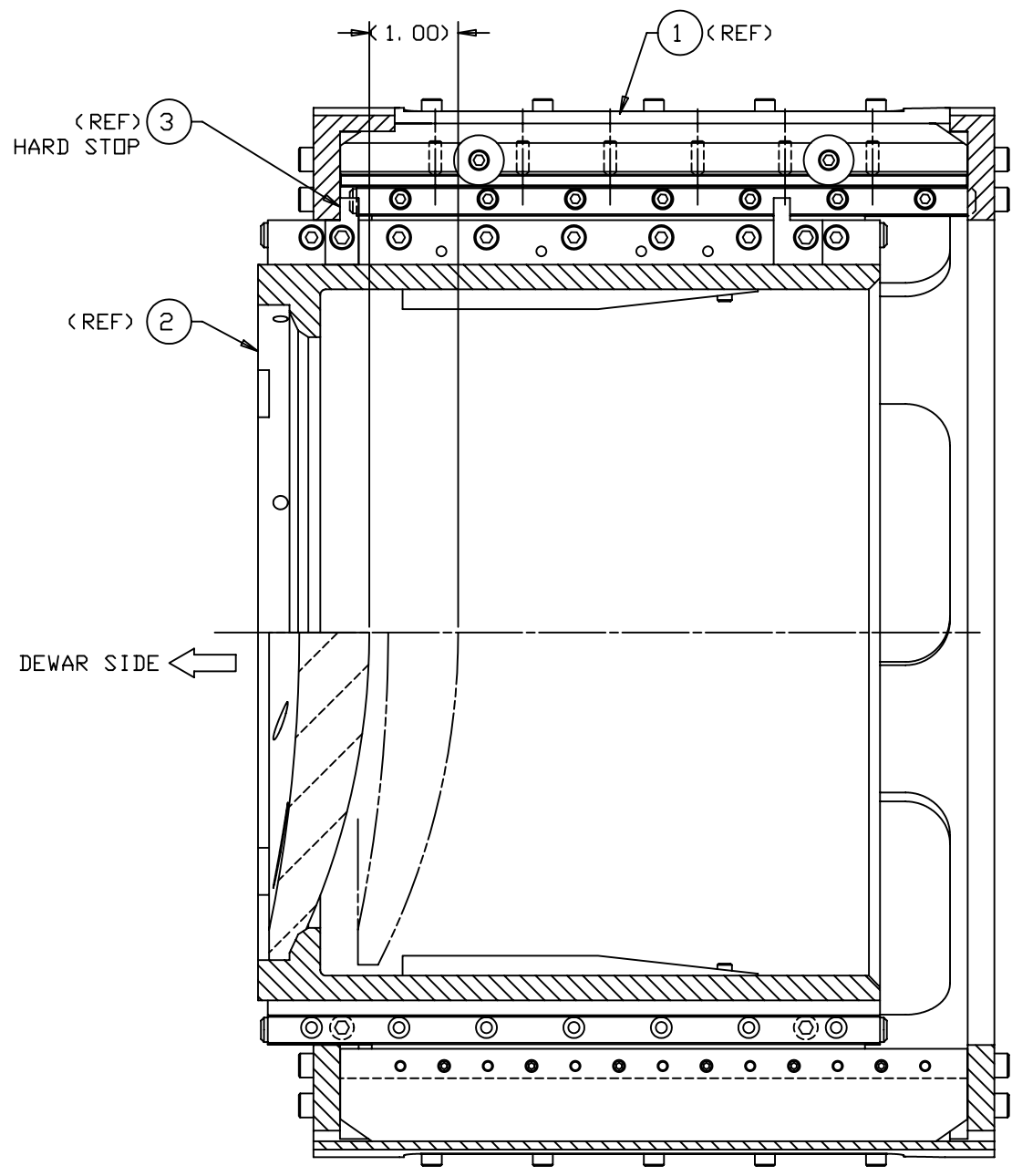
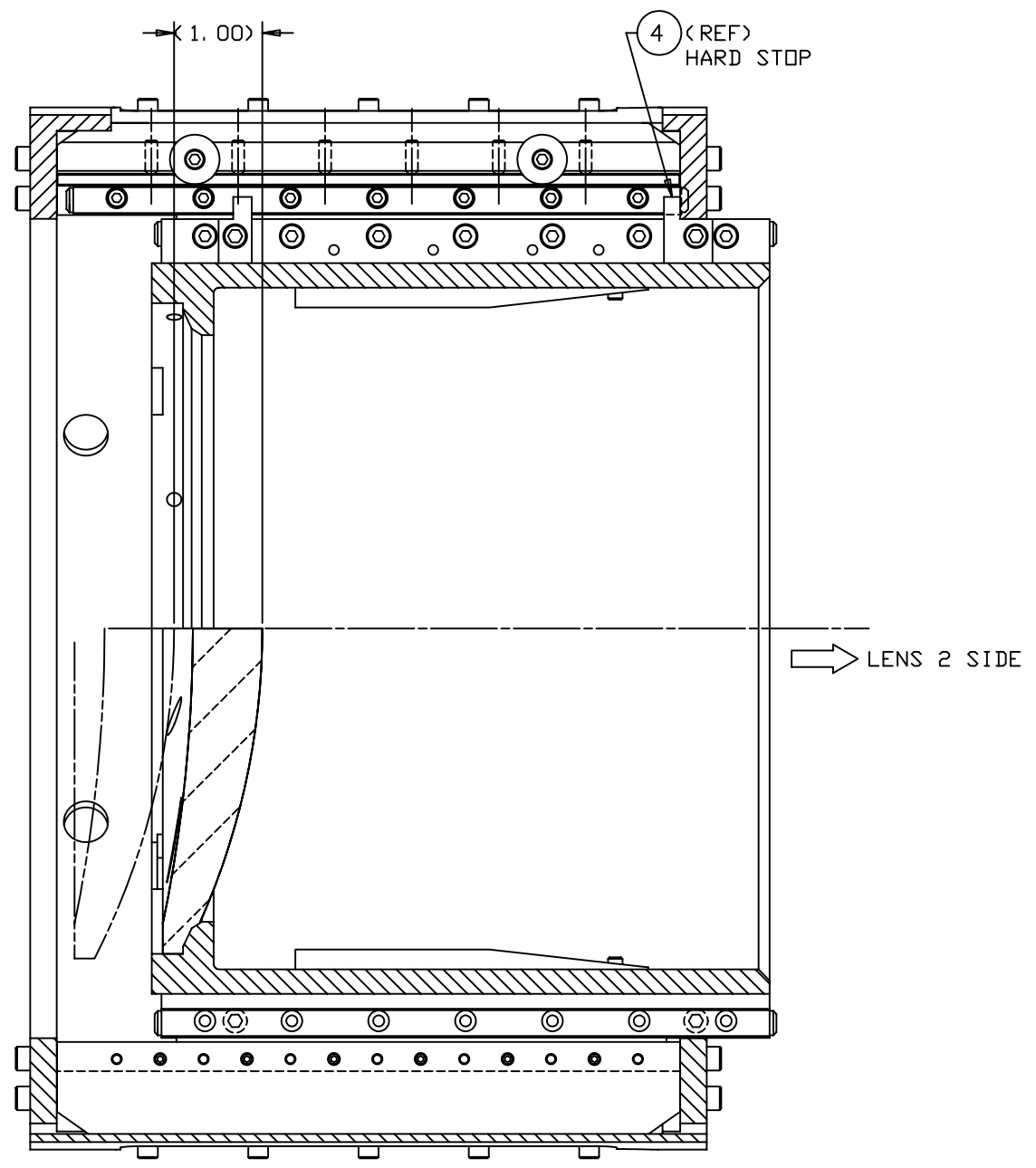


REVISIONS				
LTR	DESCRIPTION	DATE	REVISED BY	APPROVED
A	INITIAL RELEASE	9/22/04	R. NAGY	G. LANDIS



OUTWARD TRAVEL



INWARD TRAVEL

SECTION A-A

(SHT 2)  
SCALE 1:1  
ITEM 2 LENS 1 CELL TRAVEL HARD STOPS

DO NOT SCALE DRAWING INTERPRET DIMENSIONS AND TOLERANCES IN ACCORDANCE WITH ASME Y14.5M-94		THIS DRAWING CREATED IN: ACAD <input type="checkbox"/> MECH <input type="checkbox"/> IDEAS <input checked="" type="checkbox"/>		Steward Observatory, University of Arizona 933 N. Cherry Avenue, Tucson, AZ 85721 (520)621-7659			
TOLERANCES UNLESS OTHERWISE SPECIFIED LINEAR .X = NA .XX = NA .XXX = NA ANGULAR NA DIAMETRICAL SEE SPEC S-002		DESIGNED BY: D. DEAN DATE: 1/23/04		CATEGORY: MMT		PROJECT: MAESTRO	
DIMENSIONS ARE IN INCHES / DIMENSIONS IN [ ] ARE METRIC		DRAWN BY: R. NAGY DATE: 2/2/04		CHECKED BY: G. LANDIS DATE: 9/22/04		TITLE: LENS CAN LENS 1 STAGE ASSEMBLY	
MATERIAL: -		APPROVED: S. MATHEWS DATE: 9/22/04		APPROVED: M. REED DATE: 9/22/04		APPROVED: J. BECHTOLD DATE: 9/22/04	
FINISH: -		13472 MMT NEXT ASSY USED ON		CURRENT TIME/DATE/FILE LOCATION: DRAWING ARCHIVE LOCATION: <a href="http://dsvinci.as.arizona.edu/acad/default.html">http://dsvinci.as.arizona.edu/acad/default.html</a>		PLOT SIZE: D SCALE: - DRAWING NUMBER: 13557 REVISION: A	
ASSEMBLY APPLICATION				SHEET 3 OF 4			