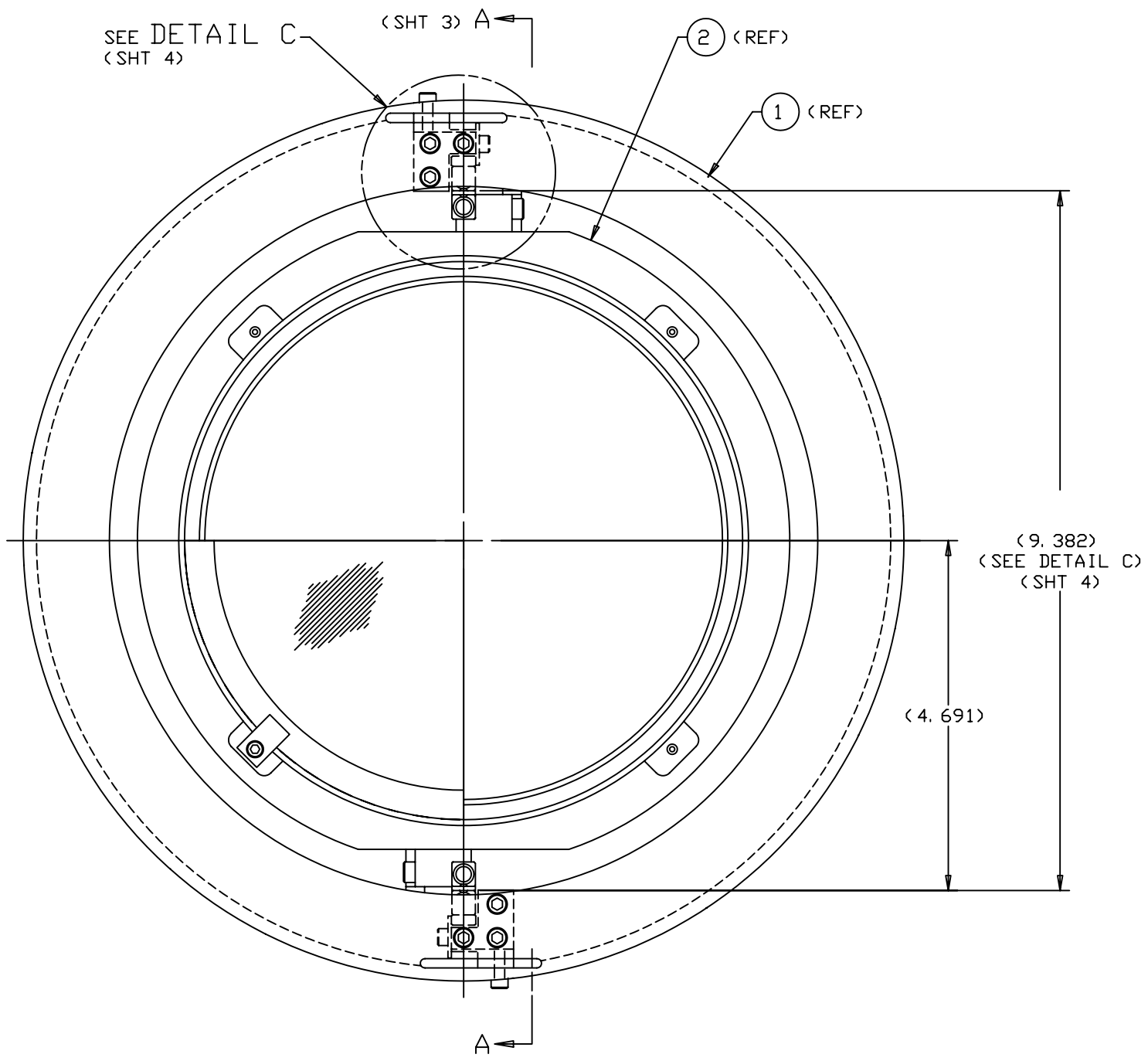
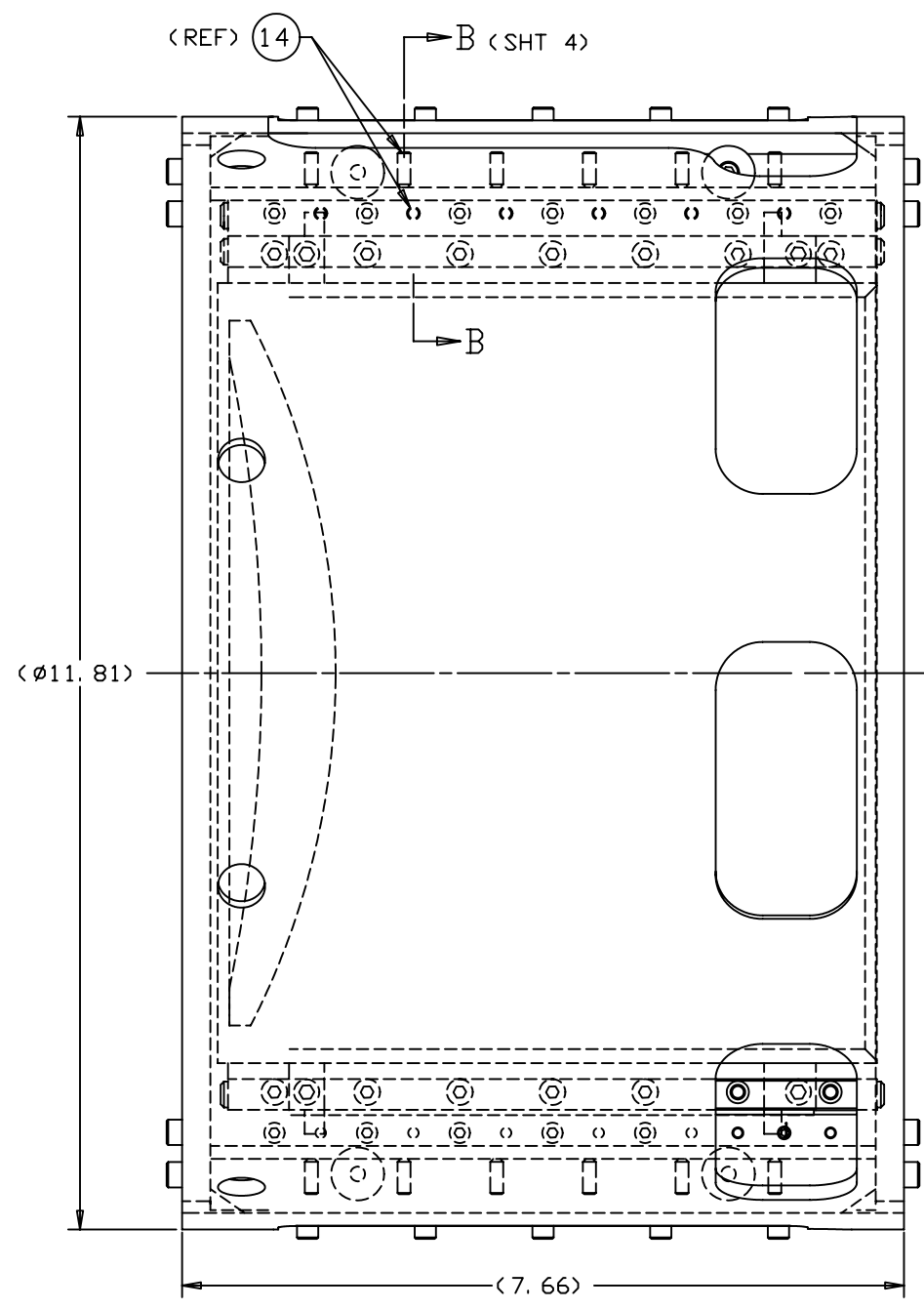


REVISIONS			
LTR	DESCRIPTION	DATE	REVISOR
A	INITIAL RELEASE	9/22/04	R. NAGY
			G. LANDIS



SCALE 1:1



DO NOT SCALE DRAWING INTERPRET DIMENSIONS AND TOLERANCES IN ACCORDANCE WITH ASME Y14.5M-94		THIS DRAWING CREATED IN: ACAD <input type="checkbox"/> MECH <input type="checkbox"/> IDEAS <input checked="" type="checkbox"/>		Steward Observatory, University of Arizona 933 N. Cherry Avenue, Tucson, AZ 85721 (520)621-7659			
TOLERANCES UNLESS OTHERWISE SPECIFIED LINEAR .X = NA .XX = NA .XXX = NA ANGULAR .X = NA .XX = NA .XXX = NA DIAMETRICAL SEE SPEC S-002		DESIGNED BY: D. DEAN DRAWN BY: R. NAGY CHECKED BY: G. LANDIS APPROVED: S. MATHEWS APPROVED: M. REED		DATE: 1/23/04 2/2/04 9/22/04 9/22/04 9/22/04		CATEGORY: MMT PROJECT: MAESTRO TITLE: LENS CAN LENS 1 STAGE ASSEMBLY	
MATERIAL: -		13472 MMT NEXT ASSY USED ON		APPROVED: J. BECHTOLD APPROVED:		PLOT SIZE: D SCALE: - DRAWING NUMBER: 13557 REVISION: A	
FINISH: -		ASSEMBLY APPLICATION		CURRENT TIME/DATE/FILE LOCATION: DRAWING ARCHIVE LOCATION: http://dsvinc1.es.arizona.edu/acad/default.html			