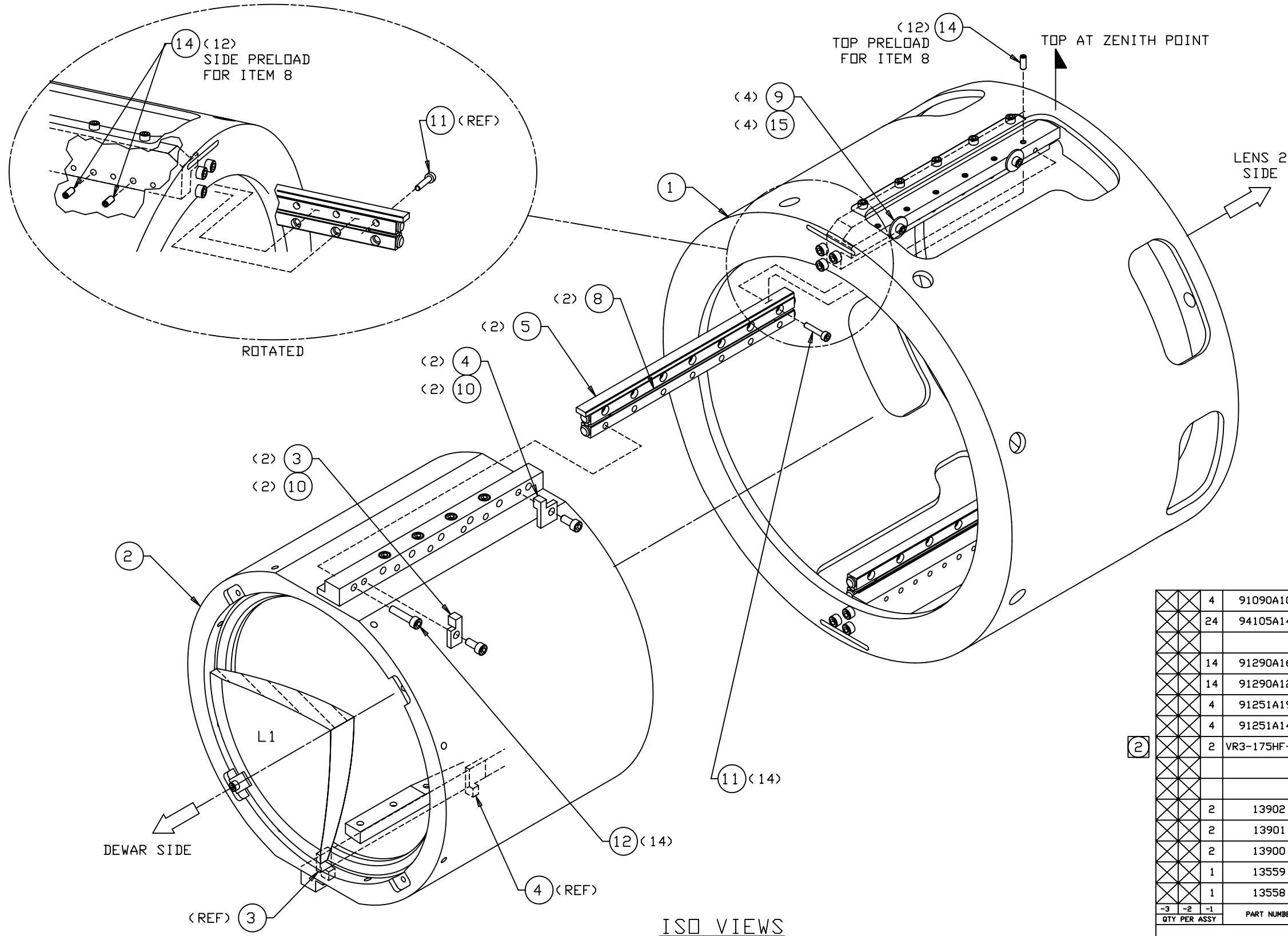


REVISIONS				
LTR	DESCRIPTION	DATE	REVISED BY	APPROVED
A	INITIAL RELEASE	9/22/04	R. NAGY	G. LANDIS



QTY PER ASSY	PART NUMBER	PART DESCRIPTION	MANUFACTURER or MAT'L SPEC	ITEM NO.
4	91090A102	WASHER, FENDER, #6 x .562 DD x .047 THK, STL, Zn PLT	McMASTER-CARR	15
24	94105A146	SETScrew, FLAT PT, HEX SKT, .138-32 UNC-2A x .375 LG, ALLOY STL, BLK OXIDE	McMASTER-CARR	14
				13
14	91290A168	SHCS, M4x0.7x20 mm LG, ALLOY STL, BLK OXIDE	McMASTER-CARR	12
14	91290A120	SHCS, M3x0.5x16 mm LG, ALLOY STL, BLK OXIDE	McMASTER-CARR	11
4	91251A192	SHCS, .164-32 UNC-2A x .375 LG, ALLOY STL, BLK OXIDE	McMASTER-CARR	10
4	91251A144	SHCS, .138-32 UNC-2A x .25 LG, ALLOY STL, BLK OXIDE	McMASTER-CARR	9
2	VR3-175HF-28Z	CROSS ROLLER GUIDE	THK BEARING	8
				7
				6
2	13902	CROSS ROLLER GUIDE PRELOAD PLATE		5
2	13901	REAR LIMIT BLOCK		4
2	13900	FRONT LIMIT BLOCK		3
1	13559	LENS 1 CELL ASSEMBLY		2
1	13558	SHELL ASSEMBLY		1

- NOTES:
- REQUIRED DOCUMENTS:
    - 12880 OPTICAL SYSTEM DRAWING
    - SP13549 LENS CAN ALIGNMENT PROCEDURE
    - SP13879 INSTALLATION & ALIGNMENT OF CROSSED ROLLER SLIDE RAILS ONTO L1 CELL
  - ITEM 8: THIS DESIGN REQUIRES A "-28Z" AS ORDERED & NOT THE STANDARD CATALOG ITEM OF "-24Z."
  - CROSS ROLLER GUIDE, ITEM 8, SPACING AS DIMENSIONED IN DETAIL C (SHT 4), TO BE CONTROLLED BY USING 13593 SHELL RAIL ALIGNMENT TOOL IN ACCORDANCE WITH SP13879 PROCEDURE.

DO NOT SCALE DRAWING	THIS DRAWING CREATED IN:	Steward Observatory, University of Arizona 933 N. Cherry Avenue, Tucson, AZ 85721 (520)621-7659			
INTERPRET DIMENSIONS AND TOLERANCES IN ACCORDANCE WITH ASME Y14.5M-94	ACAD <input type="checkbox"/> MECH <input type="checkbox"/> IDEAS <input checked="" type="checkbox"/>	DESIGNED BY: D. DEAN	DATE: 1/23/04	CATEGORY: MMT	
TOLERANCES UNLESS OTHERWISE SPECIFIED LINEAR: .X = NA, .XX = NA, .XXX = NA ANGULAR: NA DIAMETRICAL: SEE SPEC S-002		DRAWN BY: R. NAGY	DATE: 2/2/04	PROJECT: MAESTRO	
DIMENSIONS ARE IN INCHES / DIMENSIONS IN [ ] ARE METRIC		CHECKED BY: G. LANDIS	DATE: 9/22/04	TITLE: LENS CAN LENS 1 STAGE ASSEMBLY	
MATERIAL	13472 MMT	APPROVED: S. MATHEWS	DATE: 9/22/04		
FINISH	NEXT ASSY USED ON	APPROVED: M. REED	DATE: 9/22/04		
	ASSEMBLY APPLICATION	APPROVED: J. BECHTOLD	DATE: 9/22/04	PLOT SIZE: D	SCALE: -
		CURRENT TIME/DATE/FILE LOCATION:		DRAWING NUMBER: 13557	REVISION: A
		DRAWING ARCHIVE LOCATION: http://dev1nc1.as.arizona.edu/scad/default.html			SHEET 1 OF 4