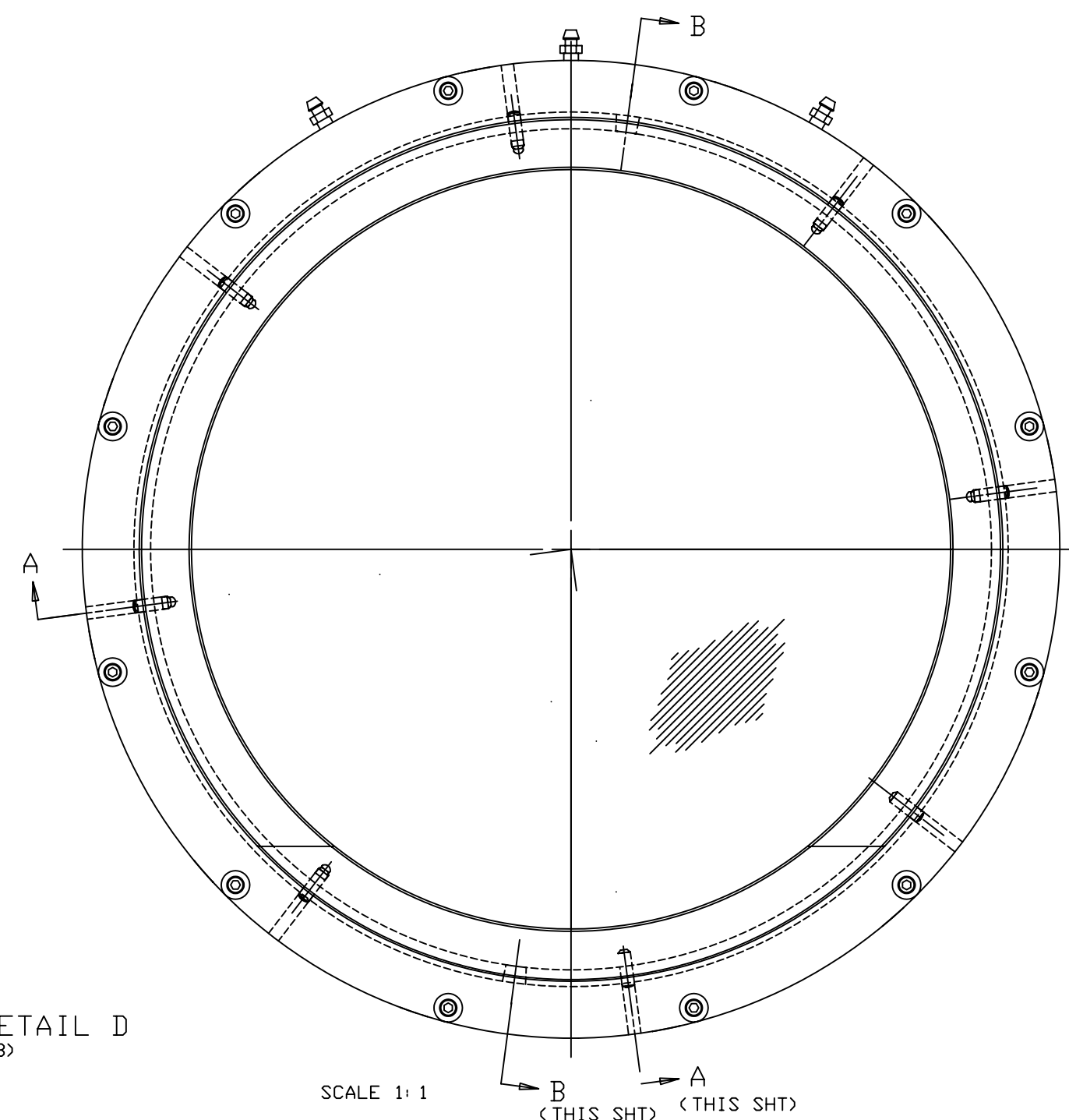
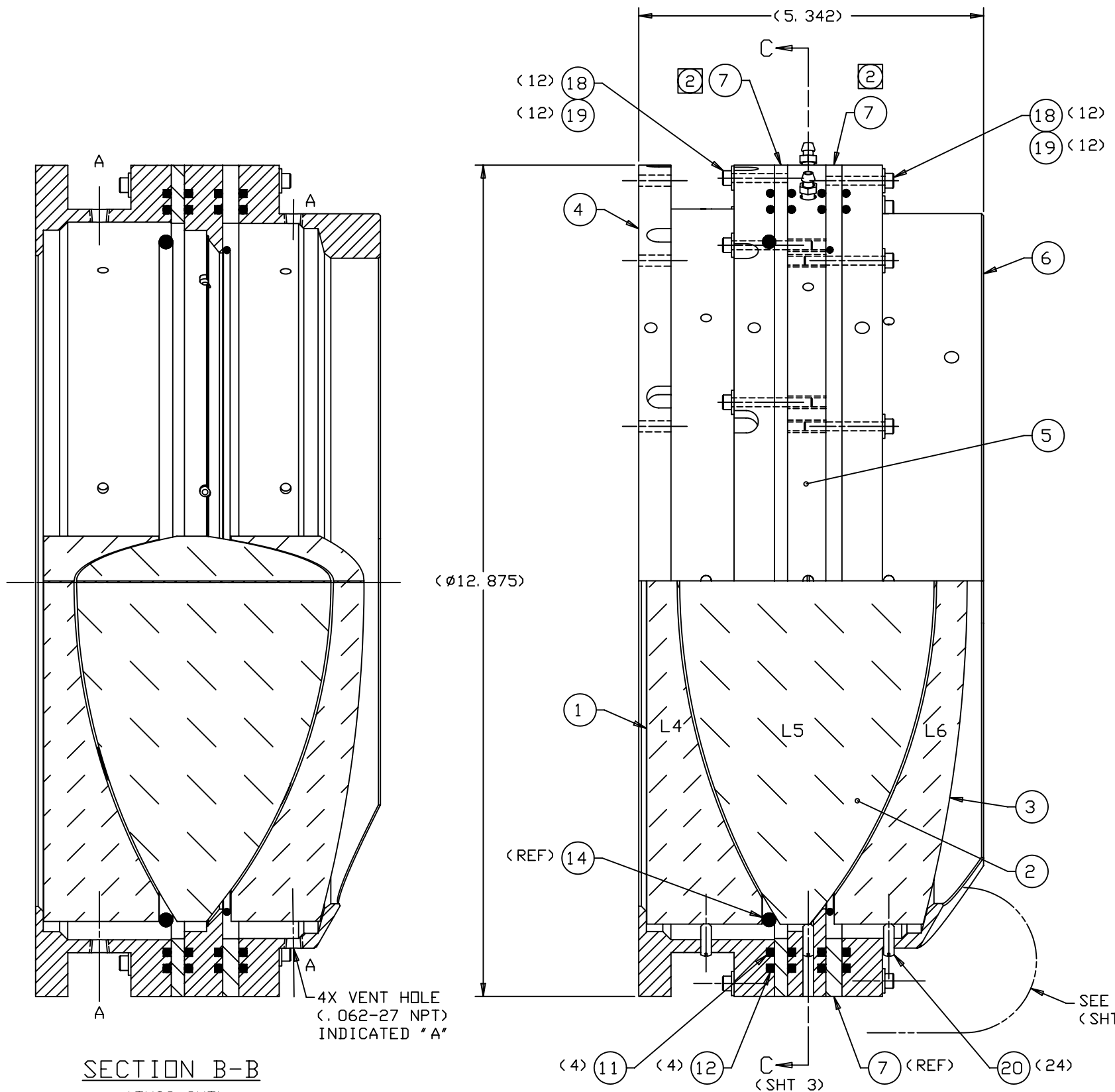


| REVISIONS | | | | |
|-----------|--|---------|------------|-----------|
| LTR | DESCRIPTION | DATE | REVISED BY | APPROVED |
| A | INITIAL RELEASE | 4/27/04 | R. NAGY | G. LANDIS |
| B | UPDATED TO REDESIGNED BEVELED LENS CELLS 4 & 6; REVISED NOTE 3 | 6/29/04 | R. NAGY | M. REED |



| | | | | | | | |
|---|---|--------------------------|--------------------------|---|--------------------------|------------------|----------------------|
| DO NOT SCALE DRAWING | | THIS DRAWING CREATED IN: | | Steward Observatory, University of Arizona 933 N. Cherry Avenue, Tucson, AZ 85721 (520)621-7659 | | | |
| INTERPRET DIMENSIONS AND TOLERANCES IN ACCORDANCE WITH ASME Y14.5M-94 | | ACAD | MECH | IDEAS | DESIGNED BY: D. DEAN | DATE: 12/2/03 | CATEGORY: MMT |
| TOLERANCES UNLESS OTHERWISE SPECIFIED | | <input type="checkbox"/> | <input type="checkbox"/> | <input checked="" type="checkbox"/> | DRAWN BY: R. NAGY | DATE: 12/5/03 | PROJECT: MAESTRO |
| LINEAR | | | | | CHECKED BY: G. LANDIS | DATE: 4/14/04 | TITLE: LENS CAN |
| ANGULAR | | | | | APPROVED: S. MATHEWS | DATE: 4/27/04 | LENS 4 TO 6 ASSEMBLY |
| .X = NA | | | | | APPROVED: M. REED | DATE: 4/27/04 | |
| .XX = NA | | | | | APPROVED: J. BECHTOLD | DATE: 4/27/04 | |
| .XXX = NA | | | | | APPROVED: | | |
| DIAMETRICAL SEE SPEC S-002 | | | | | | | |
| DIMENSIONS ARE IN INCHES / DIMENSIONS IN [] ARE METRIC | | 13473 | MMT | | | | |
| MATERIAL | - | NEXT ASSY | USED ON | | | PLOT SIZE SCALE: | D - |
| FINISH | - | ASSEMBLY APPLICATION | | | | DRAWING NUMBER: | 13550 |
| | | | | CURRENT TIME/DATE/FILE LOCATION: | | REVISION: | |
| | | | | DRAWING ARCHIVE LOCATION: http://dsv1nc1.as.arizona.edu/acad/default.html | | B | |
| | | | | | | | SHEET 2 OF 3 |