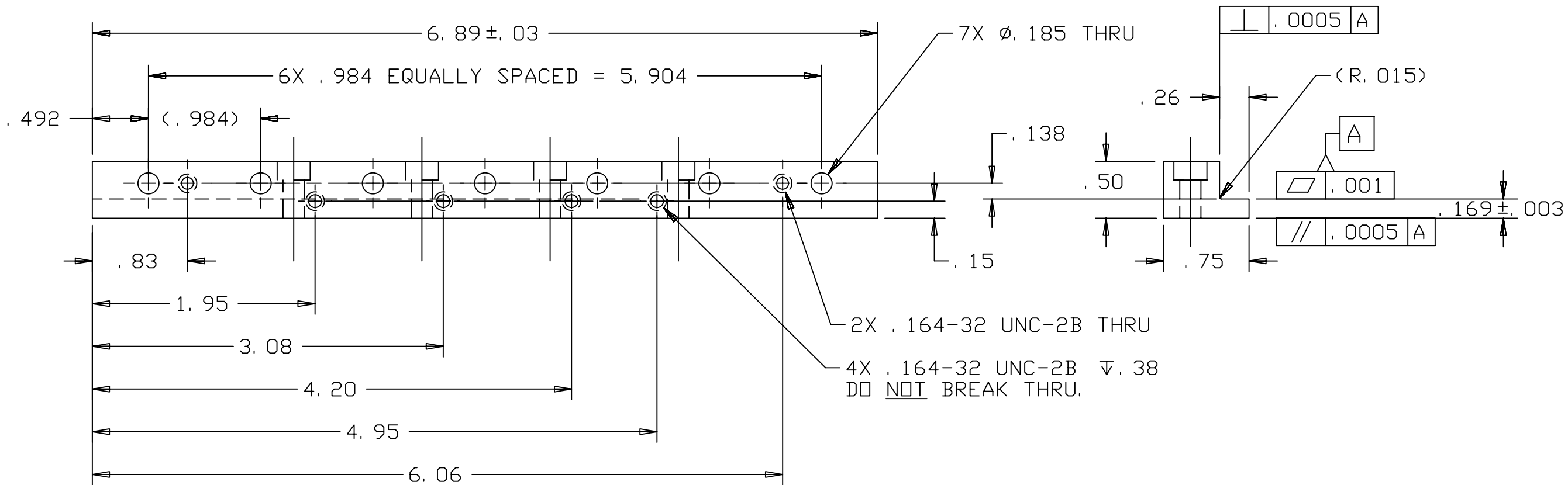
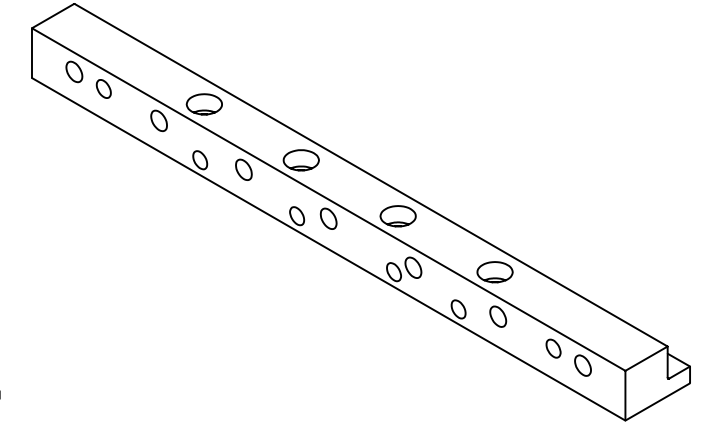
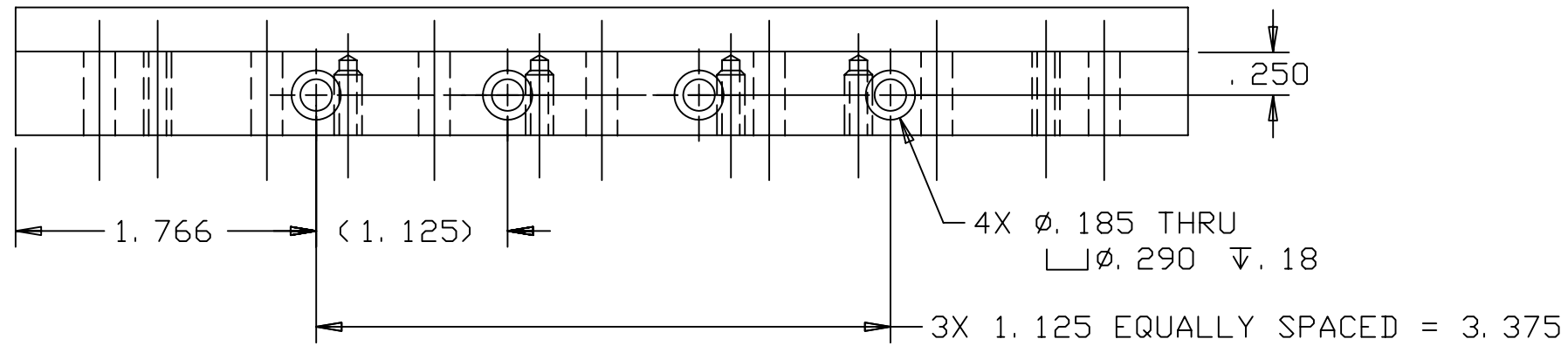


REVISIONS				
LTR	DESCRIPTION	DATE	REVISED BY	APPROVED
A	INITIAL RELEASE	8/17/04	R. NAGY	G. LANDIS
B	.169±.003 WAS .175±.003 (DWG CORRECTION; NOT A DESIGN CHANGE)	9/27/04	R. NAGY	M. REED



SCALE 1:1

NOTES:

- BREAK SHARP EDGES & DEBURR.
- MACHINED SURFACE FINISH TO BE 125 RMS OR BETTER.
- MACHINED FILLETS TO BE R.015 MAX.

DO NOT SCALE DRAWING		THIS DRAWING CREATED IN:		Steward Observatory, University of Arizona 933 N. Cherry Avenue, Tucson, AZ 85721 (520)621-7659			
INTERPRET DIMENSIONS AND TOLERANCES IN ACCORDANCE WITH ASME Y14.5M-94		ACAD <input type="checkbox"/>	MECH <input type="checkbox"/>	IDEAS <input checked="" type="checkbox"/>	DESIGNED BY: D. DEAN	DATE: 11/13/03	CATEGORY: MMT
TOLERANCES UNLESS OTHERWISE SPECIFIED LINEAR ANGULAR .X = NA ± 1° .XX = ± .02 .XXX = ± .005					DRAWN BY: R. NAGY	DATE: 11/26/03	PROJECT: MAESTRO
DIAMETRICAL SEE SPEC S-002					CHECKED BY: G. LANDIS	DATE: 8/17/04	TITLE: LENS CAN-LENS 1 STAGE CROSS ROLLER GUIDE INDEX BAR
DIMENSIONS ARE IN INCHES / DIMENSIONS IN () ARE METRIC					APPROVED: S. MATHEWS	DATE: 8/17/04	
MATERIAL 300 SERIES CRES		13559	MMT		APPROVED: M. REED	DATE: 8/17/04	
FINISH NONE		NEXT ASSY	USED ON		APPROVED: J. BECHTOLD	DATE: 8/17/04	PLOT SIZE SCALE: B -
ASSEMBLY APPLICATION		CURRENT TIME/DATE/FILE LOCATION:			DRAWING NUMBER: 13476		REVISION: B
		DRAWING ARCHIVE LOCATION: http://davinci.as.arizona.edu/acad/default.html					SHEET 1 OF 1