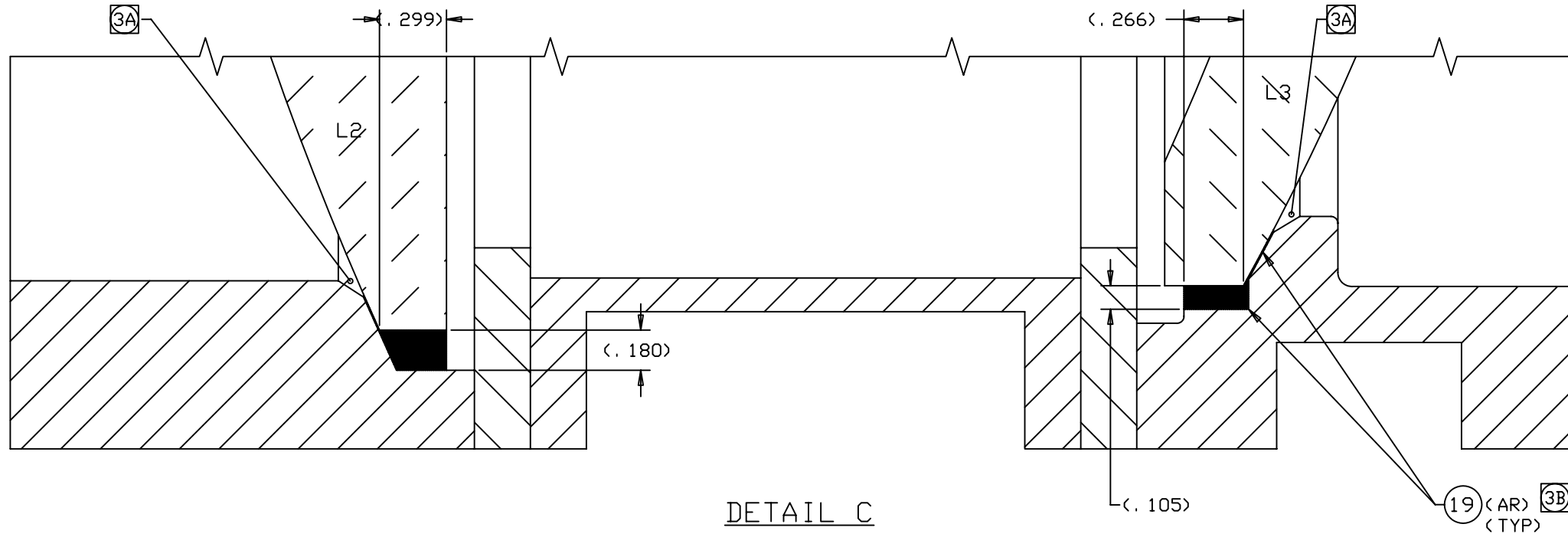
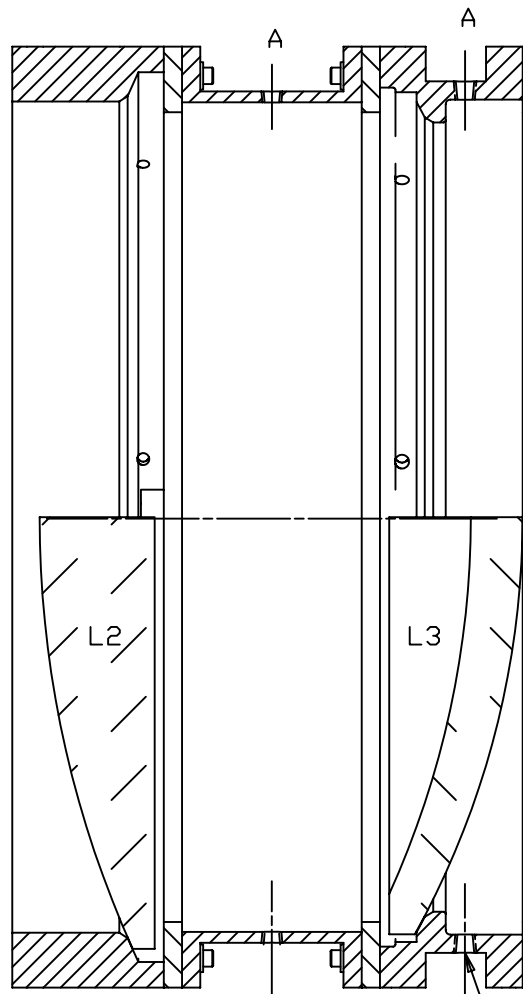


REVISIONS				
LTR	DESCRIPTION	DATE	REVISED BY	APPROVED
A	INITIAL RELEASE	4/27/04	R. NAGY	G. LANDIS
B	UPDATED TO REDESIGNED BEVELED LENS CELLS 2 & 3; REVISED NOTE 3	6/29/04	R. NAGY	M. REED



DETAIL C

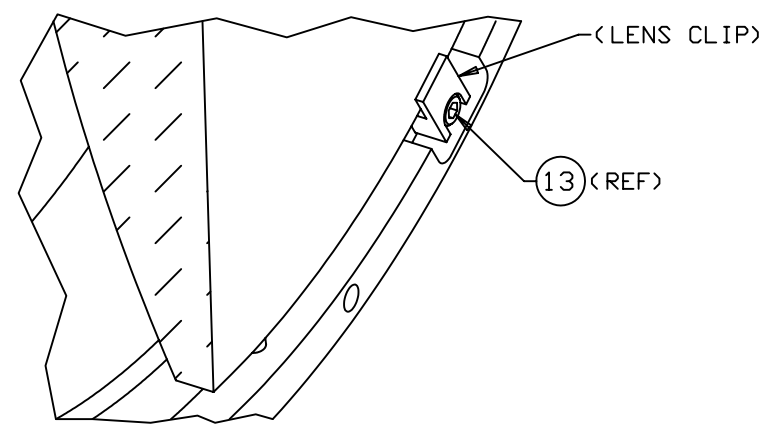
(SHT 2)
SCALE 3: 1
LENS ENCAPSULATING AREAS; ITEM 9 NOT SHOWN



SECTION B-B

(SHT 2)
SCALE 3: 4
VENT HOLES; ITEM 9 NOT SHOWN

4X VENT HOLE
(.062-27 NPT)
INDICATED "A"



DETAIL D

(SHT 2)
SCALE NTS
TYP LENS CLIP ATTACHMENT

DO NOT SCALE DRAWING		THIS DRAWING CREATED IN:		Steward Observatory, University of Arizona 933 N. Cherry Avenue, Tucson, AZ 85721 (520)621-7659			
INTERPRET DIMENSIONS AND TOLERANCES IN ACCORDANCE WITH ASME Y14.5M-94		ACAD	MECH	IDEAS	DESIGNED BY: D. DEAN	DATE: 12/2/03	CATEGORY: MMT
TOLERANCES UNLESS OTHERWISE SPECIFIED		<input type="checkbox"/>	<input type="checkbox"/>	<input checked="" type="checkbox"/>	DRAWN BY: R. NAGY	12/5/03	PROJECT: MAESTRO
LINEAR					CHECKED BY: G. LANDIS	4/14/04	TITLE: LENS CAN
ANGULAR					APPROVED: S. MATHEWS	4/27/04	LENS 2 TO 6 ASSEMBLY
.X = NA .XX = NA .XXX = NA					APPROVED: M. REED	4/27/04	
DIAMETRICAL SEE SPEC S-002					APPROVED: J. BECHTOLD	4/27/04	
DIMENSIONS ARE IN INCHES / DIMENSIONS IN [] ARE METRIC					APPROVED:		
MATERIAL		13194	MMT				PLOT SIZE SCALE: DRAWING NUMBER: REVISION:
		NEXT ASSY	USED ON				D - 13473 B
FINISH							
		ASSEMBLY APPLICATION					
CURRENT TIME/DATE/FILE LOCATION:							
DRAWING ARCHIVE LOCATION: http://devinci.as.arizona.edu/scad/default.html							
							SHEET 3 OF 3