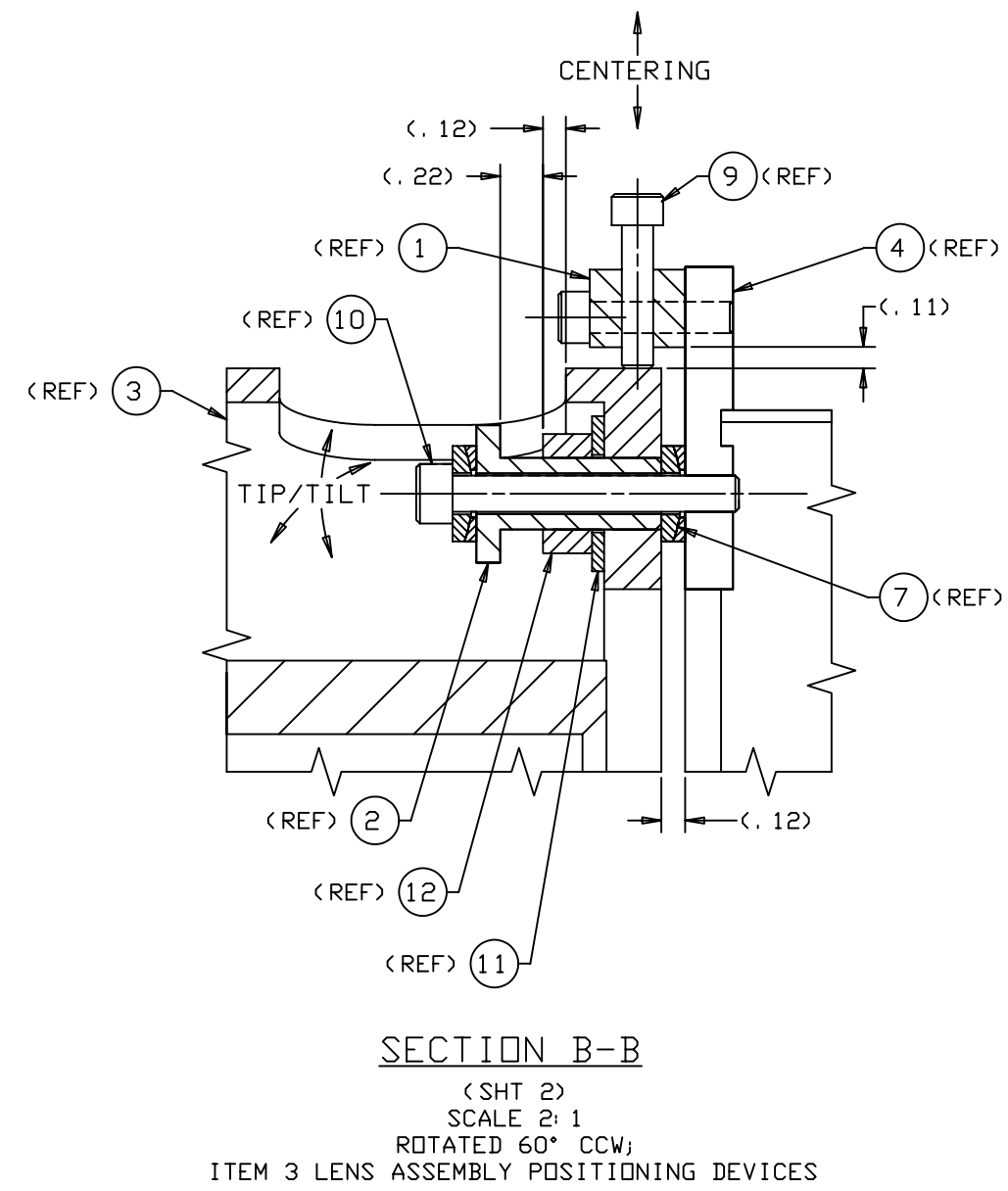
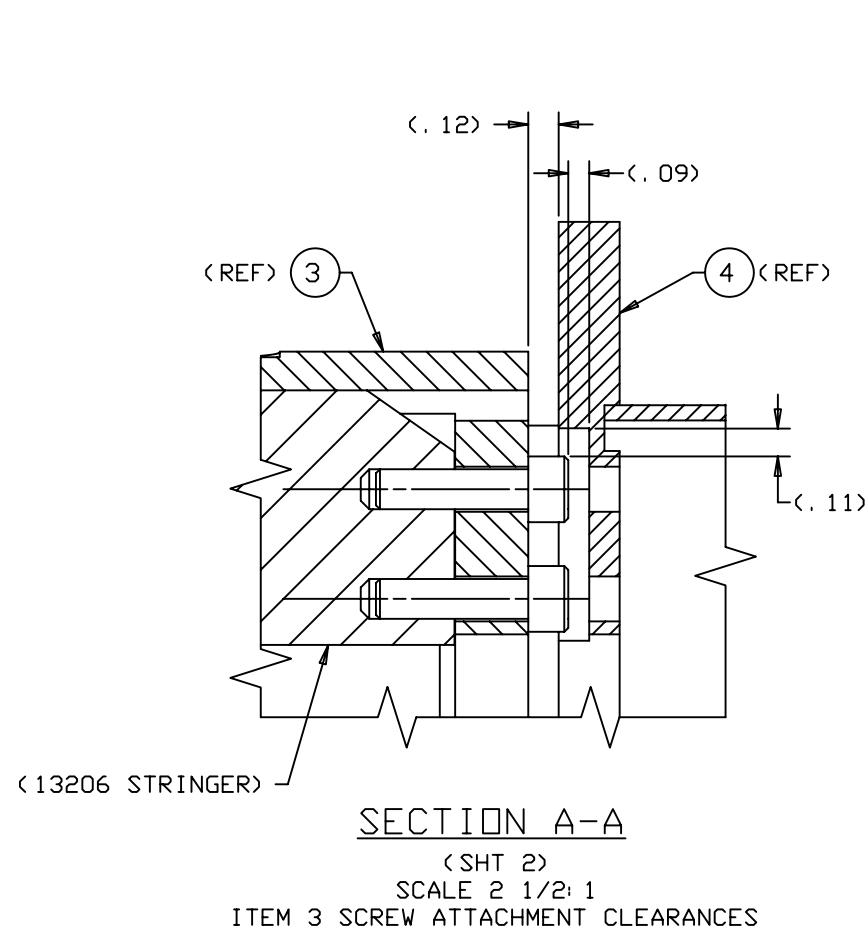


REVISIONS				
LTR	DESCRIPTION	DATE	REVISED BY	APPROVED
A	INITIAL RELEASE	9/22/04	R. NAGY	G. LANDIS



DO NOT SCALE DRAWING		THIS DRAWING CREATED IN:		Steward Observatory, University of Arizona 933 N. Cherry Avenue, Tucson, AZ 85721 (520)621-7659			
INTERPRET DIMENSIONS AND TOLERANCES IN ACCORDANCE WITH ASME Y14.5M-94		ACAD	MECH	IDEAS	DESIGNED BY: D. DEAN	DATE: 1/28/04	CATEGORY: MMT
TOLERANCES UNLESS OTHERWISE SPECIFIED LINEAR .X = NA .XX = NA .XXX = NA ANGULAR NA DIAMETRICAL SEE SPEC S-002		<input type="checkbox"/>	<input type="checkbox"/>	<input checked="" type="checkbox"/>	DRAWN BY: R. NAGY	2/10/04	PROJECT: MAESTRO
DIMENSIONS ARE IN INCHES / DIMENSIONS IN [] ARE METRIC					CHECKED BY: G. LANDIS	9/22/04	TITLE: LENS CAN LENS 1 STAGE AND EXTENSION ASSEMBLY
MATERIAL		13194	MMT		APPROVED: S. MATHEWS	9/22/04	
FINISH		NEXT ASSY	USED ON		APPROVED: M. REED	9/22/04	
	ASSEMBLY APPLICATION				APPROVED: J. BECHTOLD	9/22/04	PLOT SIZE SCALE: D -
							DRAWING NUMBER: 13472
							REVISION: A
CURRENT TIME/DATE/FILE LOCATION: DRAWING ARCHIVE LOCATION: http://dsvinci.as.arizona.edu/acad/default.html							SHEET 3 OF 3