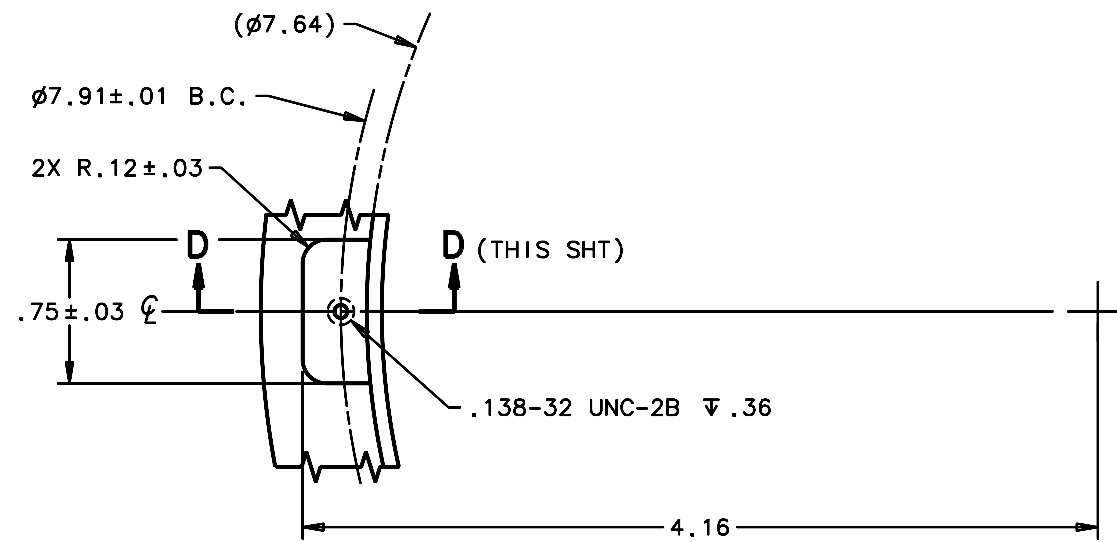
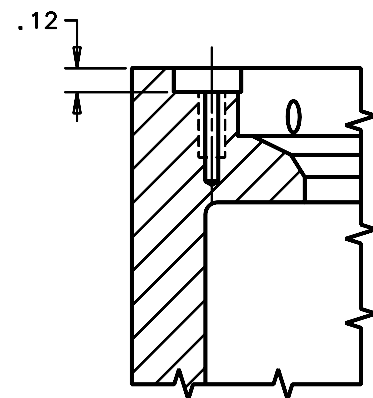


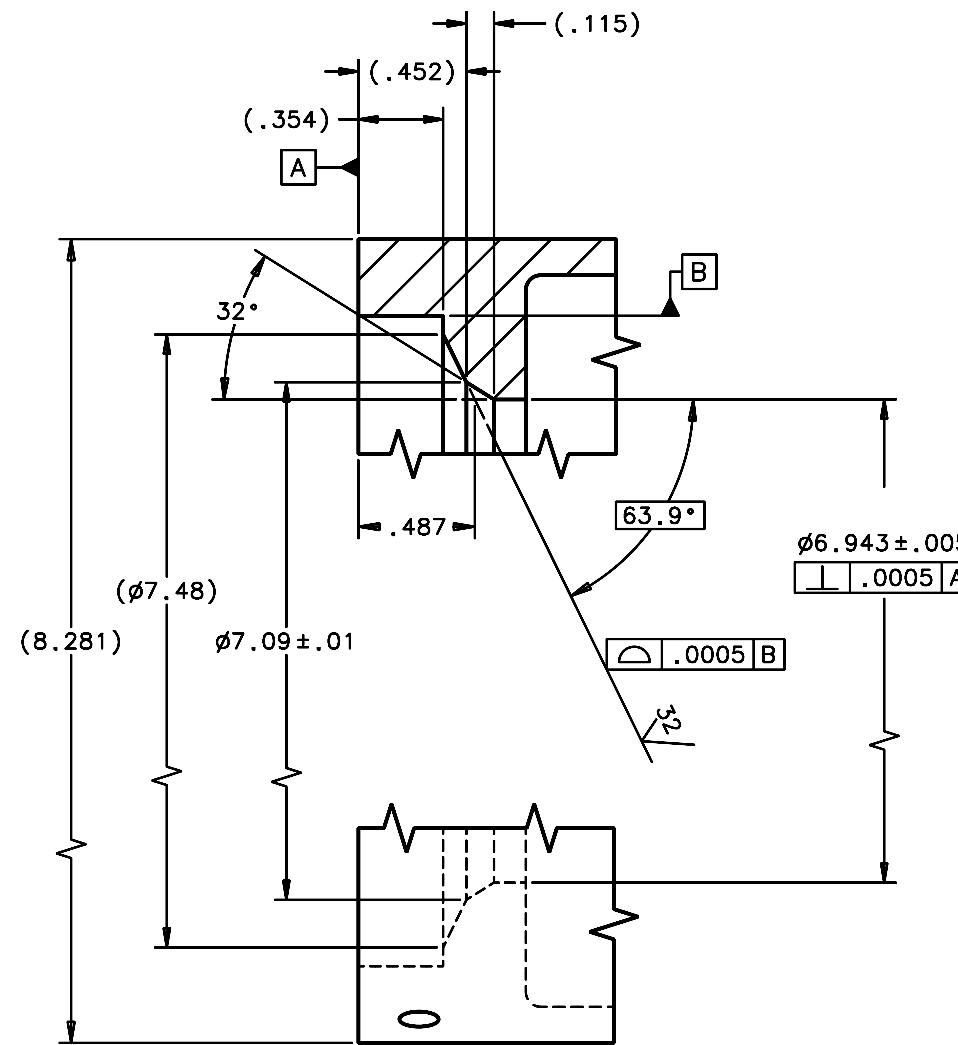
REVISIONS				
LTR	DESCRIPTION	DATE	REVISED BY	APPROVED
A	INITIAL RELEASE	9/21/04	R. NAGY	G. LANDIS
B	DETAIL E: ADDED $\phi 7.09 \pm .01$ (DWG CORRECTION: NOT A DESIGN CHANGE)	12/15/04	R. NAGY	G. LANDIS



(4X) **DETAIL C**
 (SHT 1)
 SCALE 2:1
 ROTATED 45° CW;
 NOTCH & HOLE EQUALLY SPACED AT 90°



(4X) **SECTION D-D**
 (THIS SHT)
 SCALE 2:1
 NOTCH DEPTH



DETAIL E
 (SHT 1)
 SCALE 2.5:1

DO NOT SCALE DRAWING INTERPRET DIMENSIONS AND TOLERANCES IN ACCORDANCE WITH ASME Y14.5M-94		THIS DRAWING CREATED IN: ACAD <input type="checkbox"/> MECH <input type="checkbox"/> IDEAS <input checked="" type="checkbox"/>		Steward Observatory, University of Arizona 933 N. Cherry Avenue, Tucson, AZ 85721 (520)621-7659	
TOLERANCES UNLESS OTHERWISE SPECIFIED LINEAR .XX = ±.01 .XXX = ±.005 ANGULAR ± 1° DIAMETRICAL SEE SPEC S-002		DESIGNED BY: D. DEAN	DATE: 9/3/03	CATEGORY: MMT	
MATERIAL 6061-T6 Al BILLET		DRAWN BY: R. NAGY	9/16/03	PROJECT: MAESTRO	
FINISH 4		CHECKED BY: G. LANDIS	9/21/04	TITLE: LENS CAN-LENS 1 STAGE LENS 1 CELL	
ASSEMBLY APPLICATION		APPROVED: S. MATHEWS	9/21/04	PLOT SIZE SCALE: D -	
		APPROVED: M. REED	9/21/04	DRAWING NUMBER: 13211	
		APPROVED: J. BECHTOLD	9/21/04	REVISION: C	
		CURRENT TIME/DATE/FILE LOCATION:			SHEET 3 OF 3
		DRAWING ARCHIVE LOCATION: http://dovinci.as.arizona.edu/ocod/default.html			