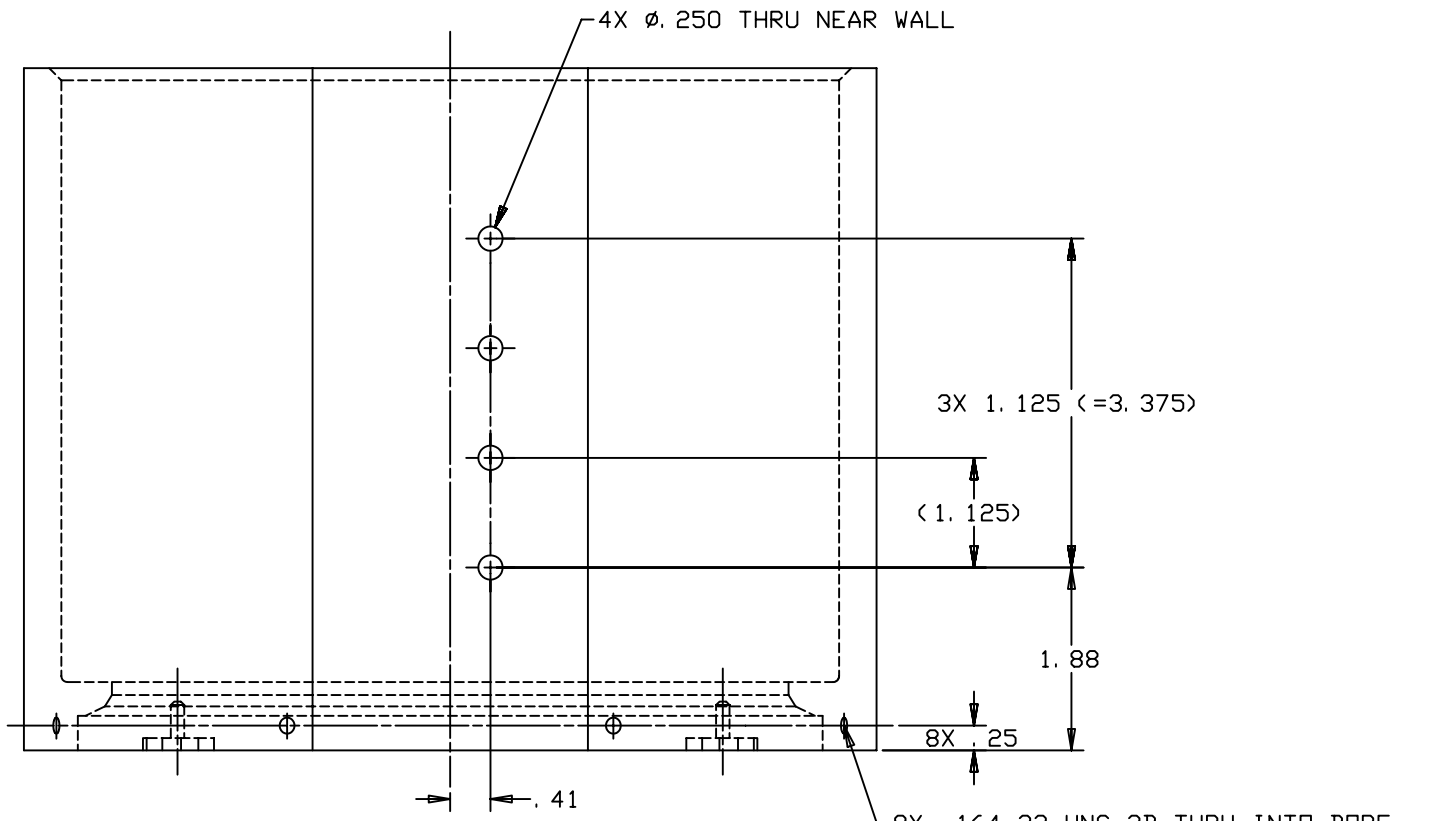
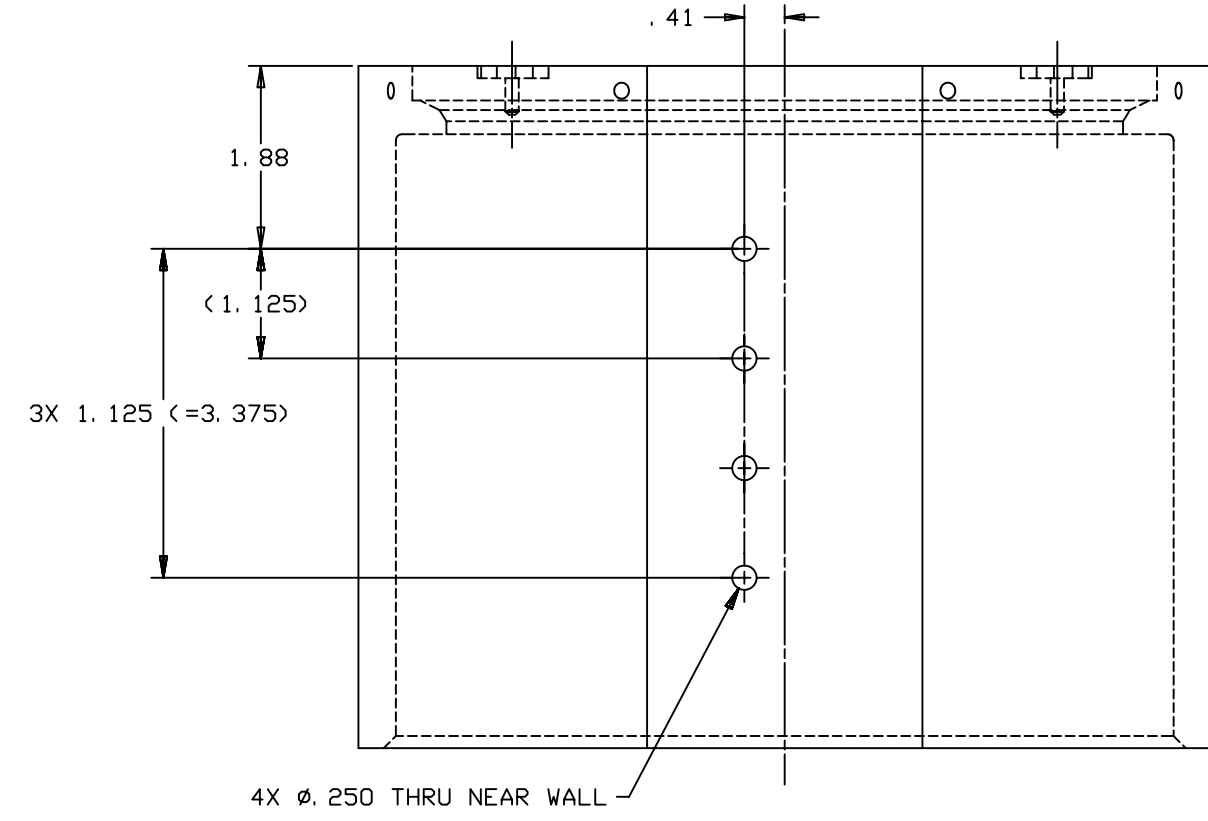


REVISIONS				
LTR	DESCRIPTION	DATE	REVISED BY	APPROVED
A	INITIAL RELEASE	9/21/04	R. NAGY	G. LANDIS
B	VIEW B-B: ADDED .41 (DWG CORRECTION: NOT A DESIGN CHANGE)	9/27/04	R. NAGY	G. LANDIS



VIEW A-A
(SHT 1)
SCALE 1:1
TOP VIEW



VIEW B-B
(SHT 1)
SCALE 1:1
BOTTOM VIEW

DO NOT SCALE DRAWING INTERPRET DIMENSIONS AND TOLERANCES IN ACCORDANCE WITH ASME Y14.5M-94		THIS DRAWING CREATED IN: ACAD <input type="checkbox"/> MECH <input type="checkbox"/> IDEAS <input checked="" type="checkbox"/>		Steward Observatory, University of Arizona 933 N. Cherry Avenue, Tucson, AZ 85721 (520)621-7659			
TOLERANCES UNLESS OTHERWISE SPECIFIED LINEAR .X = .01 .XX = .005 ANGULAR ± 1° DIAMETRICAL SEE SPEC S-002		DESIGNED BY: D. DEAN DATE: 9/3/03		CATEGORY: MMT		DRAWN BY: R. NAGY DATE: 9/16/03	
DIMENSIONS ARE IN INCHES / DIMENSIONS IN [] ARE METRIC		CHECKED BY: G. LANDIS DATE: 9/21/04		PROJECT: MAESTRO		TITLE: LENS CAN-LENS 1 STAGE LENS 1 CELL	
MATERIAL: 6061-T6 AL BILLET		APPROVED: S. MATHEWS DATE: 9/21/04		APPROVED: M. REED DATE: 9/21/04		APPROVED: J. BECHTOLD DATE: 9/21/04	
FINISH: 4		13559 MMT		PLOT SIZE: D		SCALE: -	
NEXT ASSY: USED ON		DRAWING NUMBER: 13211		REVISION: B		SHEET 2 OF 3	
ASSEMBLY APPLICATION		CURRENT TIME/DATE/FILE LOCATION:		DRAWING ARCHIVE LOCATION: http://dsvinci.as.arizona.edu/acad/default.html			