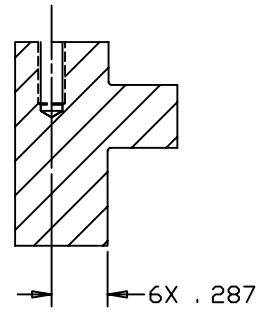
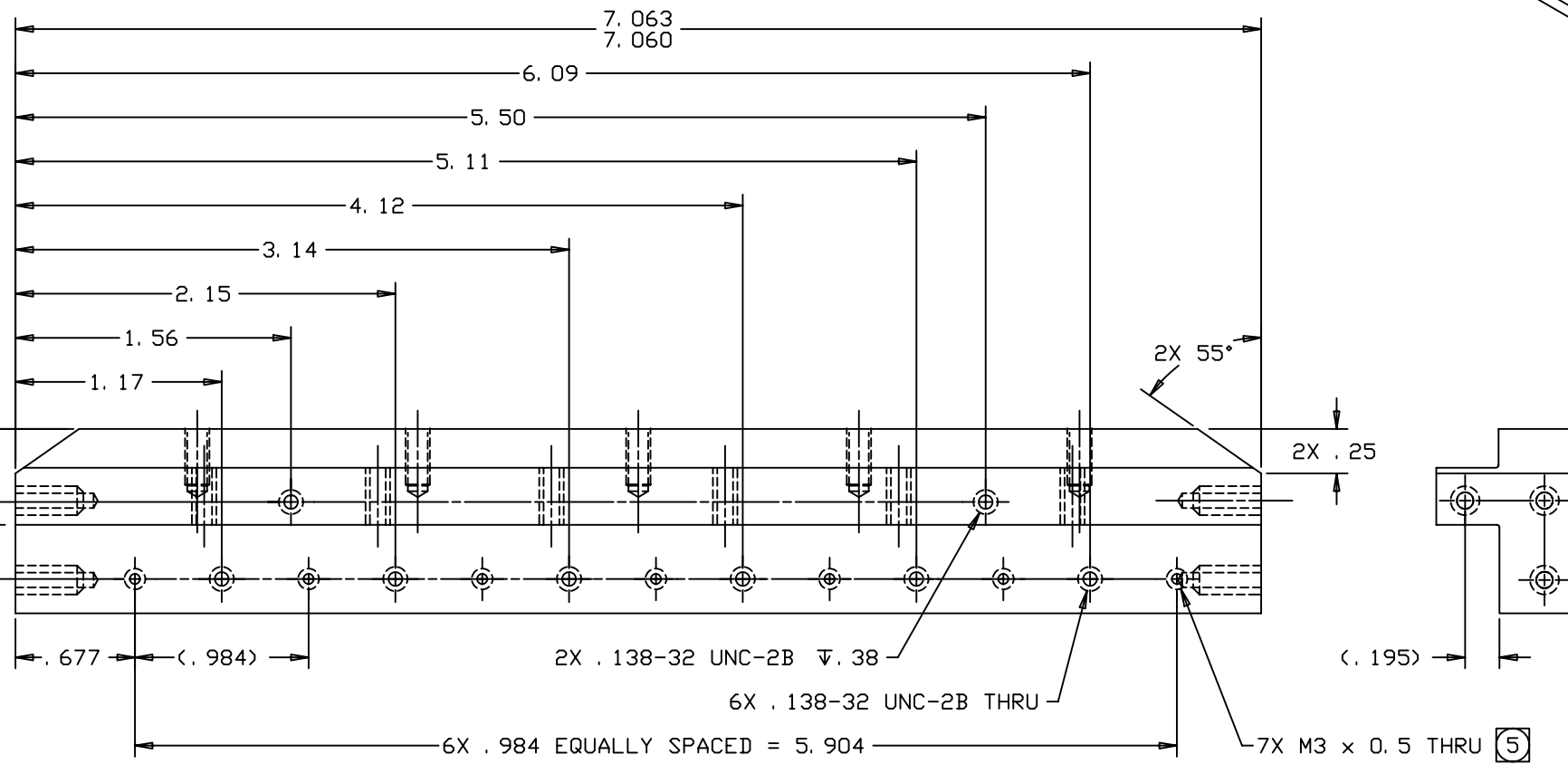
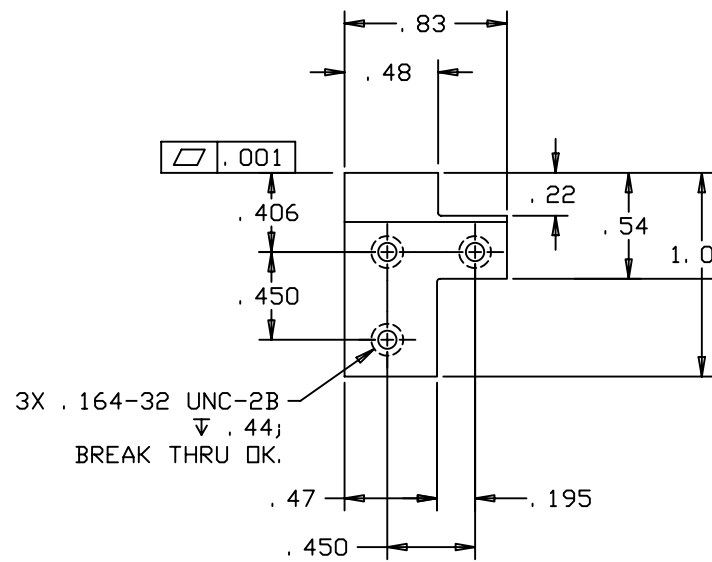
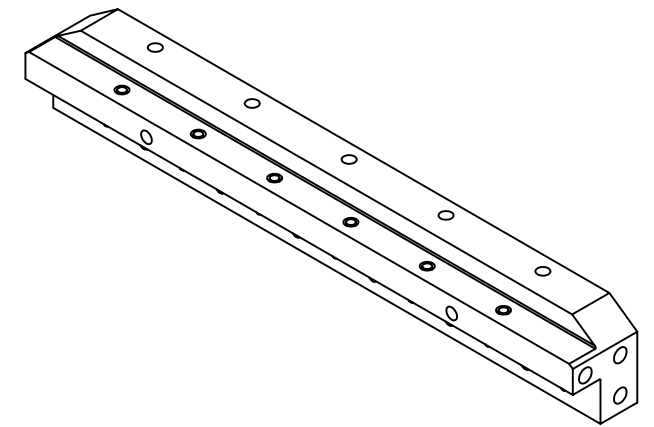
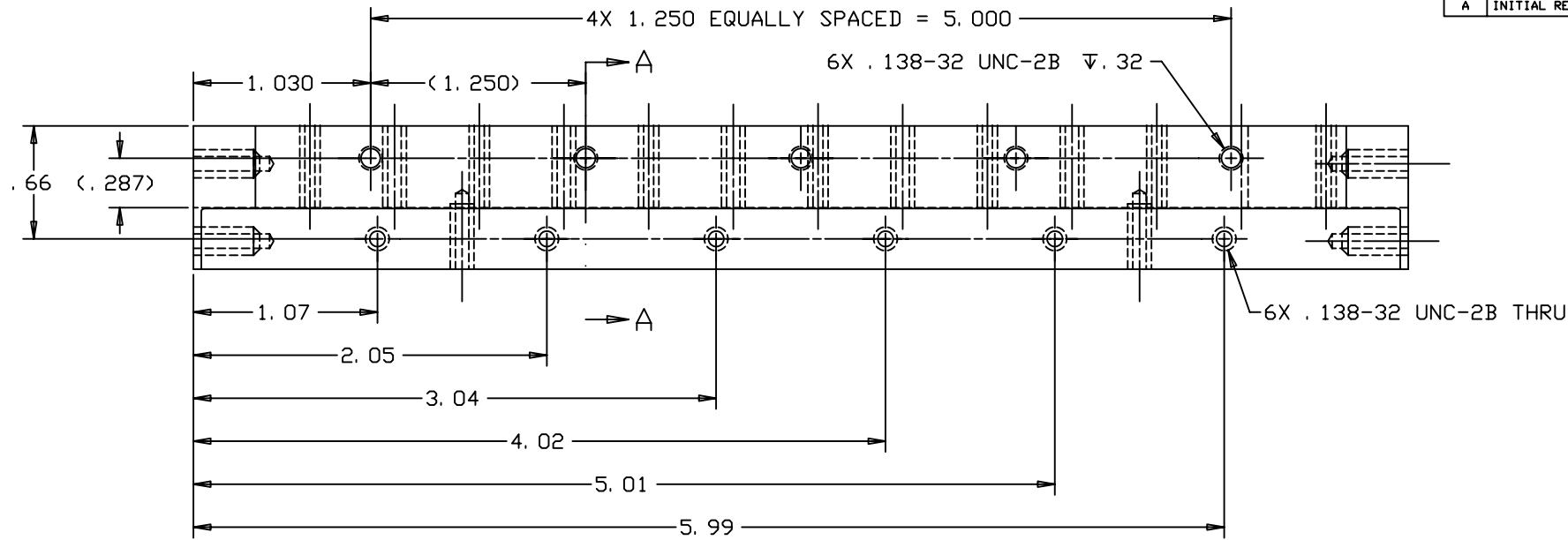


REVISIONS				
LTR	DESCRIPTION	DATE	REVISED BY	APPROVED
A	INITIAL RELEASE	9/21/04	R. NAGY	G. LANDIS



SECTION A-A

SCALE 2:1  
ROTATED 90° CCW



SCALE 2:1

DIMENSIONS TYP BOTH ENDS

NOTES:

- BREAK SHARP EDGES & DEBURR.
- MACHINED SURFACE FINISH TO BE 125 RMS OR BETTER.
- MACHINED FILLETS TO BE R.015 MAX.
- 5 METRIC THREAD.

DO NOT SCALE DRAWING INTERPRET DIMENSIONS AND TOLERANCES IN ACCORDANCE WITH ASME Y14.5M-94	THIS DRAWING CREATED IN: ACAD <input type="checkbox"/> MECH <input type="checkbox"/> IDEAS <input checked="" type="checkbox"/>	Steward Observatory, University of Arizona 933 N. Cherry Avenue, Tucson, AZ 85721 (520)621-7659		
TOLERANCES UNLESS OTHERWISE SPECIFIED LINEAR .X = NA .XX = ±.02 .XXX = ±.005 ANGULAR ± 1° DIAMETRICAL SEE SPEC S-002	DESIGNED BY: D. DEAN DRAWN BY: R. NAGY CHECKED BY: G. LANDIS APPROVED: S. MATHEWS APPROVED: M. REED	DATE: 14/4/03 12/9/03 9/21/04 9/21/04	CATEGORY: MMT PROJECT: MAESTRO TITLE: LENS CAN-LENS 1 STAGE CROSS ROLLER GUIDE STRINGER	
MATERIAL 300 SERIES CRES	13558 NEXT ASSY	MMT USED ON	APPROVED: J. BECHTOLD 9/21/04	PLOT SIZE: D SCALE: - DRAWING NUMBER: 13206 REVISION: A
FINISH NONE	ASSEMBLY APPLICATION	CURRENT TIME/DATE/FILE LOCATION: DRAWING ARCHIVE LOCATION: <a href="http://dov.inci.as.arizona.edu/acad/default.html">http://dov.inci.as.arizona.edu/acad/default.html</a>		SHEET 1 OF 1