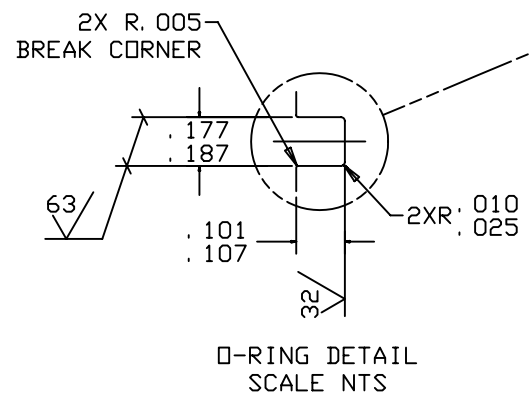
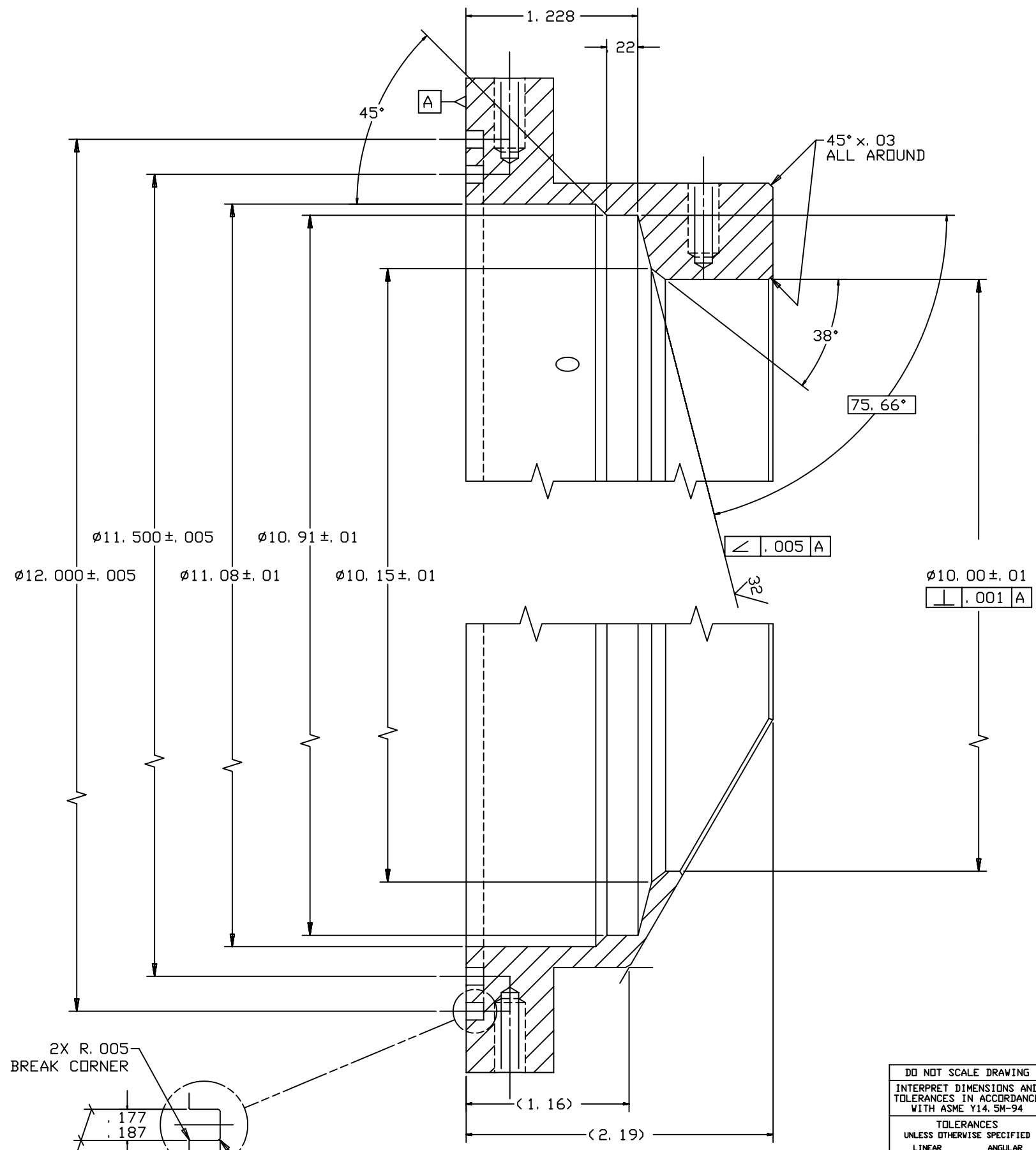


REVISIONS				
LTR	DESCRIPTION	DATE	REVISED BY	APPROVED
A	INITIAL RELEASE	4/27/04	R. NAGY	G. LANDIS
B	INCORPORATED ECD #034 (ADDED Ø10.15 x 38° BEVEL); REVISED DETAIL A & MOVED TO ADDED SHT 2	6/29/04	R. NAGY	M. REED



**DETAIL A**  
(SHT 1)  
SCALE 2.25:1

DO NOT SCALE DRAWING INTERPRET DIMENSIONS AND TOLERANCES IN ACCORDANCE WITH ASME Y14.5M-94		THIS DRAWING CREATED IN: ACAD <input type="checkbox"/> MECH <input type="checkbox"/> IDEAS <input checked="" type="checkbox"/>		Steward Observatory, University of Arizona 933 N. Cherry Avenue, Tucson, AZ 85721 (520)621-7659	
TOLERANCES UNLESS OTHERWISE SPECIFIED LINEAR .X = ±.03 .XX = ±.01 .XXX = ±.005 ANGULAR ±1° DIAMETRICAL SEE SPEC S-002		DESIGNED BY: D. DEAN	DATE: 9/3/03	CATEGORY: MMT	
DIMENSIONS ARE IN INCHES / DIMENSIONS IN [ ] ARE METRIC		DRAWN BY: R. NAGY	9/9/03	PROJECT: MAESTRO	
MATERIAL 6061-T651 Al		CHECKED BY: G. LANDIS	4/14/04	TITLE: LENS CAN-LENS 2 TO 6 LENS 6 CELL	
FINISH <input checked="" type="checkbox"/> 5		APPROVED: S. MATHEWS	4/27/04	DRAWING NUMBER: 13203	
NEXT ASSY USED ON		APPROVED: M. REED	4/27/04	REVISION: B	
ASSEMBLY APPLICATION		APPROVED: J. BECHTOLD	4/27/04	CURRENT TIME/DATE/FILE LOCATION: DRAWING ARCHIVE LOCATION: <a href="http://devinci.as.arizona.edu/acad/default.html">http://devinci.as.arizona.edu/acad/default.html</a>	
				PLOT SIZE D	SCALE: -
				SHEET 2 OF 2	