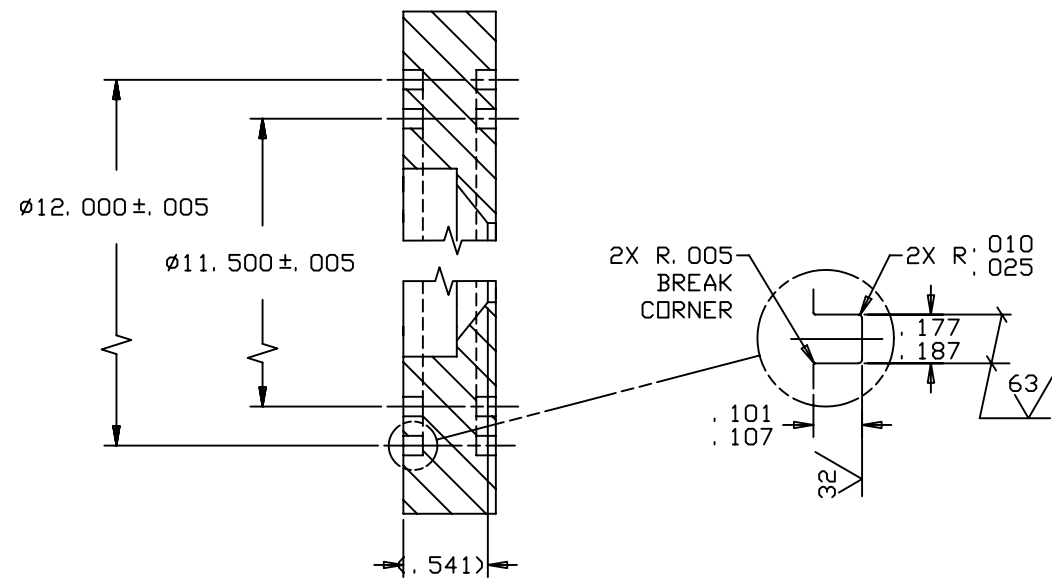
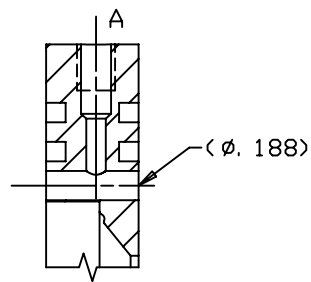


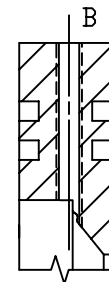
REVISIONS				
LTR	DESCRIPTION	DATE	REVISED BY	APPROVED
A	INITIAL RELEASE	4/27/04	R. NAGY	G. LANDIS



**DETAIL A**  
 (SHT 1)  
 SCALE NTS  
 TYP O-RING GROOVE DETAIL



**SECTION B-B**  
 (SHT 1)  
 SCALE NTS



**SECTION C-C**  
 (SHT 1)  
 SCALE NTS  
 ROTATED 37.5° CW

DO NOT SCALE DRAWING		THIS DRAWING CREATED IN:		Steward Observatory, University of Arizona 933 N. Cherry Avenue, Tucson, AZ 85721 (520)621-7659				
INTERPRET DIMENSIONS AND TOLERANCES IN ACCORDANCE WITH ASME Y14.5M-94		ACAD	MECH	IDEAS	DESIGNED BY:	DATE:	CATEGORY:	
TOLERANCES UNLESS OTHERWISE SPECIFIED		<input type="checkbox"/>	<input type="checkbox"/>	<input checked="" type="checkbox"/>	D. DEAN	9/3/03	MMT	
LINEAR				DRAWN BY:			PROJECT:	
ANGULAR				R. NAGY		9/10/03	MAESTRO	
.X = .01				CHECKED BY:			TITLE:	
.XX = .001				G. LANDIS		4/14/04	LENS CAN-LENS 2 TO 6	
.XXX = .0005				APPROVED:			LENS 5 CELL	
DIAMETRICAL SEE SPEC S-002				S. MATHEWS		4/27/04		
DIMENSIONS ARE IN INCHES / DIMENSIONS IN [ ] ARE METRIC				APPROVED:				
MATERIAL		13550	MMT	APPROVED:			PLOT SIZE	
6061-T651 Al		NEXT ASSY	USED ON	J. BECHTOLD		4/27/04	SCALE:	
FINISH				APPROVED:			DRAWING NUMBER:	
5		ASSEMBLY APPLICATION		CURRENT TIME/DATE/FILE LOCATION:			13202	
				DRAWING ARCHIVE LOCATION: <a href="http://devinci.as.arizona.edu/acad/default.html">http://devinci.as.arizona.edu/acad/default.html</a>			REVISION:	
							A	
							SHEET 2 OF 2	