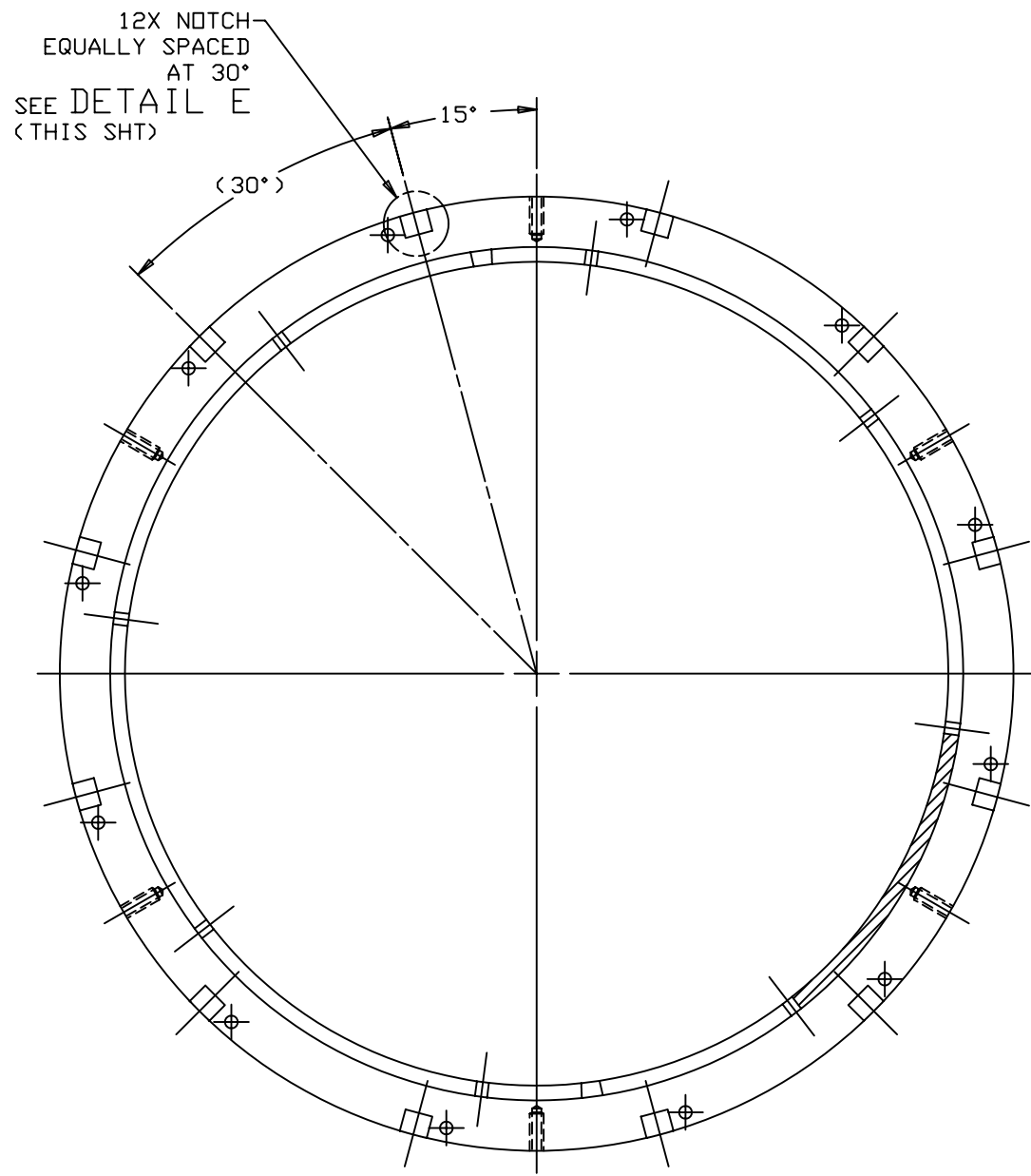
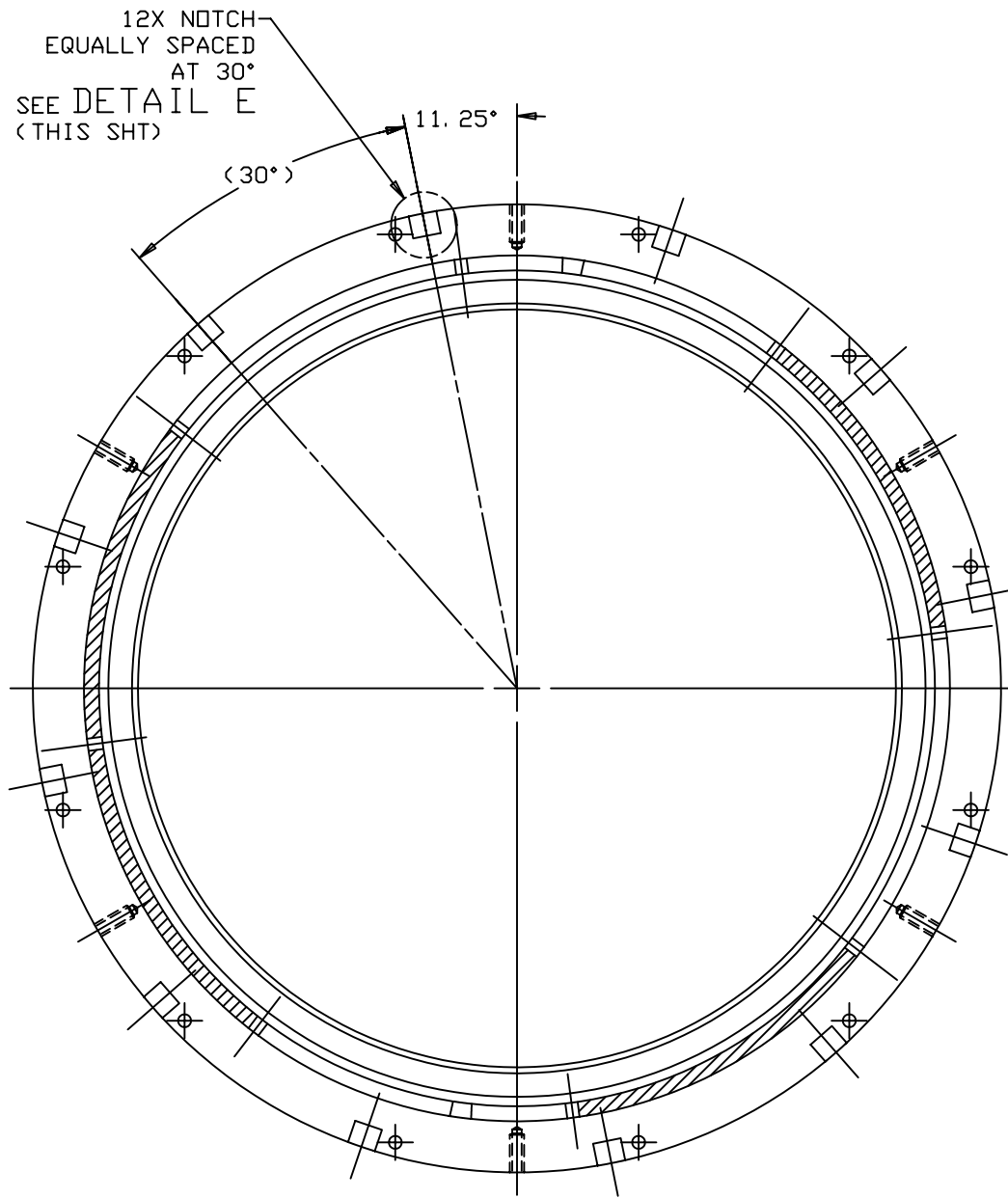


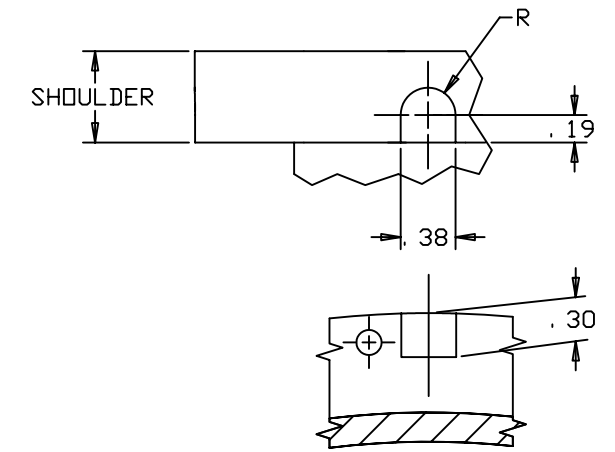
REVISIONS				
LTR	DESCRIPTION	DATE	REVISED BY	APPROVED
A	INITIAL RELEASE	4/27/04	R. NAGY	G. LANDIS
B	INCORPORATED ECO #033 (ADDED 45° x .08); REVISED DETAIL D & MOVED OTHER VIEWS TO ADDED SHT 3	6/29/04	R. NAGY	M. REED



SECTION B-B
(SHT 1)
SCALE 1:1.25
NOTCH LOCATIONS



SECTION C-C
(SHT 1)
SCALE 1:1.25
NOTCH LOCATIONS



DETAIL E
(THIS SHT)
SCALE 1.5:1
TYP NOTCH DETAIL

DO NOT SCALE DRAWING INTERPRET DIMENSIONS AND TOLERANCES IN ACCORDANCE WITH ASME Y14.5M-94		THIS DRAWING CREATED IN: ACAD <input type="checkbox"/> MECH <input type="checkbox"/> IDEAS <input checked="" type="checkbox"/>		Steward Observatory, University of Arizona 933 N. Cherry Avenue, Tucson, AZ 85721 (520)621-7659	
TOLERANCES UNLESS OTHERWISE SPECIFIED LINEAR .X = ±.03 .XX = ±.01 .XXX = ±.005 ANGULAR ±1° DIAMETRICAL SEE SPEC S-002		DESIGNED BY: D. DEAN	DATE: 9/3/03	CATEGORY: MMT	
DIMENSIONS ARE IN INCHES / DIMENSIONS IN [] ARE METRIC		DRAWN BY: R. NAGY	9/10/03	PROJECT: MAESTRO	
MATERIAL 6061-T651 Al	13550 MMT	CHECKED BY: G. LANDIS	4/14/04	TITLE: LENS CAN-LENS 2 TO 6 LENS 4 CELL	
FINISH <input checked="" type="checkbox"/> 5	NEXT ASSY USED ON	APPROVED: S. MATHEWS	4/27/04	PLOT SIZE	SCALE
ASSEMBLY APPLICATION		APPROVED: M. REED	4/27/04	D	-
CURRENT TIME/DATE/FILE LOCATION:		APPROVED: J. BECHTOLD	4/27/04	DRAWING NUMBER:	REVISION:
DRAWING ARCHIVE LOCATION: http://dev1incl.sas.arizona.edu/acad/default.html				13201	B
					SHEET 3 OF 3