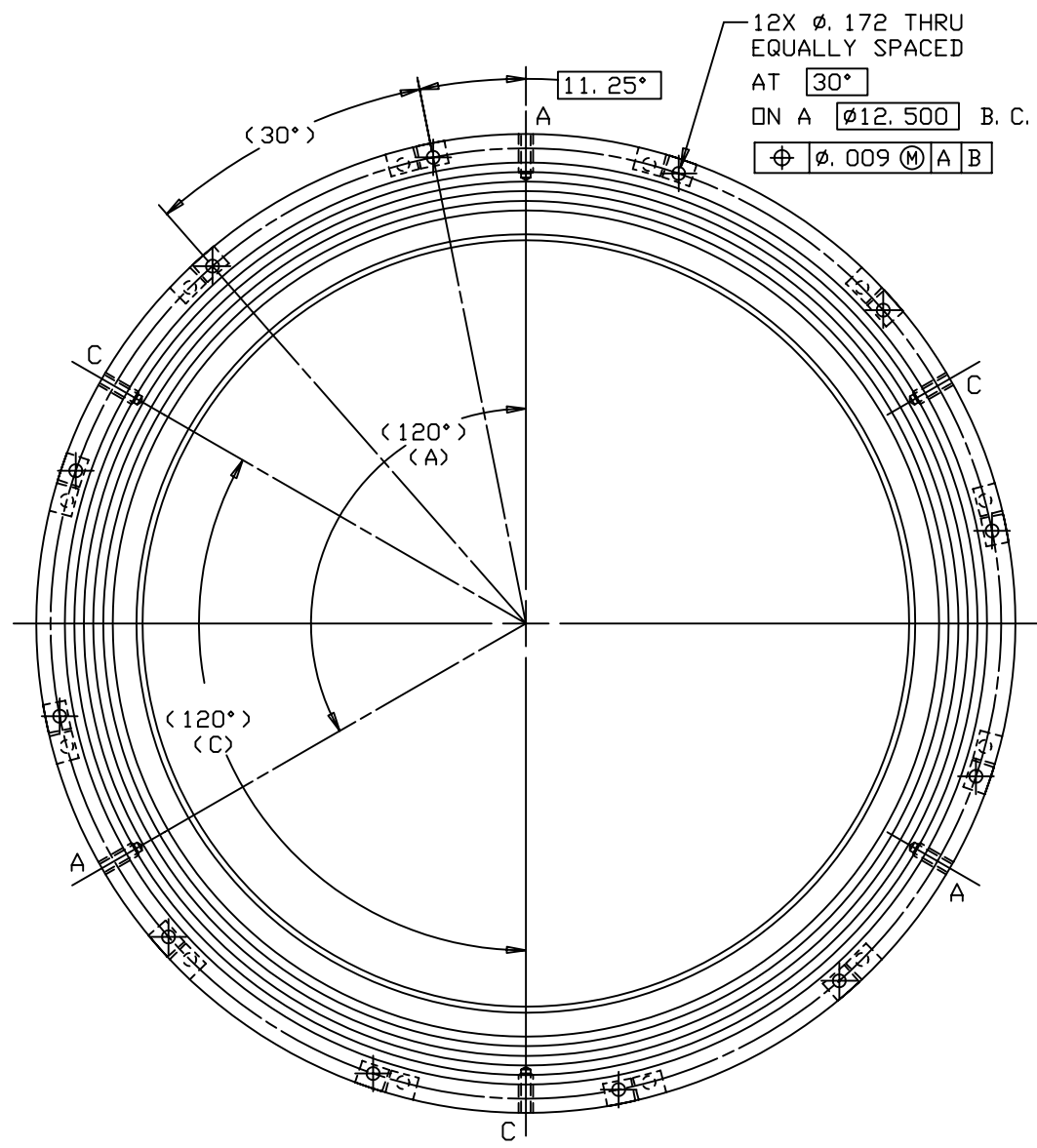
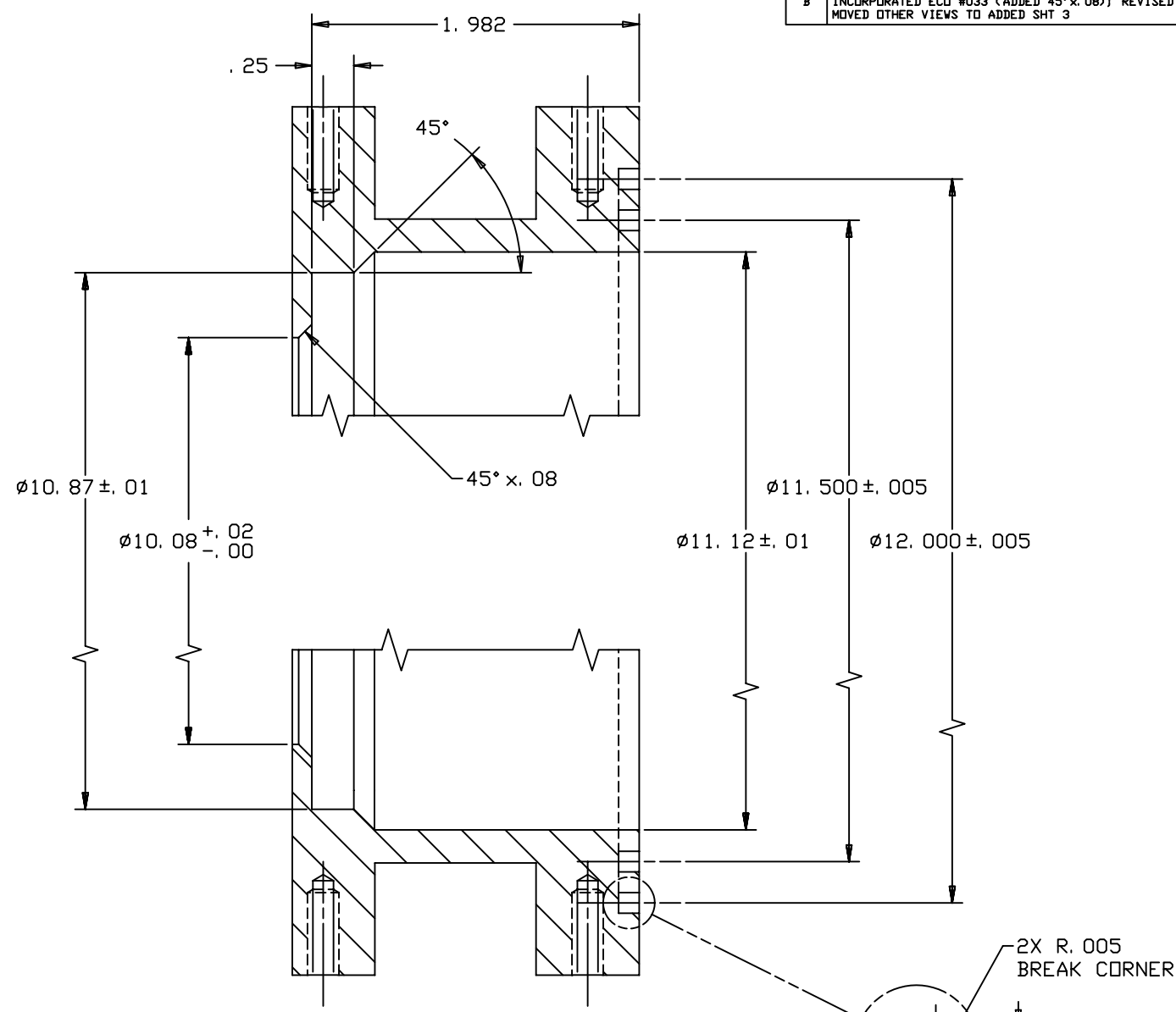


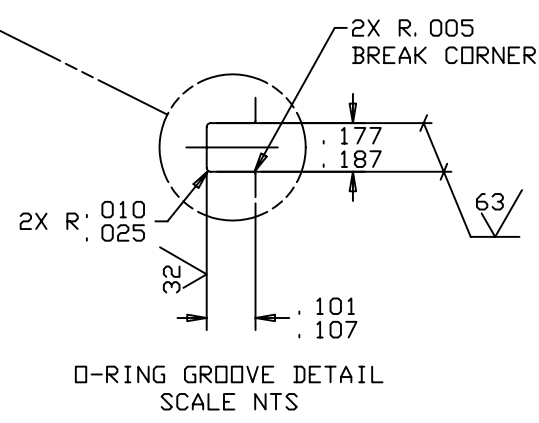
REVISIONS				
LTR	DESCRIPTION	DATE	REVISED BY	APPROVED
A	INITIAL RELEASE	4/27/04	R. NAGY	G. LANDIS
B	INCORPORATED ECO #033 (ADDED 45° x .08); REVISED DETAIL D & MOVED OTHER VIEWS TO ADDED SHT 3	6/29/04	R. NAGY	M. REED



VIEW A-A  
(SHT 1)  
SCALE 1: 1.25



DETAIL D  
(SHT 1)  
SCALE 2: 1



DO NOT SCALE DRAWING INTERPRET DIMENSIONS AND TOLERANCES IN ACCORDANCE WITH ASME Y14.5M-94	THIS DRAWING CREATED IN: ACAD <input type="checkbox"/> MECH <input type="checkbox"/> IDEAS <input checked="" type="checkbox"/>	Steward Observatory, University of Arizona 933 N. Cherry Avenue, Tucson, AZ 85721 (520)621-7659		
TOLERANCES UNLESS OTHERWISE SPECIFIED LINEAR .X = ±.03 .XX = ±.01 .XXX = ±.005 ANGULAR ±1° DIAMETRICAL SEE SPEC S-002	DESIGNED BY: D. DEAN DRAWN BY: R. NAGY CHECKED BY: G. LANDIS APPROVED: S. MATHEWS APPROVED: M. REED	DATE: 9/3/03 9/10/03 4/14/04 4/27/04 4/27/04	CATEGORY: MMT PROJECT: MAESTRO TITLE: LENS CAN-LENS 2 TO 6 LENS 4 CELL	
MATERIAL: 6061-T651 AL	13550 NEXT ASSY: USED ON	APPROVED: J. BECHTOLD 4/27/04	PLOT SIZE: D SCALE: - DRAWING NUMBER: 13201	REVISION: B
FINISH: 5	ASSEMBLY APPLICATION	CURRENT TIME/DATE/FILE LOCATION: DRAWING ARCHIVE LOCATION: <a href="http://devinci1.as.arizona.edu/acad/default.html">http://devinci1.as.arizona.edu/acad/default.html</a>		SHEET 2 OF 3