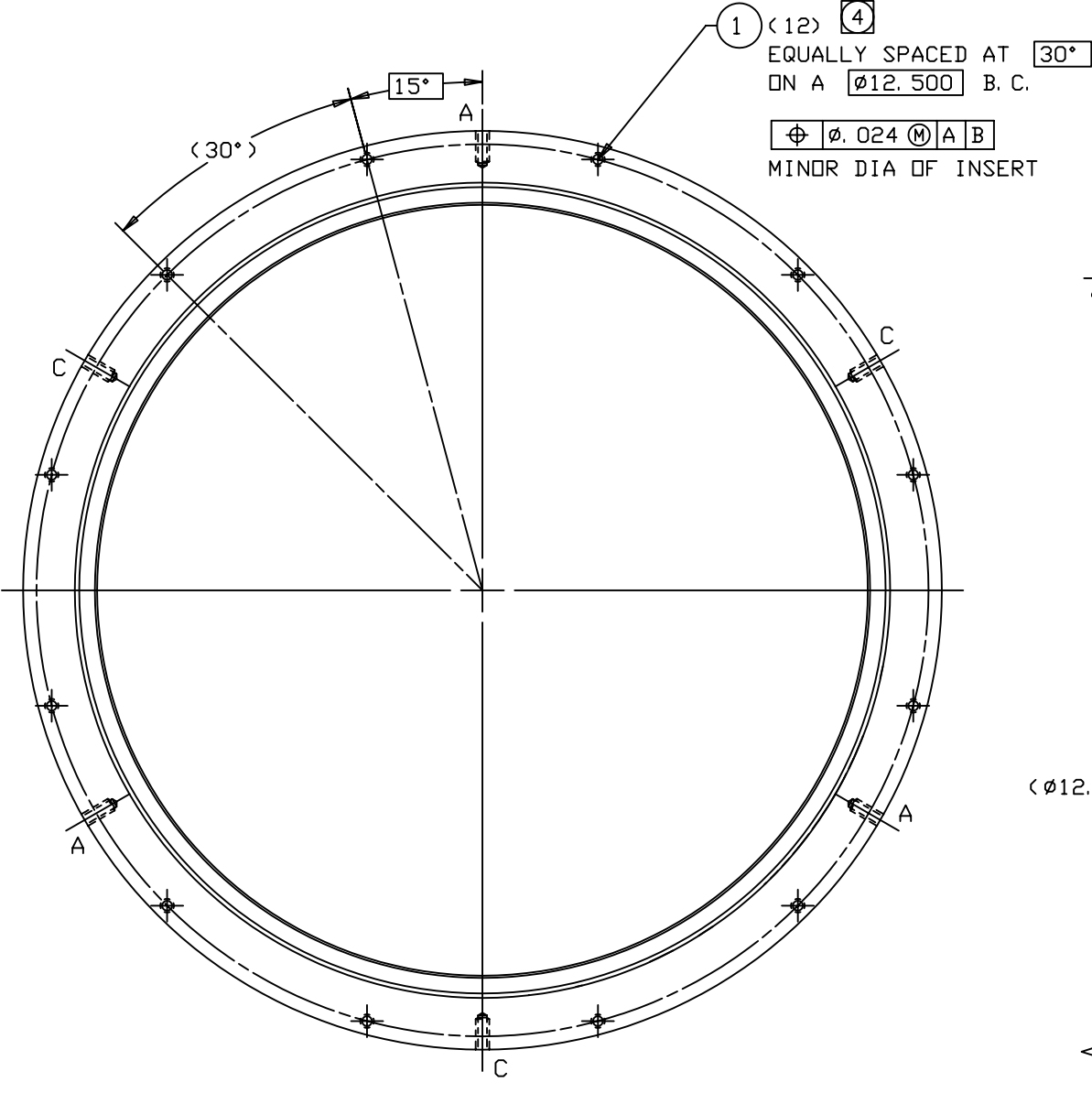
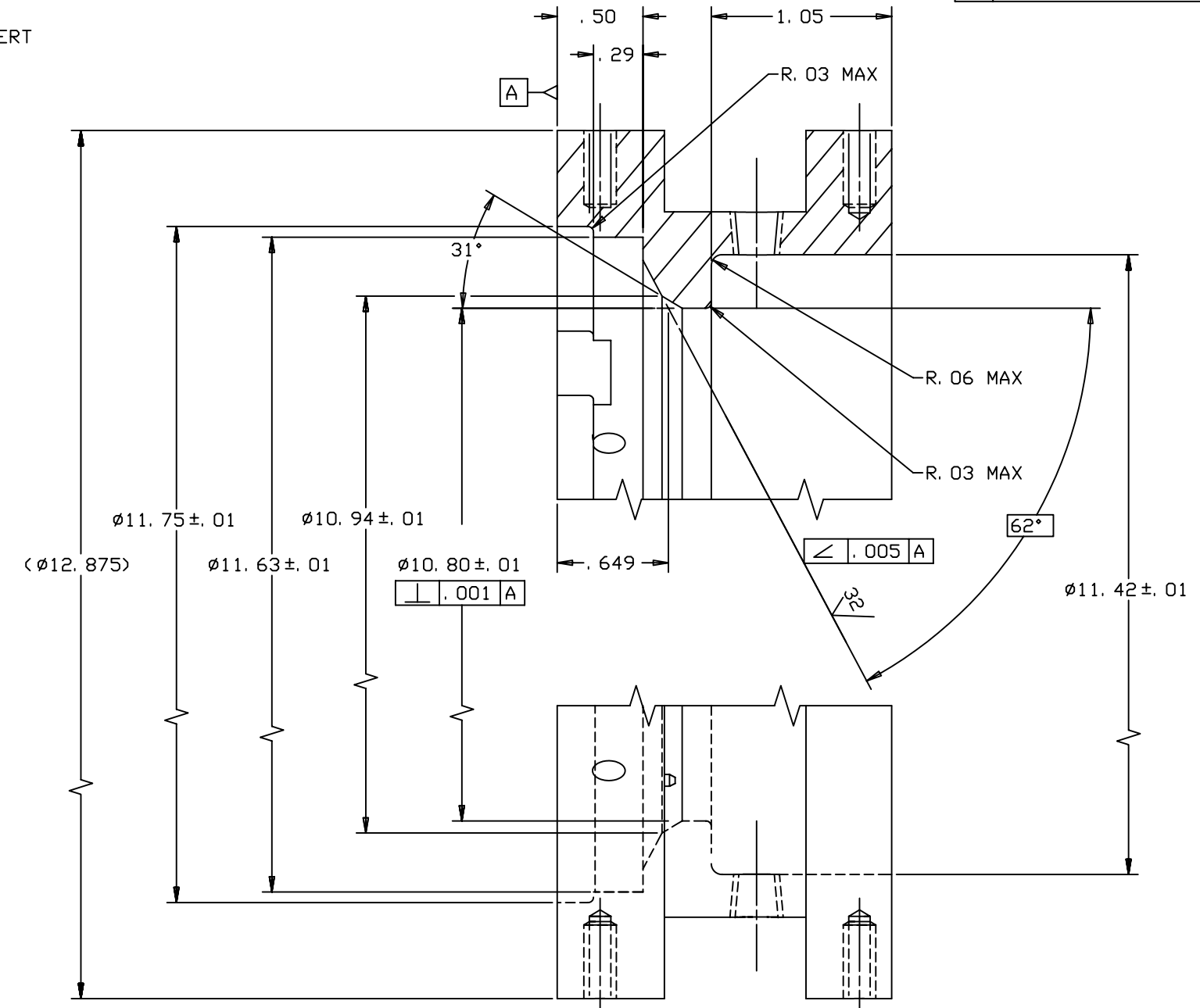


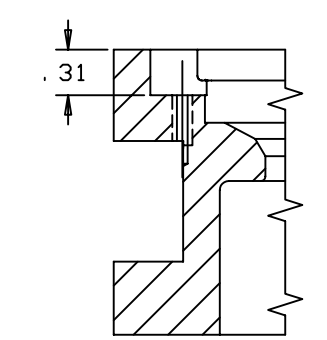
REVISIONS				
LTR	DESCRIPTION	DATE	REVISED BY	APPROVED
A	INITIAL RELEASE	10/2/03	R. NAGY	S. MATHEWS
B	'B' HOLE WAS .190-32; Ø11.629 WAS Ø11.649; .29 RTV AREA WAS .28; REDIMENSIONED LENS AREA; DELETED RUNOUT FROM Ø11.925; ADDED 'C' HOLES & INSERTS AT 'A'; DET B & Ø11.75; DET C & SECT D-D FOR NOTCH & TAPPED HOLE; .062-27NPT; ADDITIONAL RADII IN DET B; NOTE 7	4/27/04	R. NAGY	G. LANDIS
C	INCORPORATED ECD #032 (ADDED Ø10.94 x 31° BEVEL)	6/29/04	R. NAGY	M. REED



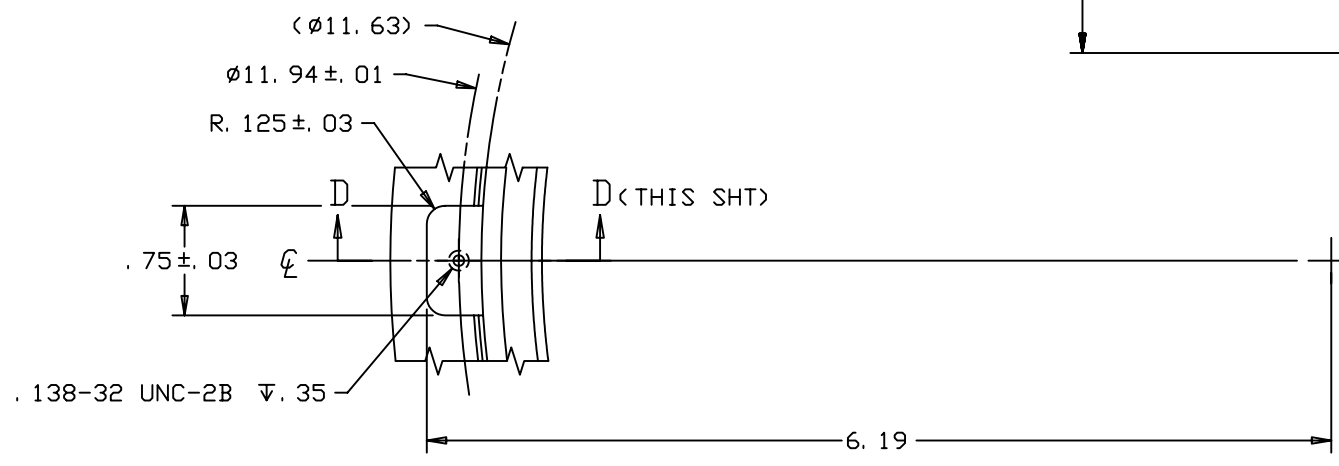
VIEW A-A
(SHT 1)
SCALE 1: 1.25



DETAIL B
(SHT 1)
SCALE 2.25: 1



(6x) SECTION D-D
(SHT 1)
SCALE 1.5: 1



(6x) DETAIL C
(SHT 1)
SCALE 1.5: 1
NOTCH & HOLE EQUALLY SPACED AT 60°

DO NOT SCALE DRAWING INTERPRET DIMENSIONS AND TOLERANCES IN ACCORDANCE WITH ASME Y14.5M-94	THIS DRAWING CREATED IN: ACAD <input type="checkbox"/> MECH <input type="checkbox"/> IDEAS <input checked="" type="checkbox"/>	Steward Observatory, University of Arizona 933 N. Cherry Avenue, Tucson, AZ 85721 (520)621-7659		
TOLERANCES UNLESS OTHERWISE SPECIFIED LINEAR .X = ±.03 .XX = ±.01 .XXX = ±.005 ANGULAR ±1° DIAMETRICAL SEE SPEC S-002	DESIGNED BY: D. DEAN DRAWN BY: R. NAGY CHECKED BY: G. LANDIS APPROVED: S. MATHEWS APPROVED: M. REED	DATE: 9/3/03 9/3/03 10/2/03 10/2/03 4/27/04	CATEGORY: MMT PROJECT: MAESTRO TITLE: LENS CAN-LENS 2 TO 6 LENS 3 CELL	
MATERIAL: 6061-T651 Al	13473 NEXT ASSY	MMT USED ON	APPROVED: J. BECHTOLD DATE: 4/27/04	PLOT SIZE: D SCALE: - DRAWING NUMBER: 13200 REVISION: C
FINISH: 5	ASSEMBLY APPLICATION	CURRENT TIME/DATE/FILE LOCATION: DRAWING ARCHIVE LOCATION: http://dev1nc1.as.arizona.edu/acad/default.html		SHEET 2 OF 2