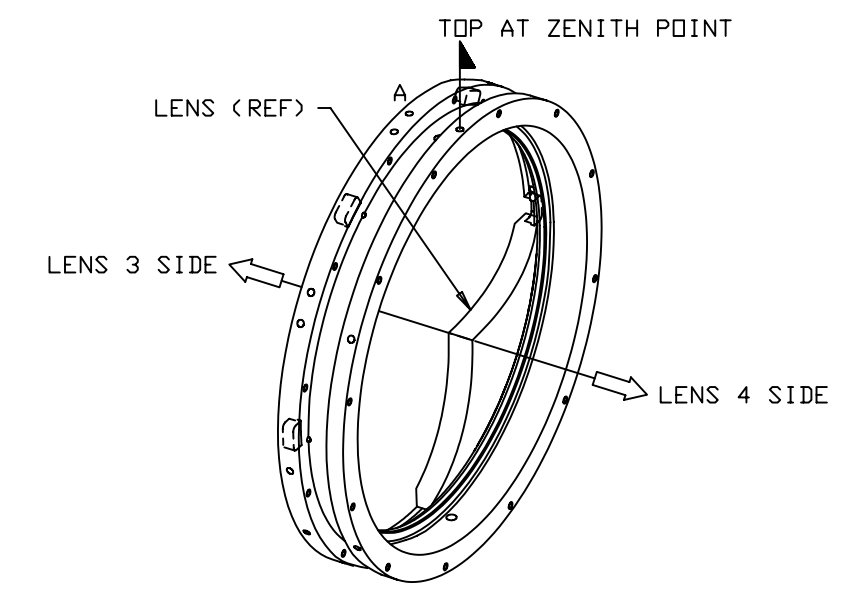
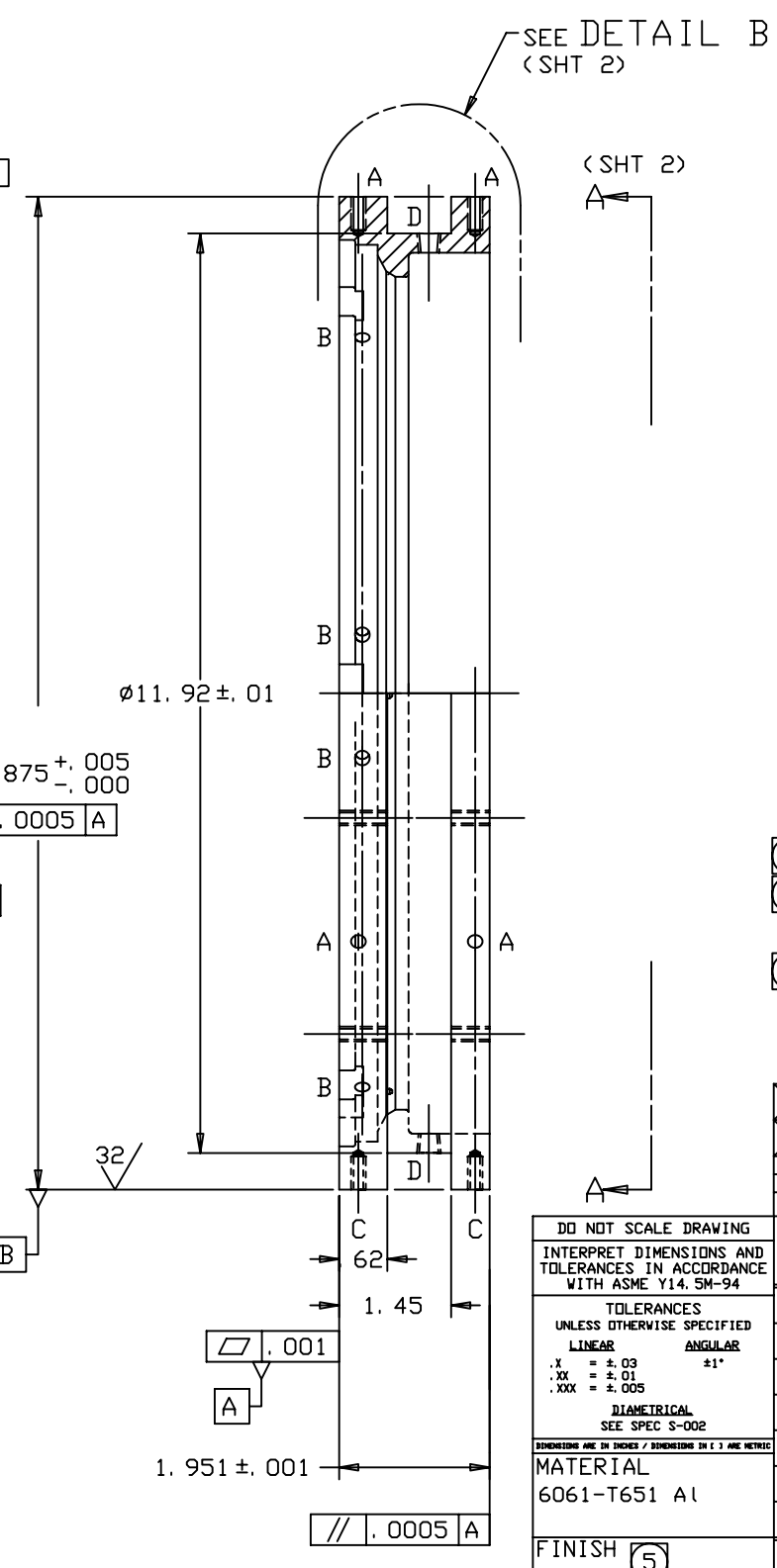
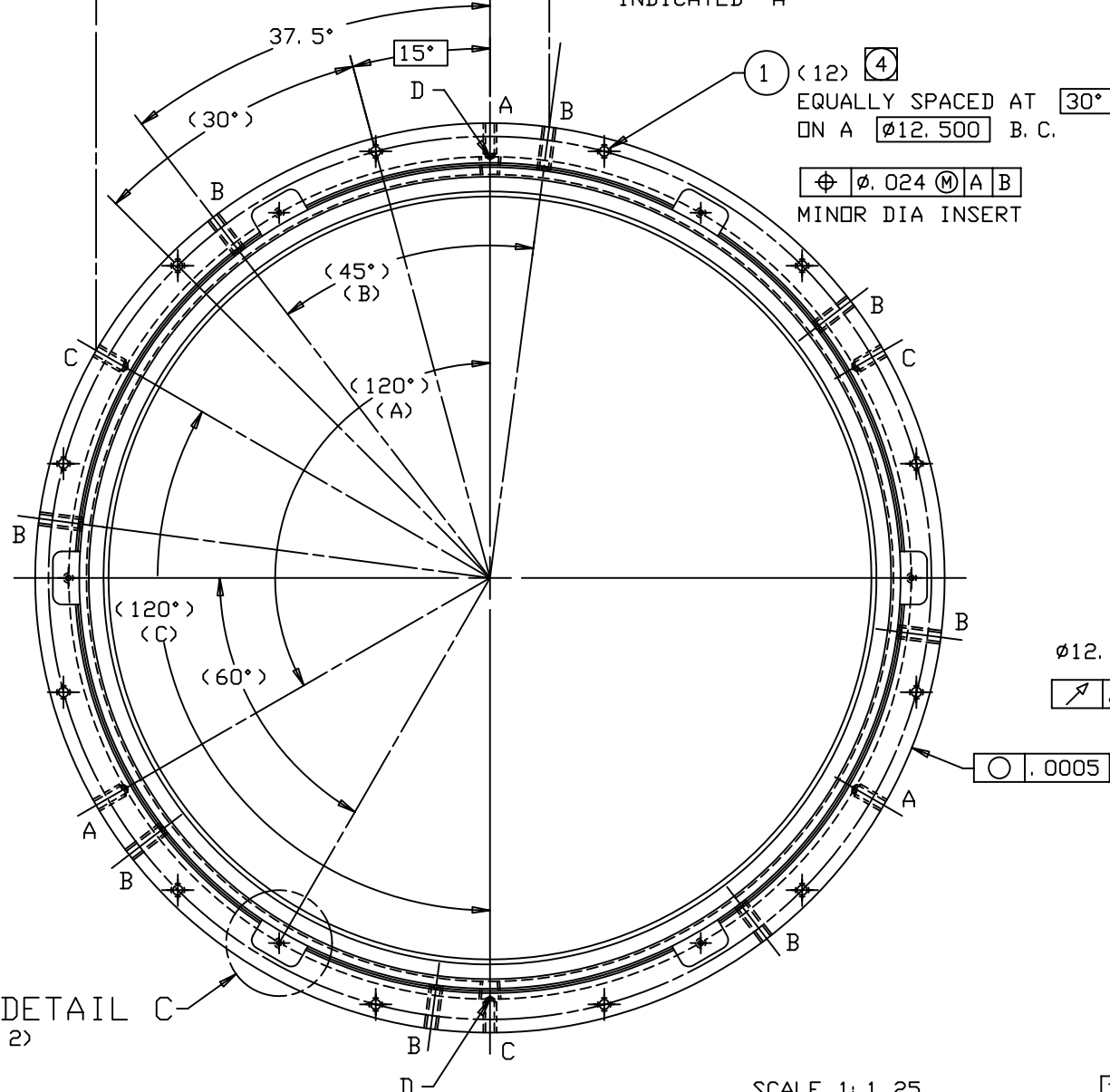
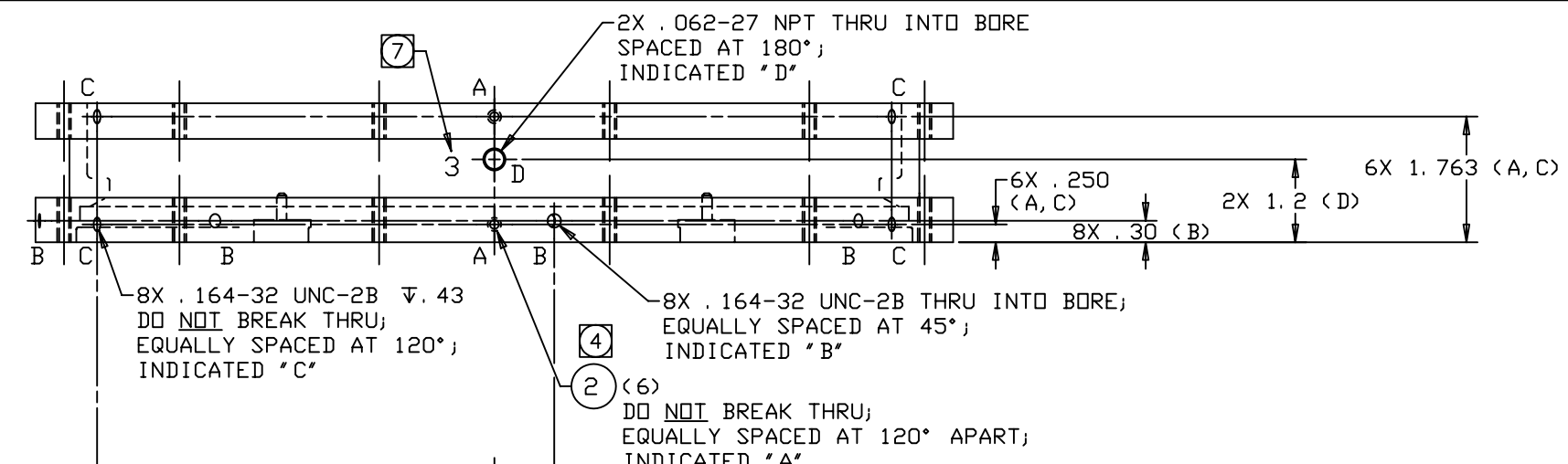


REVISIONS				
LTR	DESCRIPTION	DATE	REVISED BY	APPROVED
A	INITIAL RELEASE	10/2/03	R. NAGY	S. MATHEWS
B	"B" HOLE WAS .190-32; #11.629 WAS #11.649; .29 RTV AREA WAS .28; REDIMENSIONED LENS AREA; DELETED RUNOUT FROM #11.925; ADDED "C" HOLES & INSERTS AT "A"; DET B & #11.75; DET C & SECT D-D FOR NOTCH & TAPPED HOLE; .062-27NPT; ADDITIONAL RADII IN DET B; NOTE 7	4/27/04	R. NAGY	G. LANDIS
C	INCORPORATED ECD #032 (ADDED #10.94 x 31° BEVEL)	6/29/04	R. NAGY	M. REED



- NOTES: UNLESS OTHERWISE SPECIFIED
- BREAK SHARP EDGES & DEBURR.
  - MACHINED SURFACE FINISH TO BE 125 RMS OR BETTER.
  - MACHINED FILLETS TO BE .015 MAX.
  - INSTALL INSERTS PER MANUFACTURER'S RECOMMENDATIONS.
  - ANODIZE PER MIL-A-8625, TYPE II, CLASS 2, BLACK.
  - DIMENSIONS ARE PRIOR TO ANODIZING.
  - BEFORE ANODIZING, PERMANENTLY MARK THE NUMBER "3" WITH .18-.25 HIGH CHARACTERS APPROXIMATELY WHERE SHOWN.

QTY PER ASSY	PART NUMBER	PART DESCRIPTION	MANUFACTURER or MAT'L SPEC	ITEM NO.
6	90296A112	SCREW-LOCK HELICAL INSERT, .164-32 UNC x .246 LG, SST	MCMaster-CARR OR EQUIV.	2
24	90296A107	SCREW-LOCK HELICAL INSERT, .138-32 UNC x .207 LG, SST	MCMaster-CARR OR EQUIV.	1

DO NOT SCALE DRAWING  
 INTERPRET DIMENSIONS AND TOLERANCES IN ACCORDANCE WITH ASME Y14.5M-94

THIS DRAWING CREATED IN:  
 ACAD  MECH  IDEAS

TOLERANCES UNLESS OTHERWISE SPECIFIED  
 LINEAR: .X = ±.03, .XX = ±.01, .XXX = ±.005  
 ANGULAR: ±1°  
 DIAMETRICAL: SEE SPEC S-002

MATERIAL: 6061-T651 A1

FINISH: 5

Steward Observatory, University of Arizona  
 933 N. Cherry Avenue, Tucson, AZ 85721 (520)621-7659

DESIGNED BY: D. DEAN DATE: 9/3/03 CATEGORY: MMT  
 DRAWN BY: R. NAGY DATE: 9/3/03 PROJECT: MAESTRO  
 CHECKED BY: G. LANDIS DATE: 10/2/03 TITLE: LENS CAN-LENS 2 TO 6 LENS 3 CELL  
 APPROVED: S. MATHEWS DATE: 10/2/03  
 APPROVED: M. REED DATE: 4/27/04  
 APPROVED: J. BECHTOLD DATE: 4/27/04

13473 MMT PLOT SIZE: D SCALE: - DRAWING NUMBER: 13200 REVISION: C

ASSEMBLY APPLICATION CURRENT TIME/DATE/FILE LOCATION: DRAWING ARCHIVE LOCATION: http://devinci.as.arizona.edu/acad/default.html SHEET 1 OF 2