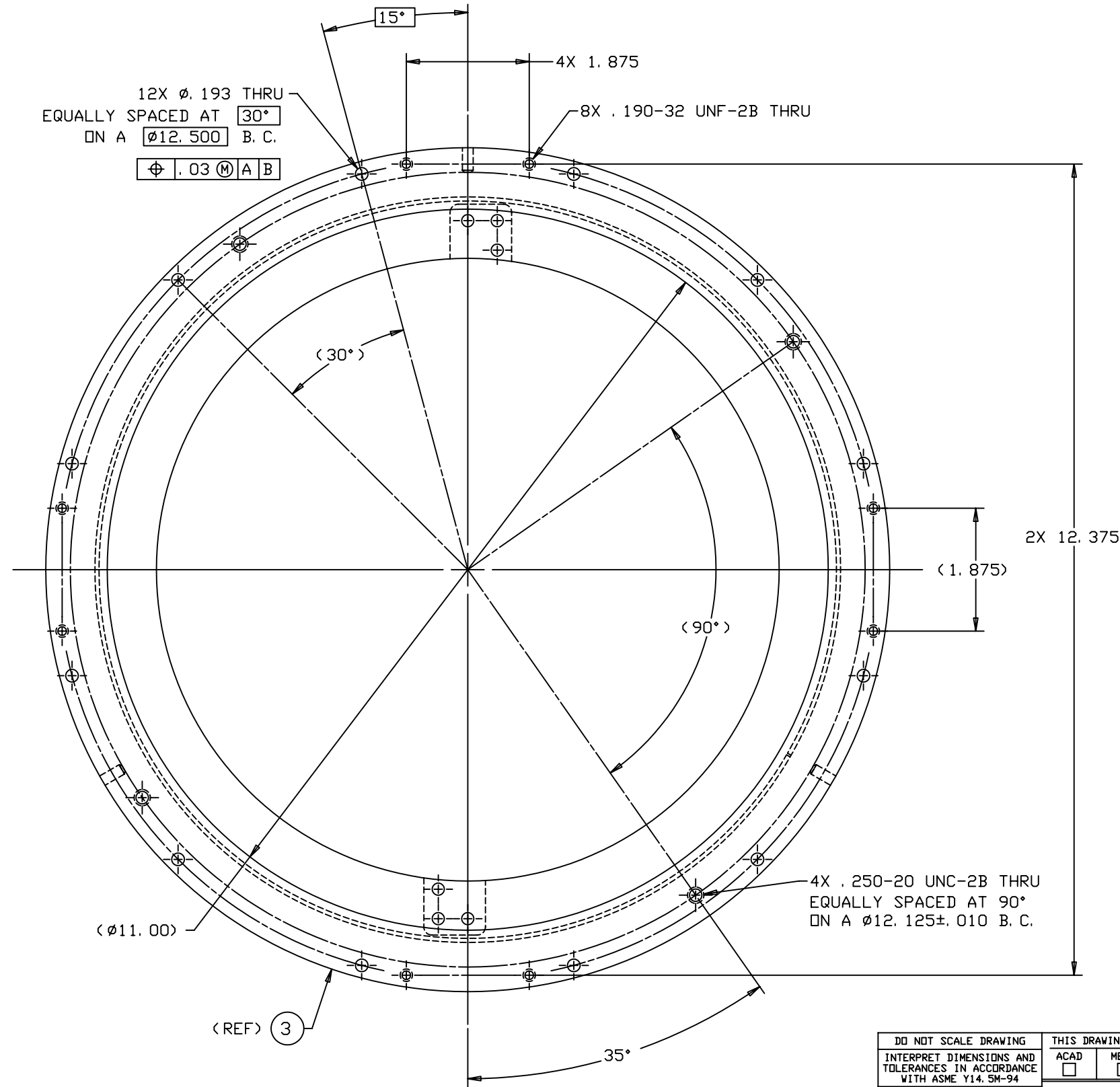


REVISIONS				
LTR	DESCRIPTION	DATE	REVISED BY	APPROVED
A	INITIAL RELEASE	8/17/04	R. NAGY	G. LANDIS



12X  $\phi$ .193 THRU  
EQUALLY SPACED AT  $30^\circ$   
ON A  $\phi$ 12.500 B. C.

$\phi$ .03 M A B

4X 1.875

8X .190-32 UNF-2B THRU

2X 12.375

(1.875)

(90°)

( $\phi$ 11.00)

4X .250-20 UNC-2B THRU  
EQUALLY SPACED AT  $90^\circ$   
ON A  $\phi$ 12.125 $\pm$ .010 B. C.

(REF) 3

35°

VIEW B-B  
(SHT 1)  
SCALE 1:1

DO NOT SCALE DRAWING	THIS DRAWING CREATED IN:	Steward Observatory, University of Arizona 933 N. Cherry Avenue, Tucson, AZ 85721 (520)621-7659		
INTERPRET DIMENSIONS AND TOLERANCES IN ACCORDANCE WITH ASME Y14.5M-94	ACAD <input type="checkbox"/> MECH <input type="checkbox"/> IDEAS <input checked="" type="checkbox"/>	DESIGNED BY: D. DEAN	DATE: 11/19/03	CATEGORY: MMT
TOLERANCES UNLESS OTHERWISE SPECIFIED LINEAR .X = NA .XX = $\pm$ .01 .XXX = $\pm$ .005 ANGULAR $\pm$ 1° DIAMETRICAL SEE SPEC S-002		DRAWN BY: R. NAGY	12/15/03	PROJECT: MAESTRO
DIMENSIONS ARE IN INCHES / DIMENSIONS IN [ ] ARE METRIC		CHECKED BY: G. LANDIS	8/17/04	TITLE: LENS CAN-LENS 1 STAGE LENS 1 TO 2 SPOOL WELDMENT
MATERIAL INVAR 36 ALLOY	13560 MMT	APPROVED: S. MATHEWS	8/17/04	
FINISH 6	NEXT ASSY USED ON	APPROVED: M. REED	8/17/04	
ASSEMBLY APPLICATION		APPROVED: J. BECHTOLD	8/17/04	PLOT SIZE SCALE: DRAWING NUMBER: REVISION: D - 13197 A
		CURRENT TIME/DATE/FILE LOCATION: DRAWING ARCHIVE LOCATION: <a href="http://devinci1.as.arizona.edu/acad/default.html">http://devinci1.as.arizona.edu/acad/default.html</a>		SHEET 3 OF 4