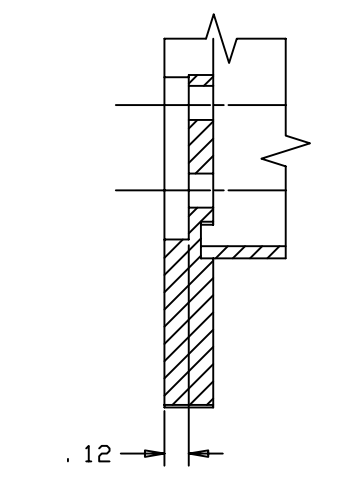
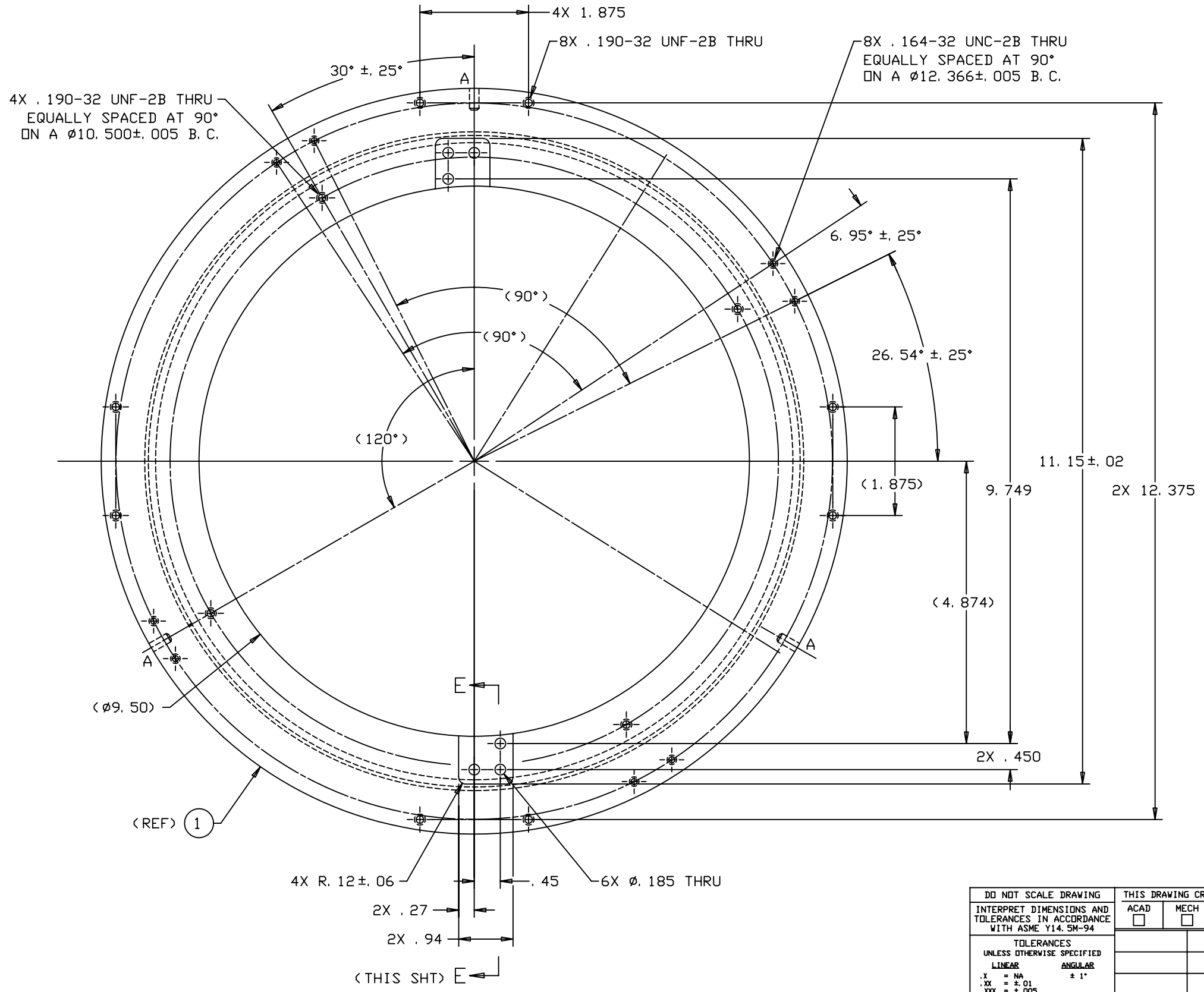


REVISIONS				
LTR	DESCRIPTION	DATE	REVISED BY	APPROVED
A	INITIAL RELEASE	8/17/04	R. NAGY	G. LANDIS



(2X) SECTION E-E
(THIS SHT)
SCALE 2:1

4X R.12±.06
2X .27
.45
6X Ø.185 THRU
2X .94

(THIS SHT) E
VIEW A-A
(SHT 1)
SCALE 1:1

DO NOT SCALE DRAWING	THIS DRAWING CREATED IN:	Steward Observatory, University of Arizona 933 N. Cherry Avenue, Tucson, AZ 85721 (520)621-7659		
INTERPRET DIMENSIONS AND TOLERANCES IN ACCORDANCE WITH ASME Y14.5M-94	ACAD <input type="checkbox"/> MECH <input type="checkbox"/> IDEAS <input checked="" type="checkbox"/>	DESIGNED BY: D. DEAN	DATE: 11/19/03	CATEGORY: MMT
TOLERANCES UNLESS OTHERWISE SPECIFIED LINEAR .X = ±.01 .XX = ±.01 .XXX = ±.005 ANGULAR ± 1° DIAMETRICAL SEE SPEC S-002		DRAWN BY: R. NAGY	12/15/03	PROJECT: MAESTRO
DIMENSIONS ARE IN INCHES / DIMENSIONS IN [] ARE METRIC		CHECKED BY: G. LANDIS	8/17/04	TITLE: LENS CAN-LENS 1 STAGE LENS 1 TO 2 SPOOL WELDMENT
MATERIAL INVAR 36 ALLOY	13560 MMT	APPROVED: S. MATHEWS	8/17/04	
FINISH 6	NEXT ASSY USED ON	APPROVED: M. REED	8/17/04	
ASSEMBLY APPLICATION		APPROVED: J. BECHTOLD	8/17/04	PLOT SIZE SCALE: D -
				DRAWING NUMBER: 13197
				REVISION: A
				SHEET 2 OF 4